



**Hewlett Packard**  
Enterprise

## HPE ProLiant ML350 Gen11 Server Maintenance and Service Guide

Part Number: 30-DC5683BF-007a  
Published: January 2025  
Edition: 7a

# HPE ProLiant ML350 Gen11 Server Maintenance and Service Guide

## Abstract

This document is for the person who installs, administers, and troubleshoots servers and storage systems. Hewlett Packard Enterprise assumes you are qualified in the servicing of computer equipment, trained in recognizing hazards in products with hazardous energy levels, and are familiar with the weight and stability precautions for rack installations.

Part Number: 30-DC5683BF-007a

Published: January 2025

Edition: 7a

© Copyright 2023–2025 Hewlett Packard Enterprise Development LP

## Notices

The information contained herein is subject to change without notice. The only warranties for Hewlett Packard Enterprise products and services are set forth in the express warranty statements accompanying such products and services. Nothing herein should be construed as constituting an additional warranty. Hewlett Packard Enterprise shall not be liable for technical or editorial errors or omissions contained herein.

Confidential computer software. Valid license from Hewlett Packard Enterprise required for possession, use, or copying. Consistent with FAR 12.211 and 12.212, Commercial Computer Software, Computer Software Documentation, and Technical Data for Commercial Items are licensed to the U.S. Government under vendor's standard commercial license.

Links to third-party websites take you outside the Hewlett Packard Enterprise website. Hewlett Packard Enterprise has no control over and is not responsible for information outside the Hewlett Packard Enterprise website.

## Acknowledgments

Intel®, Intel® Virtual RAID on CPU (Intel® VROC), and Xeon® are trademarks of Intel Corporation in the U.S. and other countries.

Linux® is the registered trademark of Linus Torvalds in the U.S. and other countries.

Microsoft®, Windows®, and Windows Server® are either registered trademarks or trademarks of Microsoft Corporation in the United States and/or other countries.

NVIDIA® and Tensor Cores are trademarks and/or registered trademarks of NVIDIA Corporation in the U.S. and other countries.

VMware® is a registered trademark or trademark of VMware, Inc. and its subsidiaries in the United States and other jurisdictions.

All third-party marks are property of their respective owners.

## Table of contents

- Customer self repair
- Illustrated parts catalog
  - Mechanical components
    - Front bezel spare part
    - Front I/O module spare part
    - Fan and fan cage spare parts
    - Miscellaneous blank spare parts
    - DIMM guards spare part
    - Cable management arm spare part
    - Rack rails spare part
    - Drive blank spare parts
  - System components
    - System board spare parts
    - Heatsink spare parts
    - Processor spare parts
    - Power supply spare parts
    - System battery spare part
    - DIMM spare parts
    - Drive cable spare parts
  - Server options
    - Drive backplane spare parts
    - Chassis intrusion detection switch spare part
    - Energy pack spare parts
    - HPE NS204i-u Boot Device spare parts
    - Serial port cable spare part
    - Riser board spare parts
    - External fan spare parts
    - Storage controller spare parts
    - Media device cable spare parts
    - OCP bandwidth upgrade cable spare part
    - Tertiary riser signal cable spare part
    - GPU auxiliary power cable spare parts
- Removal and replacement procedures
  - Safety considerations
    - Electrostatic discharge
    - Symbols on equipment
    - Rack warnings and cautions
    - Server warnings and cautions
  - Preparation procedures

- Server data backup
- Power down the server
- Extend the server from the rack
- Remove the server from the rack
- Position the tower server for hardware configuration
- Remove the access panel
- Remove the primary riser cage
- Remove the secondary riser cage
- Power up the server
- Removing and replacing the front bezel
- Removing and replacing a hot-plug LFF/SFF/E3.S drive
- Removing and replacing the drive box blank
- Removing and replacing a drive blank
- Removing and replacing the media bay filler panel
- Removing and replacing the cable management arm
- Removing and replacing the rack rails
- Flexible Slot power supply replacement
  - Power supply warnings and cautions
  - DC power supply warnings and cautions
  - Removing and replacing a Flexible Slot power supply
- Removing and replacing a power supply blank
- Transceiver replacement
  - Transceiver warnings and cautions
  - Removing and replacing a transceiver
- Media device replacement
  - Removing and replacing a SAS LTO tape drive
  - Removing and replacing the USB RDX docking station
  - Removing and replacing the optical drive
- Removing and replacing the front I/O module
- Drive backplane replacement
  - Removing and replacing the 4 LFF drive backplane
  - Removing and replacing the 8 SFF drive backplane
  - Removing and replacing the E3.S drive backplane
- Fan replacement
  - Fan population
  - Fan redundancy support
  - Removing and replacing the internal fan in hot-plug mode
  - Removing and replacing the internal fan in non-hot-plug mode
  - Removing and replacing the external fan
- Removing and replacing the external fan cable
- Removing and replacing the fan blank



- Removing and replacing the fan cage
- Removing and replacing a DIMM
- Removing and replacing a DIMM guard
- Heatsink replacement
  - Removing the heatsink
  - Installing the heatsink
- Processor replacement
  - Processor cautions
  - Removing the processor
  - Installing the processor
  - Reconfiguring the system date and time settings
- Expansion card replacement
  - Removing and replacing an expansion card from the primary/secondary riser cage
  - Removing and replacing an expansion card from the tertiary riser
- Removing and replacing a type-o storage controller
- HPE NS204i-u Boot Device replacement
  - Removing and replacing the boot device cage assembly
  - Removing and replacing a boot device drive
- Riser board replacement
  - Removing and replacing the primary/secondary riser board
  - Removing and replacing the tertiary riser board
- Removing and replacing the internal USB device
- Removing and replacing the energy pack
- Removing and replacing the energy pack holder
- Removing and replacing a cable clamp
- Removing and replacing the boot device blank
- Removing and replacing the secondary riser cage blank
- Removing and replacing the tertiary riser slot cover
- Removing and replacing the external fan connector blank
- Removing and replacing the chassis intrusion detection switch
- Removing and replacing the OCP NIC 3.0 adapter
- Removing and replacing an OCP slot blank
- Removing and replacing the serial port cable
- Removing and replacing the serial port blank
- System battery replacement
  - System battery information
  - Removing and replacing the system battery
- System board assembly replacement
  - Removing the system board
  - Installing the system board
  - Re-entering the server serial number and product ID

- Troubleshooting
  - NMI functionality
  - Troubleshooting resources
- Component identification
  - Front panel components
    - iLO Service Port
  - Front panel LEDs and button
    - Server UID LED
    - Using the UID button to view the Server Health Summary
    - Front panel LED power fault codes
  - Rear panel components
    - Display device setup
  - Rear panel LEDs
  - Component touchpoints
  - System board components
    - System maintenance switch descriptions
    - DIMM label identification
    - DIMM slot numbering
    - Heatsink and processor socket components
  - Internal components
  - Riser board components
  - Riser slot numbering
  - HPE Basic Drive LED definitions
  - EDSFF SSD LED definitions
  - Drive bay numbering
    - LFF drive bay numbering
    - SFF drive bay numbering
    - Mixed drive bay numbering
    - E3.S drive bay numbering
  - Drive backplane naming
  - Fan bay numbering
  - Media device screws
  - Trusted Platform Module 2.0
    - Trusted Platform Module 2.0 guidelines
    - BitLocker recovery key/password retention guidelines
  - HPE NS204i-u Boot Device components
  - HPE NS204i-u Boot Device LED definitions
- Cabling
  - Cabling guidelines
  - Cabling diagrams
  - Internal cabling management

- Storage cabling
  - Storage controller cabling
  - Drive power cabling
  - Energy pack cabling
  - Storage controller backup power cabling
- Media device cabling
  - LTO tape drive cabling
  - USB RDX docking station cabling
  - Optical drive cabling
- GPU auxiliary power cabling
- Fan cabling
- HPE NS204i-u Boot Device cabling
- OCP upgrade cabling
- Tertiary riser signal cabling
- Serial port cabling
- Chassis intrusion detection switch cabling
- Front I/O cabling
- Configuration resources
  - Updating firmware or system ROM
  - Configuring the server
  - Configuring storage controllers
  - Managing the HPE NS204i-u Boot Device
  - Deploying an OS
  - Configuring security
  - Server management
  - Managing Linux-based high performance compute clusters
- Specifications
  - Environmental specifications
  - Limited operating inlet ambient temperature requirements
    - Limited operating inlet ambient temperature requirements for DDR5 4800 256 GB DIMM
    - Limited operating inlet ambient temperature requirements for HPE InfiniBand HDR100 / Ethernet 100GB 2-port QSFP56 PCIe4 x16 Adapter
    - Limited operating inlet ambient temperature requirements for HPE NS204i-u Boot Device
    - Limited operating inlet ambient temperature requirements for drive options
  - Mechanical specifications
  - Power supply specifications
    - HPE 500 W Flex Slot Platinum Hot-plug Low Halogen Power Supply
    - HPE 800 W Flex Slot Platinum Hot-plug Low Halogen Power Supply
    - HPE 1000 W Flex Slot Titanium Hot-plug Power Supply
    - HPE 1600 W Flex Slot Platinum Hot-plug Low Halogen Power Supply
    - HPE 1600 W Flex Slot -48 VDC Hot-plug Power Supply

- HPE 1800-2200 W Flex Slot Titanium Power Supply

- Websites
- Support and other resources
  - Accessing Hewlett Packard Enterprise Support
  - Accessing updates
  - Remote support
  - Warranty information
  - Regulatory information
  - Documentation feedback

## Customer self repair

Hewlett Packard Enterprise products are designed with many Customer Self Repair (CSR) parts to minimize repair time and allow for greater flexibility in performing defective parts replacement. If during the diagnosis period Hewlett Packard Enterprise (or Hewlett Packard Enterprise service providers or service partners) identifies that the repair can be accomplished by the use of a CSR part, Hewlett Packard Enterprise will ship that part directly to you for replacement. There are two categories of CSR parts:

- **Mandatory**—Parts for which customer self repair is mandatory. If you request Hewlett Packard Enterprise to replace these parts, you will be charged for the travel and labor costs of this service.
- **Optional**—Parts for which customer self repair is optional. These parts are also designed for customer self repair. If, however, you require that Hewlett Packard Enterprise replace them for you, there may or may not be additional charges, depending on the type of warranty service designated for your product.



### NOTE

Some Hewlett Packard Enterprise parts are not designed for customer self repair. In order to satisfy the customer warranty, Hewlett Packard Enterprise requires that an authorized service provider replace the part. These parts are identified as "No" in the Illustrated Parts Catalog.

Based on availability and where geography permits, CSR parts will be shipped for next business day delivery. Same day or four-hour delivery may be offered at an additional charge where geography permits. If assistance is required, you can contact the Hewlett Packard Enterprise Support Center and a technician will help you over the telephone or by electronic means. Hewlett Packard Enterprise specifies in the materials shipped with a replacement CSR part whether a defective part must be returned to Hewlett Packard Enterprise. In cases where it is required to return the defective part to Hewlett Packard Enterprise, you must ship the defective part back to Hewlett Packard Enterprise within a defined period of time, normally five (5) business days. The defective part must be returned with the associated documentation in the provided shipping material. Failure to return the defective part may result in Hewlett Packard Enterprise billing you for the replacement. With a customer self repair, Hewlett Packard Enterprise will pay all shipping and part return costs and determine the courier/carrier to be used.

For more information about the Hewlett Packard Enterprise CSR program, contact your local service provider.

## Parts only warranty service

Your Hewlett Packard Enterprise Limited Warranty may include a parts only warranty service. Under the terms of parts only warranty service, Hewlett Packard Enterprise will provide replacement parts free of charge.

For parts only warranty service, CSR part replacement is mandatory. If you request Hewlett Packard Enterprise to replace these parts, you will be charged for the travel and labor costs of this service.

## Réparation par le client (CSR)

Les produits Hewlett Packard Enterprise comportent de nombreuses pièces CSR (Customer Self Repair = réparation par le client) afin de minimiser les délais de réparation et faciliter le remplacement des pièces défectueuses. Si pendant la période de diagnostic, Hewlett Packard Enterprise (ou ses partenaires ou mainteneurs agréés) détermine que la réparation peut être effectuée à l'aide d'une pièce CSR, Hewlett Packard Enterprise vous l'envoie directement. Il existe deux catégories de pièces CSR :

- **Obligatoire**—Pièces pour lesquelles la réparation par le client est obligatoire. Si vous demandez à Hewlett Packard Enterprise de remplacer ces pièces, les coûts de déplacement et main d'œuvre du service vous seront facturés.
- **Facultatif**—Pièces pour lesquelles la réparation par le client est facultative. Ces pièces sont également conçues pour permettre au client d'effectuer lui-même la réparation. Toutefois, si vous demandez à Hewlett Packard Enterprise de remplacer ces pièces, l'intervention peut ou non vous être facturée, selon le type de garantie applicable à votre produit.

**REMARQUE:** Certaines pièces Hewlett Packard Enterprise ne sont pas conçues pour permettre au client d'effectuer lui-même la réparation. Pour que la garantie puisse s'appliquer, Hewlett Packard Enterprise exige que le remplacement de la pièce soit effectué par un Mainteneur Agréé. Ces pièces sont identifiées par la mention "Non" dans le Catalogue illustré.

Les pièces CSR sont livrées le jour ouvré suivant, dans la limite des stocks disponibles et selon votre situation géographique. Si votre situation géographique le permet et que vous demandez une livraison le jour même ou dans les 4 heures, celle-ci vous sera facturée. Pour toute assistance, appelez le Centre d'assistance Hewlett Packard Enterprise pour qu'un technicien vous aide au téléphone. Dans les documents envoyés avec la pièce de rechange CSR, Hewlett Packard Enterprise précise s'il est nécessaire de lui retourner la pièce défectueuse. Si c'est le cas, vous devez le faire dans le délai indiqué, généralement cinq (5) jours ouvrés. La pièce et sa documentation doivent être retournées dans l'emballage fourni. Si vous ne retournez pas la pièce défectueuse, Hewlett Packard Enterprise se réserve le droit de vous facturer les coûts de remplacement. Dans le cas d'une pièce CSR, Hewlett Packard Enterprise supporte l'ensemble des frais

d'expédition et de retour, et détermine la société de courses ou le transporteur à utiliser.

Pour plus d'informations sur le programme CSR de Hewlett Packard Enterprise, contactez votre Mainteneur Agréé local.

## Service de garantie "pièces seules"

Votre garantie limitée Hewlett Packard Enterprise peut inclure un service de garantie "pièces seules". Dans ce cas, les pièces de rechange fournies par Hewlett Packard Enterprise ne sont pas facturées.

Dans le cadre de ce service, la réparation des pièces CSR par le client est obligatoire. Si vous demandez à Hewlett Packard Enterprise de remplacer ces pièces, les coûts de déplacement et main d'œuvre du service vous seront facturés.

## Riparazione da parte del cliente

Per abbreviare i tempi di riparazione e garantire una maggiore flessibilità nella sostituzione di parti difettose, i prodotti Hewlett Packard Enterprise sono realizzati con numerosi componenti che possono essere riparati direttamente dal cliente (CSR, Customer Self Repair). Se in fase di diagnostica Hewlett Packard Enterprise (o un centro di servizi o di assistenza Hewlett Packard Enterprise) identifica il guasto come riparabile mediante un ricambio CSR, Hewlett Packard Enterprise lo spedisce direttamente al cliente per la sostituzione. Vi sono due categorie di parti CSR:

- **Obbligatorie**—Parti che devono essere necessariamente riparate dal cliente. Se il cliente ne affida la riparazione ad Hewlett Packard Enterprise, deve sostenere le spese di spedizione e di manodopera per il servizio.
- **Opzionali**—Parti la cui riparazione da parte del cliente è facoltativa. Si tratta comunque di componenti progettati per questo scopo. Se tuttavia il cliente ne richiede la sostituzione ad Hewlett Packard Enterprise, potrebbe dover sostenere spese aggiuntive a seconda del tipo di garanzia previsto per il prodotto.

**NOTA:** alcuni componenti Hewlett Packard Enterprise non sono progettati per la riparazione da parte del cliente. Per rispettare la garanzia, Hewlett Packard Enterprise richiede che queste parti siano sostituite da un centro di assistenza autorizzato. Tali parti sono identificate da un "No" nel Catalogo illustrato dei componenti.

In base alla disponibilità e alla località geografica, le parti CSR vengono spedite con consegna entro il giorno lavorativo seguente. La consegna nel giorno stesso o entro quattro ore è offerta con un supplemento di costo solo in alcune zone. In caso di necessità si può richiedere l'assistenza telefonica di un addetto del centro di supporto tecnico Hewlett Packard Enterprise. Nel materiale fornito con una parte di ricambio CSR, Hewlett Packard Enterprise specifica se il cliente deve restituire dei componenti. Qualora sia richiesta la resa ad Hewlett Packard Enterprise del componente difettoso, lo si deve spedire ad Hewlett Packard Enterprise entro un determinato periodo di tempo, generalmente cinque (5) giorni lavorativi. Il componente difettoso deve essere restituito con la documentazione associata nell'imballo di spedizione fornito. La mancata restituzione del componente può comportare la fatturazione del ricambio da parte di Hewlett Packard Enterprise. Nel caso di riparazione da parte del cliente, Hewlett Packard Enterprise sostiene tutte le spese di spedizione e resa e sceglie il corriere/vettore da utilizzare.

Per ulteriori informazioni sul programma CSR di Hewlett Packard Enterprise, contattare il centro di assistenza di zona.

## Servizio di garanzia per i soli componenti

La garanzia limitata Hewlett Packard Enterprise può includere un servizio di garanzia per i soli componenti. Nei termini di garanzia del servizio per i soli componenti, Hewlett Packard Enterprise fornirà gratuitamente le parti di ricambio.

Per il servizio di garanzia per i soli componenti è obbligatoria la formula CSR che prevede la riparazione da parte del cliente. Se il cliente invece richiede la sostituzione ad Hewlett Packard Enterprise dovrà sostenere le spese di spedizione e di manodopera per il servizio.

## Customer Self Repair

Hewlett Packard Enterprise Produkte enthalten viele CSR-Teile (Customer Self Repair), um Reparaturzeiten zu minimieren und höhere Flexibilität beim Austausch defekter Bauteile zu ermöglichen. Wenn Hewlett Packard Enterprise (oder ein Hewlett Packard Enterprise Servicepartner) bei der Diagnose feststellt, dass das Produkt mithilfe eines CSR-Teils repariert werden kann, sendet Ihnen Hewlett Packard Enterprise dieses Bauteil zum Austausch direkt zu. CSR-Teile werden in zwei Kategorien unterteilt:

- **Zwingend**—Teile, für die das Customer Self Repair-Verfahren zwingend vorgegeben ist. Wenn Sie den Austausch dieser Teile von Hewlett Packard Enterprise vornehmen lassen, werden Ihnen die Anfahrt- und Arbeitskosten für diesen Service berechnet.
- **Optional**—Teile, für die das Customer Self Repair-Verfahren optional ist. Diese Teile sind auch für Customer Self Repair ausgelegt. Wenn Sie jedoch den Austausch dieser Teile von Hewlett Packard Enterprise vornehmen lassen möchten, können bei diesem Service je nach den für Ihr Produkt vorgesehenen Garantiebedingungen zusätzliche Kosten anfallen.

**HINWEIS:** Einige Hewlett Packard Enterprise Teile sind nicht für Customer Self Repair ausgelegt. Um den Garantieanspruch des Kunden zu erfüllen, muss das Teil von einem Hewlett Packard Enterprise Servicepartner ersetzt werden. Im illustrierten Teilekatalog sind diese Teile mit „No“ bzw. „Nein“ gekennzeichnet.

CSR-Teile werden abhängig von der Verfügbarkeit und vom Lieferziel am folgenden Geschäftstag geliefert. Für bestimmte Standorte ist eine Lieferung am selben Tag oder innerhalb von vier Stunden gegen einen Aufpreis verfügbar. Wenn Sie Hilfe benötigen, können Sie das Hewlett Packard Enterprise Support Center anrufen und sich von einem Mitarbeiter per Telefon helfen lassen. Den Materialien von Hewlett Packard Enterprise, die mit einem CSR-Ersatzteil geliefert werden, können Sie entnehmen, ob das defekte Teil an Hewlett Packard Enterprise zurückgeschickt werden muss. Wenn es erforderlich ist, das defekte Teil an Hewlett Packard Enterprise zurückzuschicken, müssen Sie dies innerhalb eines vorgegebenen Zeitraums tun, in der Regel innerhalb von fünf (5) Geschäftstagen. Das defekte Teil muss mit der zugehörigen Dokumentation in der Verpackung zurückgeschickt werden, die im Lieferumfang enthalten ist. Wenn Sie das defekte Teil nicht zurückschicken, kann Hewlett Packard Enterprise Ihnen das Ersatzteil in Rechnung stellen. Im Falle von Customer Self Repair kommt Hewlett Packard Enterprise für alle Kosten für die Lieferung und Rücksendung auf und bestimmt den Kurier-/Frachtdienst.

Weitere Informationen über das Hewlett Packard Enterprise Customer Self Repair Programm erhalten Sie von Ihrem Servicepartner vor Ort.

## Parts-only Warranty Service (Garantieservice ausschließlich für Teile)

Ihre Hewlett Packard Enterprise Garantie umfasst möglicherweise einen Parts-only Warranty Service (Garantieservice ausschließlich für Teile). Gemäß den Bestimmungen des Parts-only Warranty Service stellt Hewlett Packard Enterprise Ersatzteile kostenlos zur Verfügung.

Für den Parts-only Warranty Service ist das CSR-Verfahren zwingend vorgegeben. Wenn Sie den Austausch dieser Teile von Hewlett Packard Enterprise vornehmen lassen, werden Ihnen die Anfahrt- und Arbeitskosten für diesen Service berechnet.

## Reparaciones del propio cliente

Los productos de Hewlett Packard Enterprise incluyen muchos componentes que el propio usuario puede reemplazar (Customer Self Repair, CSR) para minimizar el tiempo de reparación y ofrecer una mayor flexibilidad a la hora de realizar sustituciones de componentes defectuosos. Si, durante la fase de diagnóstico, Hewlett Packard Enterprise (o los proveedores o socios de servicio de Hewlett Packard Enterprise) identifica que una reparación puede llevarse a cabo mediante el uso de un componente CSR, Hewlett Packard Enterprise le enviará dicho componente directamente para que realice su sustitución. Los componentes CSR se clasifican en dos categorías:

- **Obligatorio**—Componentes cuya reparación por parte del usuario es obligatoria. Si solicita a Hewlett Packard Enterprise que realice la sustitución de estos componentes, tendrá que hacerse cargo de los gastos de desplazamiento y de mano de obra de dicho servicio.
- **Opcional**—Componentes cuya reparación por parte del usuario es opcional. Estos componentes también están diseñados para que puedan ser reparados por el usuario. Sin embargo, si precisa que Hewlett Packard Enterprise realice su sustitución, puede o no conllevar costes adicionales, dependiendo del tipo de servicio de garantía correspondiente al producto.

**NOTA:** Algunos componentes de Hewlett Packard Enterprise no están diseñados para que puedan ser reparados por el usuario. Para que el usuario haga valer su garantía, Hewlett Packard Enterprise pone como condición que un proveedor de servicios autorizado realice la sustitución de estos componentes. Dichos componentes se identifican con la palabra "No" en el catálogo ilustrado de componentes.

Según la disponibilidad y la situación geográfica, los componentes CSR se enviarán para que lleguen a su destino al siguiente día laborable. Si la situación geográfica lo permite, se puede solicitar la entrega en el mismo día o en cuatro horas con un coste adicional. Si precisa asistencia técnica, puede llamar al Centro de asistencia técnica de Hewlett Packard Enterprise y recibirá ayuda telefónica por parte de un técnico. Con el envío de materiales para la sustitución de componentes CSR, Hewlett Packard Enterprise especificará si los componentes defectuosos deberán devolverse a Hewlett Packard Enterprise. En aquellos casos en los que sea necesario devolver algún componente a Hewlett Packard Enterprise, deberá hacerlo en el periodo de tiempo especificado, normalmente cinco días laborables. Los componentes defectuosos deberán devolverse con toda la documentación relacionada y con el embalaje de envío. Si no enviara el componente defectuoso requerido, Hewlett Packard Enterprise podrá cobrarle por el de sustitución. En el caso de todas sustituciones que lleve a cabo el cliente, Hewlett Packard Enterprise se hará cargo de todos los gastos de envío y devolución de componentes y escogerá la empresa de transporte que se utilice para dicho servicio.

Para obtener más información acerca del programa de Reparaciones del propio cliente de Hewlett Packard Enterprise, póngase en contacto con su proveedor de servicios local.

## Servicio de garantía exclusivo de componentes

La garantía limitada de Hewlett Packard Enterprise puede que incluya un servicio de garantía exclusivo de componentes. Según las condiciones de este servicio exclusivo de componentes, Hewlett Packard Enterprise le facilitará los componentes de repuesto sin cargo adicional alguno.

Para este servicio de garantía exclusivo de componentes, es obligatoria la sustitución de componentes por parte del usuario (CSR). Si solicita a Hewlett Packard Enterprise que realice la sustitución de estos componentes, tendrá que hacerse cargo de los gastos de desplazamiento y de mano de obra de dicho servicio.

## Customer Self Repair

Veel onderdelen in Hewlett Packard Enterprise producten zijn door de klant zelf te repareren, waardoor de reparatieduur tot een minimum beperkt kan blijven en de flexibiliteit in het vervangen van defecte onderdelen groter is. Deze onderdelen worden CSR-onderdelen (Customer Self Repair) genoemd. Als Hewlett Packard Enterprise (of een Hewlett Packard Enterprise Service Partner) bij de diagnose vaststelt dat de reparatie kan worden uitgevoerd met een CSR-onderdeel, verzendt Hewlett Packard Enterprise dat onderdeel rechtstreeks

naar u, zodat u het defecte onderdeel daarmee kunt vervangen. Er zijn twee categorieën CSR-onderdelen:

- **Verplicht**—Onderdelen waarvoor reparatie door de klant verplicht is. Als u Hewlett Packard Enterprise verzoekt deze onderdelen voor u te vervangen, worden u voor deze service reiskosten en arbeidsloon in rekening gebracht.
- **Optioneel**—Onderdelen waarvoor reparatie door de klant optioneel is. Ook deze onderdelen zijn ontworpen voor reparatie door de klant. Als u echter Hewlett Packard Enterprise verzoekt deze onderdelen voor u te vervangen, kunnen daarvoor extra kosten in rekening worden gebracht, afhankelijk van het type garanteservice voor het product.

**OPMERKING:** Sommige Hewlett Packard Enterprise onderdelen zijn niet ontwikkeld voor reparatie door de klant. In verband met de garantievoorzwaarden moet het onderdeel door een geautoriseerde Service Partner worden vervangen. Deze onderdelen worden in de geïllustreerde onderdelencatalogus aangemerkt met "Nee".

Afhankelijk van de leverbaarheid en de locatie worden CSR-onderdelen verzonden voor levering op de eerstvolgende werkdag. Levering op dezelfde dag of binnen vier uur kan tegen meerkosten worden aangeboden, indien dit mogelijk is gezien de locatie. Indien assistentie is gewenst, belt u het Hewlett Packard Enterprise Support Center om via de telefoon ondersteuning van een technicus te ontvangen. Hewlett Packard Enterprise vermeldt in de documentatie bij het vervangende CSR-onderdeel of het defecte onderdeel aan Hewlett Packard Enterprise moet worden geretourneerd. Als het defecte onderdeel aan Hewlett Packard Enterprise moet worden teruggezonden, moet u het defecte onderdeel binnen een bepaalde periode, gewoonlijk vijf (5) werkdagen, retourneren aan Hewlett Packard Enterprise. Het defecte onderdeel moet met de bijbehorende documentatie worden geretourneerd in het meegeleverde verpakkingsmateriaal. Als u het defecte onderdeel niet terugzendt, kan Hewlett Packard Enterprise u voor het vervangende onderdeel kosten in rekening brengen. Bij reparatie door de klant betaalt Hewlett Packard Enterprise alle verzendkosten voor het vervangende en geretourneerde onderdeel en kiest Hewlett Packard Enterprise zelf welke koerier/transportonderneming hiervoor wordt gebruikt.

Neem contact op met een Service Partner voor meer informatie over het Customer Self Repair programma van Hewlett Packard Enterprise.

## Garanteservice "Parts Only"

Het is mogelijk dat de Hewlett Packard Enterprise garantie alleen de garanteservice "Parts Only" omvat. Volgens de bepalingen van de Parts Only garanteservice zal Hewlett Packard Enterprise kosteloos vervangende onderdelen ter beschikking stellen.

Voor de Parts Only garanteservice is vervanging door CSR-onderdelen verplicht. Als u Hewlett Packard Enterprise verzoekt deze onderdelen voor u te vervangen, worden u voor deze service reiskosten en arbeidsloon in rekening gebracht

## Reparo feito pelo cliente

Os produtos da Hewlett Packard Enterprise são projetados com muitas peças para reparo feito pelo cliente (CSR) de modo a minimizar o tempo de reparo e permitir maior flexibilidade na substituição de peças com defeito. Se, durante o período de diagnóstico, a Hewlett Packard Enterprise (ou fornecedores/parceiros da Hewlett Packard Enterprise) concluir que o reparo pode ser efetuado pelo uso de uma peça CSR, a Hewlett Packard Enterprise enviará a peça diretamente ao cliente. Há duas categorias de peças CSR:

- **Obrigatória**—Peças cujo reparo feito pelo cliente é obrigatório. Se desejar que a Hewlett Packard Enterprise substitua essas peças, serão cobradas as despesas de transporte e mão-de-obra do serviço.
- **Opcional**—Peças cujo reparo feito pelo cliente é opcional. Essas peças também são projetadas para o reparo feito pelo cliente. No entanto, se desejar que a Hewlett Packard Enterprise as substitua, pode haver ou não a cobrança de taxa adicional, dependendo do tipo de serviço de garantia destinado ao produto.

**OBSERVAÇÃO:** Algumas peças da Hewlett Packard Enterprise não são projetadas para o reparo feito pelo cliente. A fim de cumprir a garantia do cliente, a Hewlett Packard Enterprise exige que um técnico autorizado substitua a peça. Essas peças estão identificadas com a marca "No" (Não), no catálogo de peças ilustrado.

Conforme a disponibilidade e o local geográfico, as peças CSR serão enviadas no primeiro dia útil após o pedido. Onde as condições geográficas permitirem, a entrega no mesmo dia ou em quatro horas pode ser feita mediante uma taxa adicional. Se precisar de auxílio, entre em contato com o Centro de suporte técnico da Hewlett Packard Enterprise para que um técnico o ajude por telefone. A Hewlett Packard Enterprise especifica nos materiais fornecidos com a peça CSR de reposição se a peça com defeito deve ser devolvida à Hewlett Packard Enterprise. Nos casos em que isso for necessário, é preciso enviar a peça com defeito à Hewlett Packard Enterprise, você deverá enviar a peça com defeito de volta para a Hewlett Packard Enterprise dentro do período de tempo definido, normalmente em 5 (cinco) dias úteis. A peça com defeito deve ser enviada com a documentação correspondente no material de transporte fornecido. Caso não o faça, a Hewlett Packard Enterprise poderá cobrar a reposição. Para as peças de reparo feito pelo cliente, a Hewlett Packard Enterprise paga todas as despesas de transporte e de devolução da peça e determina a transportadora/serviço postal a ser utilizado.

Para obter mais informações sobre o programa de reparo feito pelo cliente da Hewlett Packard Enterprise, entre em contato com o fornecedor de serviços local.

## Serviço de garantia apenas para peças

A garantia limitada da Hewlett Packard Enterprise pode incluir um serviço de garantia apenas para peças. Segundo os termos do serviço de garantia apenas para peças, a Hewlett Packard Enterprise fornece as peças de reposição sem cobrar nenhuma taxa.



## カスタマーセルフリペア

修理時間を短縮し、故障部品の交換における高い柔軟性を確保するために、Hewlett Packard Enterprise製品には多数のカスタマーセルフリペア（CSR）部品があります。診断の際に、CSR部品を使用すれば修理ができるHewlett Packard Enterprise（Hewlett Packard EnterpriseまたはHewlett Packard Enterprise正規保守代理店）が判断した場合、Hewlett Packard Enterpriseはその部品を直接、お客様に発送し、お客様に交換していただきます。CSR部品には以下の2種類があります。

- **必須** - カスタマーセルフリペアが必須の部品。当該部品について、もしもお客様がHewlett Packard Enterpriseに交換作業を依頼される場合には、その修理サービスに関する交通費および人件費がお客様に請求されます。
- **任意** - カスタマーセルフリペアが任意である部品。この部品もカスタマーセルフリペア用です。当該部品について、もしもお客様がHewlett Packard Enterpriseに交換作業を依頼される場合には、お買い上げの製品に適用される保証サービス内容の範囲内においては、別途費用を負担していただくことなく保証サービスを受けることができます。

**注：** Hewlett Packard Enterprise製品の一部の部品は、カスタマーセルフリペアの対象外です。製品の保証を継続するためには、Hewlett Packard EnterpriseまたはHewlett Packard Enterprise正規保守代理店による交換作業が必須となります。部品カタログには、当該部品がカスタマーセルフリペア除外品である旨が記載されています。

部品供給が可能な場合、地域によっては、CSR部品を翌営業日に届くように発送します。また、地域によっては、追加費用を負担いただくことにより同日または4時間以内に届くように発送することも可能な場合があります。サポートが必要なときは、Hewlett Packard Enterpriseサポートセンターに電話していただければ、技術者が電話でアドバイスします。交換用のCSR部品または同梱物には、故障部品をHewlett Packard Enterpriseに返送する必要があるかどうかが表示されています。故障部品をHewlett Packard Enterpriseに返送する必要がある場合は、指定期限内（通常は5営業日以内）に故障部品をHewlett Packard Enterpriseに返送してください。故障部品を返送する場合は、届いた時の梱包箱に関連書類とともに入れてください。故障部品を返送しない場合、Hewlett Packard Enterpriseから部品費用が請求されます。カスタマーセルフリペアの際には、Hewlett Packard Enterpriseは送料および部品返送費を全額負担し、使用する宅配便会社や運送会社を指定します。

## 部品のみ保証サービス

Hewlett Packard Enterprise保証サービスには、部品のみ保証サービスが適用される場合があります。このサービスでは、交換部品は無償で提供されます。

部品のみ保証サービスにおいては、CSR部品をお客様により交換作業していただくことが必須となります。当該部品について、もしもお客様がHewlett Packard Enterpriseに交換作業を依頼される場合には、その修理サービスに関する交通費および人件費がお客様のご負担となります。

# 客户自行维修

Hewlett Packard Enterprise 产品提供许多客户自行维修 (CSR) 部件，以尽可能缩短维修时间和在更换缺陷部件方面提供更大的灵活性。如果在诊断期间 Hewlett Packard Enterprise (或 Hewlett Packard Enterprise 服务提供商或服务合作伙伴) 确定可以通过使用 CSR 部件完成维修，Hewlett Packard Enterprise 将直接把该部件发送给您进行更换。有两类 CSR 部件：

- **强制性的** — 要求客户必须自行维修的部件。如果您请求 Hewlett Packard Enterprise 更换这些部件，则必须为该服务支付差旅费和人工费用。
- **可选的** — 客户可以选择是否自行维修的部件。这些部件也是为客户自行维修设计的。不过，如果您要求 Hewlett Packard Enterprise 为您更换这些部件，则根据为您的产品指定的保修服务类型，Hewlett Packard Enterprise 可能收取或不再收取任何附加费用。

**注：**某些 Hewlett Packard Enterprise 部件的设计并未考虑客户自行维修。为了满足客户保修的需要，Hewlett Packard Enterprise 要求授权服务提供商更换相关部件。这些部件在部件图解目录中标记为“否”。

CSR 部件将在下一个工作日发运（取决于备货情况和允许的地理范围）。在允许的地理范围内，可在当天或四小时内发运，但要收取额外费用。如果需要帮助，您可以致电 Hewlett Packard Enterprise 技术支持中心，将会有技术人员通过电话为您提供帮助。Hewlett Packard Enterprise 会在随更换的 CSR 部件发运的材料中指明是否必须将有缺陷的部件返还给 Hewlett Packard Enterprise。如果要求您将有缺陷的部件返还给 Hewlett Packard Enterprise，那么您必须在规定的期限内（通常是五 (5) 个工作日）将缺陷部件发给 Hewlett Packard Enterprise。有缺陷的部件必须随所提供的发运材料中的相关文件一起返还。如果未能送还有缺陷的部件，Hewlett Packard Enterprise 可能会要求您支付更换费用。客户自行维修时，Hewlett Packard Enterprise 将承担所有相关运输和部件返回费用，并指定快递商/承运商。

有关 Hewlett Packard Enterprise 客户自行维修计划的详细信息，请与您当地的服务提供商联系。

## 仅部件保修服务

您的 Hewlett Packard Enterprise 有限保修服务可能涉及仅部件保修服务。根据仅部件保修服务条款的规定，Hewlett Packard Enterprise 将免费提供更换的部件。

仅部件保修服务要求进行 CSR 部件更换。如果您请求 Hewlett Packard Enterprise 更换这些部件，则必须为该服务支付差旅费和人工费用。

# 客戶自行維修

Hewlett Packard Enterprise 產品設計了許多「客戶自行維修」(CSR) 的零件以減少維修時間，並且使得更換瑕疵零件時能有更大的彈性。如果在診斷期間，Hewlett Packard Enterprise (或 Hewlett Packard Enterprise 服務供應商或維修夥伴) 辨認出此項維修工作可以藉由使用 CSR 零件來完成，則 Hewlett Packard Enterprise 將直接寄送該零件給您作更換。CSR 零件分為兩種類別：

- **強制的** — 客戶自行維修所使用的零件是強制性的。如果您要求 Hewlett Packard Enterprise 更換這些零件，Hewlett Packard Enterprise 將會向您收取此服務所需的外出費用與勞動成本。
- **選購的** — 客戶自行維修所使用的零件是選購的。這些零件也設計用於客戶自行維修之用。不過，如果您要求 Hewlett Packard Enterprise 為您更換，則可能需要也可能不需要負擔額外的費用，端視針對此產品指定的保固服務類型而定。

**備註：**某些 Hewlett Packard Enterprise 零件沒有消費者可自行維修的設計。為符合客戶保固，Hewlett Packard Enterprise 需要授權的服務供應商更換零件。這些零件在圖示的零件目錄中，被標示為「否」。

基於材料取得及環境允許的情況下，CSR 零件將於下一個工作日以快遞寄送。在環境的允許下當天或四小時內送達，則可能需要額外的費用。若您需要協助，可致電 Hewlett Packard Enterprise 支援中心，會有一位技術人員透過電話來協助您。不論損壞的零件是否必須退回，Hewlett Packard Enterprise 皆會在與 CSR 替換零件一起運送的材料中註明。若要將損壞的零件退回 Hewlett Packard Enterprise，您必須在指定的一段時間內 (通常為五 (5) 個工作天)，將損壞的零件寄回 Hewlett Packard Enterprise。損壞的零件必須與寄送資料中隨附的相關技術文件一併退還。如果無法退還損壞的零件，Hewlett Packard Enterprise 可能要向您收取替換費用。針對客戶自行維修情形，Hewlett Packard Enterprise 將負責所有運費及零件退還費用，並指定使用何家快遞/貨運公司。

如需 Hewlett Packard Enterprise 的 CSR 方案詳細資訊，請連絡您當地的服務供應商。

## 僅限零件的保固服務

您的「Hewlett Packard Enterprise 有限保固」可能包含僅限零件的保固服務。在僅限零件的保固服務情況下，Hewlett Packard Enterprise 將免費提供替換零件。

針對僅限零件的保固服務，CSR 零件替換是強制性的。如果您要求 Hewlett Packard Enterprise 更換這些零件，Hewlett Packard Enterprise 將會向您收取此服務所需的外出費用與勞動成本。



# 고객 셀프 수리

Hewlett Packard Enterprise 제품은 수리 시간을 최소화하고 결함이 있는 부품 교체 시 더욱 융통성을 발휘할 수 있도록 하기 위해 고객 셀프 수리(CSR) 부품을 다량 사용하여 설계되었습니다. 진단 기간 동안 Hewlett Packard Enterprise(또는 Hewlett Packard Enterprise 서비스 공급업체 또는 서비스 협력업체)에서 CSR 부품을 사용하여 수리가 가능하다고 판단되면 Hewlett Packard Enterprise는 해당 부품을 바로 사용자에게 보내어 사용자가 교체할 수 있도록 합니다. CSR 부품에는 두 가지 종류가 있습니다.

- 필수 - 고객 셀프 수리가 의무 사항인 필수 부품. 사용자가 Hewlett Packard Enterprise에 이 부품의 교체를 요청할 경우 이 서비스에 대한 출장비 및 작업비가 청구됩니다.
- 선택 사항 - 고객 셀프 수리가 선택 사항인 부품. 이 부품들도 고객 셀프 수리가 가능하도록 설계되었습니다. 하지만 사용자가 Hewlett Packard Enterprise에 이 부품의 교체를 요청할 경우 사용자가 구입한 제품에 해당하는 보증 서비스 유형에 따라 추가 비용 없이 교체가 가능할 수 있습니다.

참고: 일부 Hewlett Packard Enterprise 제품은 고객 셀프 수리가 불가능하도록 설계되었습니다. Hewlett Packard Enterprise는 만족스러운 고객 보증을 위해 공인 서비스 제공업체를 통해 부품을 교체하도록 하고 있습니다. 이러한 부품들은 Illustrated Parts Catalog에 "No"라고 표시되어 있습니다.

CSR 부품은 재고 상태와 지리적 조건이 허용하는 경우 다음 영업일 납품이 가능하도록 배송이 이루어집니다. 지리적 조건이 허용하는 경우 추가 비용이 청구되는 조건으로 당일 또는 4시간 배송이 가능할 수도 있습니다. 도움이 필요하시면 Hewlett Packard Enterprise Support Center로 전화하십시오. 전문 기술자가 전화로 도움을 줄 것입니다. Hewlett Packard Enterprise는 결함이 발생한 부품을 Hewlett Packard Enterprise로 반환해야 하는지 여부를 CSR 교체 부품과 함께 배송된 자료에 지정합니다. 결함이 발생한 부품을 Hewlett Packard Enterprise로 반환해야 하는 경우에는 지정된 기간 내(통상 영업일 기준 5일)에 Hewlett Packard Enterprise로 반환해야 합니다. 이때 결함이 발생한 부품은 제공된 포장 재료에 넣어 관련 설명서와 함께 반환해야 합니다. 결함이 발생한 부품을 반환하지 않는 경우 Hewlett Packard Enterprise가 교체 부품에 대해 비용을 청구할 수 있습니다. 고객 셀프 수리의 경우, Hewlett Packard Enterprise는 모든 운송 및 부품 반환 비용을 부담하며 이용할 운송업체 및 택배 서비스를 결정합니다.

Hewlett Packard Enterprise CSR 프로그램에 대한 자세한 내용은 가까운 서비스 제공업체에 문의하십시오.

## 부품 제공 보증 서비스

Hewlett Packard Enterprise 제한 보증에는 부품 제공 보증 서비스가 포함될 수 있습니다. 이러한 경우 Hewlett Packard Enterprise는 부품 제공 보증 서비스의 조건에 따라 교체 부품만을 무료로 제공합니다.

부품 제공 보증 서비스 제공 시 CSR 부품 교체는 의무 사항입니다. 사용자가 Hewlett Packard Enterprise에 이 부품의 교체를 요청할 경우 이 서비스에 대한 출장비 및 작업비가 청구됩니다.

## Illustrated parts catalog

This chapter lists the hardware spare parts supported by the server.

### Subtopics

[Mechanical components](#)

[System components](#)

[Server options](#)

## Mechanical components

Hewlett Packard Enterprise continually improves and changes product parts. For complete and current supported spare parts information, see the Hewlett Packard Enterprise PartSurfer website:

<https://www.hpe.com/info/partssurfer>

[https://sketchfab.com/models/e343011d2dbf43a381dcae9ddaa2277f/embed?ui\\_infos=0&ui\\_watermark=0&ui\\_help=0&ui\\_vr=0&ui\\_settings=0&ui\\_inspector=0&ui\\_hint=2&ui\\_color=01a982&ui\\_theme=dark&autostart=1&camera=0&ui\\_animations=0](https://sketchfab.com/models/e343011d2dbf43a381dcae9ddaa2277f/embed?ui_infos=0&ui_watermark=0&ui_help=0&ui_vr=0&ui_settings=0&ui_inspector=0&ui_hint=2&ui_color=01a982&ui_theme=dark&autostart=1&camera=0&ui_animations=0)

Item	Description
1	<a href="#">Front bezel spare part</a>
2	<a href="#">Front I/O module spare part</a>
3	<a href="#">Fan cage spare part</a>
4	<a href="#">Energy pack holder spare part</a>
5	<a href="#">Drive box blank spare part <sup>1</sup></a>
6	<a href="#">Fan blank spare part <sup>1</sup></a>
7	<a href="#">DIMM guards spare part <sup>1</sup></a>
8	<a href="#">Cable clamp spare part <sup>1</sup></a>
9	<a href="#">Boot device blank spare part <sup>1</sup></a>
10	<a href="#">Power supply blank spare part <sup>1</sup></a>
11	<a href="#">Tertiary riser slot cover spare part <sup>1</sup></a>
12	<a href="#">OCP slot blank spare part <sup>1</sup></a>
13	<a href="#">Secondary riser cage blank spare part <sup>1</sup></a>
14	<a href="#">Serial port blank spare part <sup>1</sup></a>
15	<a href="#">External fan connector blank spare part <sup>1</sup></a>
16	<a href="#">Cable management arm spare part <sup>1</sup></a>
17	<a href="#">Rack rail spare part <sup>1</sup></a>
18	<a href="#">E3.S drive blank spare part <sup>1</sup></a>
19	<a href="#">SFF drive blank spare part <sup>1</sup></a>
20	<a href="#">LFF drive blank spare part <sup>1</sup></a>
21	<a href="#">Media bay filler panel spare part <sup>1</sup></a>

<sup>1</sup> Not shown

## Subtopics

[Front bezel spare part](#)

[Front I/O module spare part](#)

[Fan and fan cage spare parts](#)

[Miscellaneous blank spare parts](#)

[DIMM guards spare part](#)

[Cable management arm spare part](#)

[Rack rails spare part](#)

[Drive blank spare parts](#)

## Front bezel spare part

Customer self repair: **Mandatory**

Description	Spare part number
Front bezel	P52796-001

For more information on the removal and replacement procedures, see [Removing and replacing the front bezel](#).

## Front I/O module spare part

Customer self repair: Mandatory

Description	Spare part number
Front I/O module	P52797-001

For more information on the removal and replacement procedures, see [Removing and replacing the front I/O module](#).

## Fan and fan cage spare parts

Customer self repair: Mandatory

Description	Spare part number
Internal fan	P52792-001
Fan cage	P52799-001

For more information on the removal and replacement procedures, see:

- [Fan replacement](#)
- [Removing and replacing the fan cage](#)

## Miscellaneous blank spare parts

Customer self repair: Mandatory

Description	Spare part number
<ul style="list-style-type: none"> <li>• Drive box blank</li> <li>• Media bay filler panel</li> <li>• Fan blank</li> <li>• Energy pack holder</li> <li>• Boot device blank</li> <li>• External fan connector blank</li> <li>• Secondary riser cage blank</li> <li>• Tertiary riser slot cover</li> </ul>	P52800-001 <sup>1</sup>
<ul style="list-style-type: none"> <li>• OCP slot blank</li> <li>• Serial port blank</li> </ul>	P56489-001 <sup>1</sup>
<ul style="list-style-type: none"> <li>• Cable clamp</li> <li>• Power supply blank</li> </ul>	879518-001 <sup>1</sup>

<sup>1</sup> This is a miscellaneous blank spare kit; only the component blanks listed in this table are used in this server.

For more information on the removal and replacement procedures, see:

- [Removing and replacing the drive box blank](#)
- [Removing and replacing the media bay filler panel](#)
- [Removing and replacing the fan blank](#)
- [Removing and replacing the energy pack holder](#)
- [Removing and replacing the boot device blank](#)
- [Removing and replacing the external fan connector blank](#)
- [Removing and replacing the secondary riser cage blank](#)
- [Removing and removing the tertiary riser slot cover](#)
- [Removing and replacing the OCP slot blank](#)
- [Removing and replacing the serial port blank](#)
- [Removing and replacing the cable clamp](#)
- [Removing and replacing the power supply blank](#)

## DIMM guards spare part

Customer self repair: Mandatory

Description	Spare part number
DIMM guards (left and right)	P24307-001

For more information on the removal and replacement procedures, see [Removing and replacing a DIMM guard](#).

## Cable management arm spare part

Customer self repair: Mandatory

Description	Spare part number
-------------	-------------------

Cable management arm	879160-001
----------------------	------------

For more information on the removal and replacement procedures, see [Removing and replacing the cable management arm](#).

## Rack rails spare part

Customer self repair: Mandatory

Description	Spare part number
-------------	-------------------

Server rack rails (left and right)	879448-001
------------------------------------	------------

For more information on the removal and replacement procedures, see [Removing and replacing the rack rails](#).

## Drive blank spare parts

Customer self repair: Mandatory

Description	Spare part number
-------------	-------------------

LFF drive blank	827363-001
-----------------	------------

SFF drive blank	670033-001
-----------------	------------

E3.S drive blank	P52488-001
------------------	------------

For more information on the removal and replacement procedures, see [Removing and replacing a drive blank](#).

## System components

Hewlett Packard Enterprise continually improves and changes product parts. For complete and current supported spare parts information, see the Hewlett Packard Enterprise PartSurfer website:

<https://www.hpe.com/info/partssurfer>

[https://sketchfab.com/models/61bf91cc748f40d9ba25097004aafb3f/embed?ui\\_infos=0&ui\\_watermark=0&ui\\_help=0&ui\\_vr=0&ui\\_settings=0&ui\\_inspector=0&ui\\_hint=2&ui\\_color=01a982&ui\\_theme=dark&autostart=1&camera=0&ui\\_animations=0](https://sketchfab.com/models/61bf91cc748f40d9ba25097004aafb3f/embed?ui_infos=0&ui_watermark=0&ui_help=0&ui_vr=0&ui_settings=0&ui_inspector=0&ui_hint=2&ui_color=01a982&ui_theme=dark&autostart=1&camera=0&ui_animations=0)



Item	Description
1	<a href="#">System board spare parts</a>
2	<a href="#">Fan spare part</a>
3	<a href="#">Standard heatsink spare part</a>
4	<a href="#">Processor spare parts</a>
5	<a href="#">Power supply spare parts</a>
6	<a href="#">System battery spare part</a>
7	<a href="#">Performance heatsink spare part</a> <sup>1</sup>
8	<a href="#">DIMM spare parts</a> <sup>1</sup>
9	<a href="#">Drive cable spare parts</a> <sup>1</sup>

<sup>1</sup> Not shown

### Subtopics

- [System board spare parts](#)
- [Heatsink spare parts](#)
- [Processor spare parts](#)
- [Power supply spare parts](#)
- [System battery spare part](#)
- [DIMM spare parts](#)
- [Drive cable spare parts](#)

## System board spare parts

[Customer self repair: Optional](#)

Description	Spare part number
System board for the 4th Gen Intel Xeon Scalable Processors	P53214-001
System board for the 4th and 5th Gen Intel Xeon Scalable Processors	P53214-002
	P53214-003
	P69944-002 (for China only)

For more information on the removal and replacement procedures, see [System board assembly replacement](#).

## Heatsink spare parts

[Customer self repair: Optional](#)

Description	Spare part number
Standard heatsink	P52794-001
Performance heatsink	P52795-001

For more information on the removal and replacement procedures, see [Heatsink replacement](#).

## Processor spare parts

Customer self repair: **Optional**

### 4th Gen Intel Xeon Scalable processors

Description	Spare part number
<b>Intel Xeon Bronze 3400 processor family</b>	—
Intel Xeon 3408U, 1.80 GHz, 8C, 125 W	P60439-001
<b>Intel Xeon Silver 4400 processor family</b>	—
Intel Xeon 4410Y, 2.00 GHz, 12C, 150 W	P60433-001
Intel Xeon 4416+, 2.00 GHz, 20C, 165 W	P60434-001
<b>Intel Xeon Gold 5400 processor family</b>	—
Intel Xeon 5411N, 1.90 GHz, 24C, 165 W	P60447-001
Intel Xeon 5415+, 2.90 GHz, 8C, 150 W	P60426-001
Intel Xeon 5416S, 2.00 GHz, 16C, 150 W	P60452-001
Intel Xeon 5418N, 1.80 GHz, 24C, 165 W	P60448-001
Intel Xeon 5418Y, 2.00 GHz, 24C, 185 W	P60435-001
Intel Xeon 5420+, 2.00 GHz, 28C, 205 W	P60436-001
<b>Intel Xeon Gold 6400 processor family</b>	—
Intel Xeon 6414U, 2.00 GHz, 32C, 250 W	P53123-001
Intel Xeon 6416H, 2.20 GHz, 18C, 165 W	P60442-001
Intel Xeon 6418H, 2.10 GHz, 24C, 185 W	P60443-001
Intel Xeon 6421N, 1.80 GHz, 32C, 185 W	P60449-001
Intel Xeon 6426Y, 2.50 GHz, 16C, 185 W	P60427-001
Intel Xeon 6430, 2.10 GHz, 32C, 270 W	P53120-001
Intel Xeon 6434, 3.70 GHz, 8C, 195 W	P60430-001
Intel Xeon 6438N, 2.00 GHz, 32C, 205 W	P60446-001
Intel Xeon 6438Y+, 2.00 GHz, 32C, 205 W	P60437-001
Intel Xeon 6442Y, 2.60 GHz, 24C, 225 W	P60428-001
Intel Xeon 6448H, 2.40 GHz, 32C, 250 W	P60444-001
Intel Xeon 6448Y, 2.10 GHz, 32C, 225 W	P60429-001
Intel Xeon 6454S, 2.20 GHz, 32C, 270 W	P53136-001
<b>Intel Xeon Platinum processor family</b>	—
Intel Xeon 8444H, 2.90 GHz, 16C, 270 W	P53124-001
Intel Xeon 8452Y, 2.00 GHz, 36C, 300 W	P53121-001
Intel Xeon 8458P, 2.70 GHz, 44C, 350 W	P53133-001
Intel Xeon 8460Y+, 2.00 GHz, 40C, 300 W	P53116-001
Intel Xeon 8468, 2.10 GHz, 48C, 350 W	P53117-001
Intel Xeon 8468V, 2.40 GHz, 48C, 330 W	P53132-001
Intel Xeon 8470, 2.00 GHz, 52C, 350 W	P53118-001
Intel Xeon 8470N, 1.70 GHz, 52C, 300 W	P53130-001
Intel Xeon 8480+, 2.00 GHz, 56C, 350 W	P53119-001
Intel Xeon 8490H, 1.90 GHz, 60C, 350 W	P53129-001

## 5th Gen Intel Xeon Scalable processors

Description	Spare part number
<b>Intel Xeon Bronze 3500 processor family</b>	—
Intel Xeon 3508U, 2.10 GHz, 8C, 125 W	P67660-001
<b>Intel Xeon Silver 4500 processor family</b>	—
Intel Xeon 4509Y, 2.60 GHz, 8C, 125 W	P67651-001
Intel Xeon 4510, 2.40 GHz, 12C, 150 W	P67652-001
Intel Xeon 4514Y, 2.00 GHz, 16C, 150 W	P67653-001
Intel Xeon 4516Y+, 2.20 GHz, 24C, 185 W	P67654-001
<b>Intel Xeon Gold 5500 processor family</b>	—
Intel Xeon 5515+, 3.20 GHz, 8C, 165 W	P67640-001
Intel Xeon 5520+, 2.20 GHz, 28C, 205 W	P67655-001
<b>Intel Xeon Gold 6500 processor family</b>	—
Intel Xeon 6526Y, 2.80 GHz, 16C, 195 W	P67641-001
Intel Xeon 6530, 2.10 GHz, 32C, 270 W	P67656-001
Intel Xeon 6534, 3.90 GHz, 8C, 195 W	P67644-001
Intel Xeon 6538N, 2.10 GHz, 32C, 205 W	P67664-001
Intel Xeon 6538Y+, 2.20 GHz, 32C, 225 W	P67657-001
Intel Xeon 6542Y, 2.90 GHz, 24C, 250 W	P67642-001
Intel Xeon 6548N, 2.80 GHz, 32C, 250 W	P67665-001
Intel Xeon 6548Y+, 2.50 GHz, 32C, 250 W	P67643-001
Intel Xeon 6554S, 2.20 GHz, 36C, 270 W	P67670-001
<b>Intel Xeon Platinum 8500 processor family</b>	—
Intel Xeon 8558, 2.10 GHz, 48C, 330W	P67658-001
Intel Xeon 8558P, 2.70 GHz, 48C, 350W	P67668-001
Intel Xeon 8558U, 2.00 GHz, 48C, 300W	P67662-001
Intel Xeon 8568Y+, 2.30 GHz, 48C, 350W	P67647-001
Intel Xeon 8570, 2.10 GHz, 56C, 350W	P67648-001
Intel Xeon 8580, 2.00 GHz, 60C, 350W	P67649-001
Intel Xeon 8581V, 2.00 GHz, 60C, 270W	P67669-001
Intel Xeon 8592+, 1.90 GHz, 64C, 350W	P67650-001
Intel Xeon 8592V, 2.00 GHz, 64C, 330W	P67667-001

For more information on the removal and replacement procedures, see [Processor replacement](#).

## Power supply spare parts

Customer self repair: **Mandatory**

Description	Spare part number
HPE 500 W Flex Slot Platinum Hot-plug Low Halogen Power Supply	866729-001
HPE 800 W Flex Slot Platinum Hot-plug Low Halogen Power Supply	P39385-001
HPE 1000 W Flex Slot Titanium Hot-plug Power Supply	P44412-001
HPE 1600 W Flex Slot Platinum Hot-plug Low Halogen Power Supply	P39384-001
HPE 1600 W Flex Slot -48 VDC Hot-plug Power Supply	P18510-001
HPE 1800-2200 W Flex Slot Titanium Power Supply	P47163-001

For more information on the removal and replacement procedures, see [Flexible Slot power supply replacement](#).

## System battery spare part

Customer self repair: Mandatory

Description	Spare part number
3.0-V lithium battery coin (CR2032)	319603-001

For more information on the removal and replacement procedures, see [Removing and replacing the system battery](#).

## DIMM spare parts

Customer self repair: Mandatory

Description	Spare part number
<b>4800 MT/s DDR5 DIMMs</b>	—
16 GB, single-rank x8 PC5-4800B-R	P48499-001
32 GB, dual-rank x8 PC5-4800B-R	P48501-001
64 GB, dual-rank x4 PC5-4800B-R	P48502-001
96 GB, dual-rank x4 PC5-4800B-R	P67364-001
128 GB, dual-rank x4 PC5-4800B-R	P71559-021
128 GB, quad-rank x4 PC5-4800B-R	P48503-001
256 GB, octal-rank x4 PC5-4800B-R	P48504-001
<b>5600 MT/s DDR5 DIMMs <sup>1</sup></b>	—
16 GB, single-rank x8 PC5-5600B-R	P65253-001
32 GB, dual-rank x8 PC5-5600B-R	P65254-001
64 GB, dual-rank x4 PC5-5600B-R	P65255-001
96 GB, dual-rank x4 PC5-5600B-R	P65256-001
128 GB, dual-rank x4 PC5-5600B-R	P71561-001
128 GB, quad-rank x4 PC5-5600B-R	P65257-001
256 GB, octal-rank x4 PC5-5600B-R	P65258-001

<sup>1</sup> The DDR 5600 DIMMs are compatible with the 5th Gen Intel Xeon Scalable Processors.

For more information on the removal and replacement procedures, see [Removing and replacing a DIMM](#).

## Drive cable spare parts

**Customer self repair: Mandatory**

Description	Cable PN	Spare PN
4 LFF drive onboard Intel VROC SATA cable for Box 3	P45299-001	P52807-001
8 LFF drive onboard Intel VROC SATA cable for Box 1 and Box 2	P45298-001	
8 SFF drive onboard Intel VROC SATA cable for Box 3	P45293-001	P52809-001
8 SFF NVMe x4 drive direct attach cable for Box 3	P45294-001	P52814-001
12 E3.S drive onboard Intel VROC NVMe cable from Box 3 port 1 and 2	P50268-001	P52810-001 <sup>1</sup>
12 E3.S drive onboard Intel VROC NVMe cable from Box 3 port 3 and 4	P49078-001	
12 E3.S drive onboard Intel VROC NVMe cable from Box 3 port 5 and 6	P49004-001	
4 LFF SAS/SATA drive controller cable for type-o controller	P49936-001	P52804-001
8 LFF SAS/SATA drive controller cable for type-o controller	P45306-001	
4 LFF SAS/SATA drive controller cable for type-p controller	P45300-001	P52803-001
8 LFF SAS/SATA drive controller cable for type-p controller	P45301-001	
8/16 SFF SAS/NVMe x1 drive controller cable for type-o controller	P45304-001	P52808-001
8 SFF SAS/ NVMe x1 drive controller for type-p controller	P45297-001	P52806-001
16 SFF SAS/ NVMe x1 drive controller for type-p controller	P45296-001	P52805-001
LFF/SFF drive power cable	869825-001	875096-001
E3.S drive power cable	P49005-001	P52810-001 <sup>1</sup>

<sup>1</sup> This E3.S cable spare kit includes four cables.

## Server options

Hewlett Packard Enterprise continually improves and changes product parts. For complete and current supported spare parts information, see the Hewlett Packard Enterprise PartSurfer website:

<https://www.hpe.com/info/partssurfer>

[https://sketchfab.com/models/283d173b89a84c9799c4577960e4b6cd/embed?ui\\_infos=0&ui\\_watermark=0&ui\\_help=0&ui\\_vr=0&ui\\_settings=0&ui\\_inspector=0&ui\\_hint=2&ui\\_color=01a982&ui\\_theme=dark&autostart=1&camera=0&ui\\_animations=0](https://sketchfab.com/models/283d173b89a84c9799c4577960e4b6cd/embed?ui_infos=0&ui_watermark=0&ui_help=0&ui_vr=0&ui_settings=0&ui_inspector=0&ui_hint=2&ui_color=01a982&ui_theme=dark&autostart=1&camera=0&ui_animations=0)

Item	Description
1	SFF hot-plug drive For more information on the removal and replacement procedures, see <a href="#">Removing and replacing a hot-plug drive</a> .
2	<a href="#">8 SFF drive backplane spare part</a>
3	<a href="#">Chassis intrusion detection switch spare part</a>
4	<a href="#">Energy pack spare parts</a>
5	<a href="#">HPE NS204i-u Boot Device spare parts</a>
6	M.2 SSD For more information on the removal and replacement procedures, see <a href="#">Removing and replacing a boot device drive</a> .
7	<a href="#">M.2 SSD carrier spare part</a>
8	<a href="#">Serial port cable spare part</a>
9	<a href="#">PCIe5 4 x8 riser spare part</a>
10	<a href="#">External fan spare part</a>
11	E3.S hot-plug drive <sup>1</sup> For more information on the removal and replacement procedures, see <a href="#">Removing and replacing a hot-plug drive</a> .
12	LFF hot-plug drive <sup>1</sup> For more information on the removal and replacement procedures, see <a href="#">Removing and replacing a hot-plug drive</a> .
13	<a href="#">4 LFF drive backplane spare part</a> <sup>1</sup>
14	<a href="#">E3.S drive backplane spare part</a> <sup>1</sup>
15	SAS LTO tape drive <sup>1</sup> For more information on the removal and replacement procedures, see <a href="#">Removing and replacing a SAS LTO tape drive</a> .
16	USB RDX docking station <sup>1</sup> For more information on the removal and replacement procedures, see <a href="#">Removing and replacing a USB RDX docking station</a> .
17	Optical drive <sup>1</sup> For more information on the removal and replacement procedures, see <a href="#">Removing and replacing the optical drive</a> .
18	Internal USB device <sup>1</sup> For more information on the removal and replacement procedures, see <a href="#">Removing and replacing an internal USB device</a> .
19	<a href="#">PCIe5 2 x16 riser spare part</a> <sup>1</sup>
20	<a href="#">Tertiary riser spare part</a> <sup>1</sup>
21	<a href="#">HPE SR and MR type-p PCIe plug-in storage controller spare parts</a> <sup>1</sup>
22	<a href="#">HPE MR type-o storage controller spare parts</a>
23	OCP NIC 3.0 adapter <sup>1</sup> For more information on the removal and replacement procedures, see <a href="#">Removing and replacing the OCP NIC 3.0 adapter</a> .

Item	Description
24	Transceiver <sup>1</sup> For more information on the removal and replacement procedures, see <a href="#">Transceiver replacement</a> .
25	<a href="#">Media device cable spare parts</a> <sup>1</sup>
26	<a href="#">OCP bandwidth upgrade cable spare part</a> <sup>1</sup>
27	<a href="#">Tertiary riser signal cable spare part</a> <sup>1</sup>
28	<a href="#">GPU auxiliary power cable spare parts</a> <sup>1</sup>

<sup>1</sup> Not shown

### Subtopics

- [Drive backplane spare parts](#)
- [Chassis intrusion detection switch spare part](#)
- [Energy pack spare parts](#)
- [HPE NS204i-u Boot Device spare parts](#)
- [Serial port cable spare part](#)
- [Riser board spare parts](#)
- [External fan spare parts](#)
- [Storage controller spare parts](#)
- [Media device cable spare parts](#)
- [OCP bandwidth upgrade cable spare part](#)
- [Tertiary riser signal cable spare part](#)
- [GPU auxiliary power cable spare parts](#)

## Drive backplane spare parts

Customer self repair: Mandatory

Description	Spare part number
4 LFF 12G x1 SAS / SATA UBM3 LP	P48075-001
8 SFF 24G x1 U.3 NVMe / SAS UBM3 BC	P39781-001
8 SFF 24G x1 U.3 NVMe / SAS UBM6 BC	P62070-001
8 SFF 24G x4 U.3 NVMe / SAS UBM3 BC	P39780-001
8 SFF 24G x4 U.3 NVMe / SAS UBM6 BC	P62065-001
12 E3.S 32G x4 NVMe UMB5 EC	P53217-001
12 E3.S 32G x4 NVMe UMB7 EC	P65766-001

For more information on the removal and replacement procedures, see following:

- [Removing and replacing the 4 LFF drive backplane](#)
- [Removing and replacing the 8 SFF drive backplane](#)
- [Removing and replacing the E3.S drive backplane](#)

## Chassis intrusion detection switch spare part

Customer self repair: Mandatory

Description	Spare part number
Chassis intrusion detection switch	P52442-001

For more information on the removal and replacement procedures, see [Removing and replacing the chassis intrusion detection switch](#).

## Energy pack spare parts

Customer self repair: Mandatory

Description	Spare part number
HPE Smart Storage Battery 96 W, 260 mm cable	878644-001
HPE Smart Storage Hybrid Capacitor, 260 mm cable	P07474-001
Energy pack extension cable	P52804-001

For more information on the removal and replacement procedures, see [Removing and replacing the energy pack](#).

## HPE NS204i-u Boot Device spare parts

Customer self repair: Mandatory

Description	Spare part number
Boot device cage assembly	P51341-001
M.2 SSD carrier	P59777-001
480 GB NVMe RI M.2 SV 2280 SSD	P69616-001
Boot device SlimSAS and power cables	P52811-001

For more information on the removal and replacement procedures, see [HPE NS204i-u Boot Device replacement](#).

## Serial port cable spare part

Customer self repair: Mandatory

Description	Spare part number
Serial port cable	P56488-001

For more information on the removal and replacement procedures, see [Removing and replacing the serial port cable](#).

## Riser board spare parts

Customer self repair: Mandatory



Description	Spare part number
PCIe5 4 x8 slots riser	P52790-001
PCIe5 2 x16 slots riser	P52791-001

Customer self repair: Optional

Description	Spare part number
Tertiary riser	P53213-001

For more information on the removal and replacement procedures, see:

- [Removing and replacing the primary/secondary riser board](#)
- [Removing and replacing the tertiary riser board](#)

## External fan spare parts

Customer self repair: Mandatory

Description	Spare part number
External fan spare kit, includes:	P52813-001
<ul style="list-style-type: none"> <li>• External fan</li> <li>• External fan cable</li> </ul>	

For more information on the removal and replacement procedures, see:

- [Fan replacement](#)
- [Removing and replacing the external fan cable](#)

## Storage controller spare parts

Customer self repair: Optional

Description	Spare part number
<b>HPE Gen11 type-o controllers</b>	—
HPE MR216i-o Gen11 controller	P47954-001
HPE MR408i-o Gen11 controller	P58543-001
HPE MR416i-o Gen11 controller	P47952-001
<b>HPE Gen11 type-p controllers</b>	—
HPE MR216i-p Gen11 controller	P47953-001
HPE MR416i-p Gen11 controller	P47951-001
HPE SR932i-p Gen11 controller	P47623-001
<b>HPE Gen10 type-p controller</b>	—
HPE Smart Array E208e-p SR Gen10 Controller	836267-001

For more information on the removal and replacement procedures, see:

- [Removing and replacing a type-o storage controller](#)
- [Removing and replacing a type-p storage controller](#)

Customer self repair: Mandatory

Description	Spare part number
Storage controller backup power cable (cable PN: 877850-001)	878646-001

## Media device cable spare parts

Customer self repair: Mandatory

Cable description and PN	Spare part number
LTO/Box 3 SlimSAS storage cable to type-p controller: P49006-001	P68552-001
LTO/Box 3 SlimSAS storage cable to type-o controller: P49007-001	P75595-001
Internal RDX USB 3.0 cable: 876507-002	879453-001
LTO/RDX power splitter cable: P45303-001	P52812-001
Optical drive cable: 756914-001	784623-001

## OCP bandwidth upgrade cable spare part

Customer self repair: Mandatory

Description	Spare part number
OCP bandwidth upgrade cable kit, includes:	P52801-001
<ul style="list-style-type: none"><li>• OCP NIC 3.0 x16 upgrade cable for OCP Slot 14</li><li>• OCP NIC 3.0 x16 upgrade cable for OCP Slot 15</li><li>• Dual OCP slot upgrade cable</li></ul>	

## Tertiary riser signal cable spare part

Customer self repair: Mandatory

Description	Spare part number
Tertiary riser signal cable	P52815-001

## GPU auxiliary power cable spare parts

Customer self repair: Mandatory

Description	Spare part number
16-pin GPU auxiliary power Y-cable	P59963-001
8-pin GPU auxiliary power cable	875097-001 <sup>1</sup>

<sup>1</sup> This is a miscellaneous cable spare kit; only the component cable listed in this table is used in this server.

## Removal and replacement procedures

This chapter provides detailed instructions on how to remove and replace component spare parts.

### Subtopics

[Safety considerations](#)

[Preparation procedures](#)

[Removing and replacing the front bezel](#)

[Removing and replacing a hot-plug LFF/SFF/E3.S drive](#)

[Removing and replacing the drive box blank](#)

[Removing and replacing a drive blank](#)

[Removing and replacing the media bay filler panel](#)

[Removing and replacing the cable management arm](#)

[Removing and replacing the rack rails](#)

[Flexible Slot power supply replacement](#)

[Removing and replacing a power supply blank](#)

[Transceiver replacement](#)

[Media device replacement](#)

[Removing and replacing the front I/O module](#)

[Drive backplane replacement](#)

[Fan replacement](#)

[Removing and replacing the external fan cable](#)

[Removing and replacing the fan blank](#)

[Removing and replacing the fan cage](#)

[Removing and replacing a DIMM](#)

[Removing and replacing a DIMM guard](#)

[Heatsink replacement](#)

[Processor replacement](#)

[Expansion card replacement](#)

[Removing and replacing a type-o storage controller](#)

[HPE NS204i-u Boot Device replacement](#)

[Riser board replacement](#)

[Removing and replacing the internal USB device](#)

[Removing and replacing the energy pack](#)

[Removing and replacing the energy pack holder](#)

[Removing and replacing a cable clamp](#)

[Removing and replacing the boot device blank](#)

[Removing and replacing the secondary riser cage blank](#)

[Removing and replacing the tertiary riser slot cover](#)

[Removing and replacing the external fan connector blank](#)

[Removing and replacing the chassis intrusion detection switch](#)

[Removing and replacing the OCP NIC 3.0 adapter](#)

[Removing and replacing an OCP slot blank](#)

[Removing and replacing the serial port cable](#)

[Removing and replacing the serial port blank](#)

## Safety considerations

Before performing service procedures, review all the safety information.

### Subtopics

[Electrostatic discharge](#)

[Symbols on equipment](#)

[Rack warnings and cautions](#)

[Server warnings and cautions](#)

## Electrostatic discharge

Be aware of the precautions you must follow when setting up the system or handling components. A discharge of static electricity from a finger or other conductor may damage system boards or other static-sensitive devices. This type of damage may reduce the life expectancy of the system or component.

To prevent electrostatic damage:

- Avoid hand contact by transporting and storing products in static-safe containers.
- Keep electrostatic-sensitive parts in their containers until they arrive at static-free workstations.
- Place parts on a grounded surface before removing them from their containers.
- Avoid touching pins, leads, or circuitry.
- Always be properly grounded when touching a static-sensitive component or assembly. Use one or more of the following methods when handling or installing electrostatic-sensitive parts:
  - Use a wrist strap connected by a ground cord to a grounded workstation or computer chassis. Wrist straps are flexible straps with a minimum of 1 megohm  $\pm$ 10 percent resistance in the ground cords. To provide proper ground, wear the strap snug against the skin.
  - Use heel straps, toe straps, or boot straps at standing workstations. Wear the straps on both feet when standing on conductive floors or dissipating floor mats.
  - Use conductive field service tools.
  - Use a portable field service kit with a folding static-dissipating work mat.

If you do not have any of the suggested equipment for proper grounding, have an authorized reseller install the part.

For more information on static electricity or assistance with product installation, contact an authorized reseller.

## Symbols on equipment

The following symbols may be placed on equipment to indicate the presence of potentially hazardous conditions:



This symbol in conjunction with any of the following symbols indicates the presence of a potential hazard. The potential for injury

exists if warnings are not observed. Consult your documentation for specific details.

該符號與以下任意符號組合使用，指示存在潛在的危險。如果不遵守警告，可能會造成人身傷害。詳細信息請參閱相關文檔。



This symbol indicates the presence of hazardous energy circuits or electric shock hazards. Refer all servicing to qualified personnel.



**WARNING**

To reduce the risk of injury from electric shock hazards, do not open this enclosure. Refer all maintenance, upgrades, and servicing to qualified personnel.

此符號表明存在危險電路或觸電的危險。所有維修工作應由具有相關資格的人員來完成。

警告：為了減少觸電造成人身傷害的危險，請不要打開此外殼。所有維護、升級和維修工作都應由具有相關資格的人員來完成。



This symbol indicates the presence of electric shock hazards. The area contains no user or field-serviceable parts. Do not open for any reason.



**WARNING**

To reduce risk of injury from electric shock hazards, do not open this enclosure.

此符號表明存在觸電的危險。在這一區域內沒有用戶可以現場維修的部件。一定不要打開。警告：為了減少觸電造成人身傷害的危險，請不要打開此外殼。



This symbol on an RJ-45 receptacle indicates a Network Interface Connection.



**WARNING**

To reduce risk of electric shock, fire, or damage to the equipment, do not plug telephone or telecommunications connectors into this receptacle.

RJ-45 插孔上的該符號指示網絡接口連接。

警告：為了減少觸電、火災或設備損壞的危險，不要將電話或電信連接設備插入此插孔。



This symbol indicates the presence of a hot surface or hot component. If this surface is contacted, the potential for injury exists.

**WARNING**

To reduce the risk of injury from a hot component, allow the surface to cool before touching.

此符號表明表面或組件過熱。如果觸摸此表面，可能會造成人身傷害。警告：為了減少因組件過熱而造成人身傷害的危險，應等到表面降溫後再觸摸。

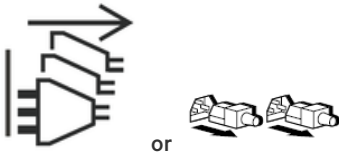


This symbol indicates the presence of a moving fan blade. If the spinning blades are contacted, the potential for injury exists.

**WARNING**

Hazardous moving parts. Keep away from moving fan blades. To reduce the risk of injury from a hot component, allow the surface to cool before touching.

此符號表明存在運動風扇葉片的危險。如果觸摸旋轉葉片，可能會造成人身傷害。警告：危險的運動部件。請遠離運動風扇刀片。為減少被高溫組件燙傷的危險，應在表面冷卻之後再接觸。



These symbols on power supplies or systems indicate that the equipment is supplied by multiple sources of power.

**WARNING**

To reduce the risk of injury from electric shock, remove all power cords to completely disconnect power from the system.

電源或系統上的這些符號表明設備由多個電源供電。警告：為了減少觸電造成人身傷害的危險，應拔下所有電源線插頭，完全斷開系統的電源。



Weight in kg.

Weight in lb.

This symbol indicates that the component exceeds the recommended weight for one individual to handle safely.

**WARNING**

To reduce the risk of personal injury or damage to the equipment, observe local occupational health and safety requirements and guidelines for manual material handling.

此符號表明組件的重量超出了建議值，一個人無法安全取放。警告：為了減少人身傷害或設備損壞的危險，應遵守當地有關人工取放物品的職業保健與安全規定及準則。



A discharge of static electricity from a finger or other conductor may damage system boards or other static-sensitive devices. To prevent damage, observe antistatic precautions.

手指或其它導體所釋放的靜電可能損壞主板或其它對靜電敏感的設備。為防止發生損壞，請遵守防靜電預防措施。



These symbols appearing together indicate that the product may have high touch current and that a reliable earth ground must be in place before connecting the equipment.



**WARNING**

Risk of electric shock due to high touch current. Connect to earth before connecting to supply.



This symbol indicates the presence of a laser device in the product that may exceed Class 1 limits. Refer to the product documentation for more information.

此符號表明在可能會超出 1 類限制的產品中存在激光設備。有關詳細信息，請參閱產品文檔。



This symbol indicates the presence of moving parts inside the product that may present a pinch point if improperly contacted.



**WARNING**

Hazardous moving parts. Do not insert any tools or any part of your body into the product while it is operating or in any openings.



This symbol indicates the presence of coin cell battery.



**WARNING**

- **INGESTION HAZARD:** This product contains a button cell or coin battery.
- **DEATH** or serious injury can occur if ingested.
- A swallowed button cell or coin battery can cause Internal Chemical Burns in as little as 2 hours.
- **KEEP** new and used batteries **OUT OF REACH** of CHILDREN.
- Seek immediate medical attention if a battery is suspected to be swallowed or inserted inside any part of the body.

## Rack warnings and cautions



### WARNING

When all components are removed, the server weighs 10.40 kg (22.93 lb). When all components are installed, the server can weigh up to 19 kg (41.89 lb).

Before configuring your rack solution, be sure to check the rack manufacturer weight limits and specifications. Failure to do so can result in physical injury or damage to the equipment and the facility.



### WARNING

The server is heavy. To reduce the risk of personal injury or damage to the equipment, do the following:

- Observe local occupational health and safety requirements and guidelines for manual material handling.
- Get help to lift and stabilize the product during installation or removal, especially when the product is not fastened to the rails. The server weighs more than 10.40 kg (22.93 lb), so at least two people must lift the server into the rack together. An additional person may be required to help align the server if the server is installed higher than chest level.
- Use caution when installing the server in or removing the server from the rack.
- Adequately stabilize the rack before extending a component outside the rack. Extend only one component at a time. A rack may become unstable if more than one component is extended.
- Do not stack anything on top of rail-mounted component or use it as a work surface when extended from the rack.



### WARNING

To reduce the risk of personal injury or damage to the equipment, be sure that:

- The rack has anti-tip measures in place. Such measures include floor-bolting, anti-tip feet, ballast, or a combination as specified by the rack manufacturer and applicable codes.
- The leveling jacks (feet) are extended to the floor.
- The full weight of the rack rests on the leveling jacks (feet).
- The stabilizing feet are attached to the rack if it is a single-rack installation.
- The racks are coupled together in multiple rack installations.



### WARNING

To reduce the risk of personal injury or equipment damage when unloading a rack:

- At least two people are needed to safely unload the rack from the pallet. An empty 42U rack can weigh as much as 115 kg (253 lb), can stand more than 2.1 m (7 ft) tall, and might become unstable when being moved on its casters.
- Never stand in front of the rack when it is rolling down the ramp from the pallet. Always handle the rack from both sides.



**CAUTION**

Always plan the rack installation so that the heaviest item is on the bottom of the rack. Install the heaviest item first, and continue to populate the rack from the bottom to the top.

**CAUTION**

Before installing the server in a rack, be sure to properly scope the limitations of the rack. Before proceeding with the installation, consider the following:

- You must fully understand the static and dynamic load carrying capacity of the rack and be sure that it can accommodate the weight of the server.
- Be sure sufficient clearance exists for cabling, installation and removal of the server, and movement of the rack doors.

## Server warnings and cautions

**WARNING**

To reduce the risk of personal injury, electric shock, or damage to the equipment, disconnect the power cord to remove power from the server. Pressing the Power On/Standby button does not shut off system power completely. Portions of the power supply and some internal circuitry remain active until AC power is removed.

**WARNING**

To reduce the risk of personal injury from hot surfaces, allow the drives and the internal system components to cool before touching them.

**WARNING**

To reduce the risk of fire or burns after removing the energy pack:

- Do not disassemble, crush, or puncture the energy pack.
- Do not short external contacts.
- Do not dispose of the energy pack in fire or water.
- Do not expose the energy pack to low air pressure as it might lead to explosion or leakage of flammable liquid or gas.
- Do not expose the energy pack to temperatures higher than 60°C (140°F).

After power is disconnected, battery voltage might still be present for 1s to 160s.

**CAUTION**

Protect the server from power fluctuations and temporary interruptions with a regulating UPS. This device protects the hardware from damage caused by power surges and voltage spikes and keeps the server in operation during a power failure.

**CAUTION**

To prevent damage to electrical components, properly ground the server before beginning any installation, removal, or replacement procedure. Improper grounding can cause electrostatic discharge.



#### CAUTION

To avoid data loss, Hewlett Packard Enterprise recommends that you back up all server data before installing or removing a hardware option, or performing a server maintenance or troubleshooting procedure.



#### CAUTION

Do not operate the server for long periods with the access panel open or removed. Operating the server in this manner results in improper airflow and improper cooling that can lead to thermal damage.

## Preparation procedures

### Prerequisites

Before powering down the server for an upgrade, maintenance, or service procedure, perform a backup of critical server data.

### About this task

To access components and perform certain upgrade, maintenance, or service procedure, you must perform one or more of the procedures described in this section.

#### Subtopics

[Server data backup](#)

[Power down the server](#)

[Extend the server from the rack](#)

[Remove the server from the rack](#)

[Position the tower server for hardware configuration](#)

[Remove the access panel](#)

[Remove the primary riser cage](#)

[Remove the secondary riser cage](#)

[Power up the server](#)

## Server data backup

To avoid data loss, make sure to back up all server data before installing or removing a hardware option, performing a server maintenance, or a troubleshooting procedure.

Server data in this context refers to information that may be required to return the system to a normal operating environment after completing a hardware maintenance or troubleshooting procedure. This information may include:

- User data files
- User account names and passwords
- Application settings and passwords
- Component drivers and firmware
- TPM recovery key/password
- BIOS configuration settings—Use the backup and restore function in UEFI System Utilities. For more information, see the UEFI user guide (<https://www.hpe.com/support/hpeuefisystemutilities-quicklinks>).
  - Custom default system settings

- Security passwords including those required for power-on and BIOS admin access, persistent memory, and Server Configuration Lock (for HPE Trusted Supply Chain servers)
- Server serial number and the product ID
- iLO-related data—Use the iLO backup and restore function. For more information, see the iLO user guide (<https://www.hpe.com/support/hpeilodocs-quicklinks>).
  - iLO license
  - Customer iLO user name, password, and DNS name
  - iLO configuration settings

## Power down the server

Before powering down the server for any upgrade or maintenance procedures, perform a backup of critical server data and programs.



### IMPORTANT

When the server is in standby mode, auxiliary power is still being provided to the system.

To power down the server, use one of the following methods:

- Press and release the Power On/Standby button.  
This method activates a controlled shutdown of applications and the OS before the server enters standby mode. It can also activate a shutdown behavior governed by an OS configuration or policy.
- Press and hold the Power On/Standby button for more than 4 seconds to force the server to enter standby mode.  
This method forces the server to enter standby mode without properly exiting applications and the OS. If an application stops responding, you can use this method to force a shutdown.
- Use a virtual power button selection through iLO 6.  
This method initiates a controlled remote shutdown of applications and the OS before the server enters standby mode.

Before proceeding, verify that the server is in standby mode by observing that the system power LED is amber.

## Extend the server from the rack

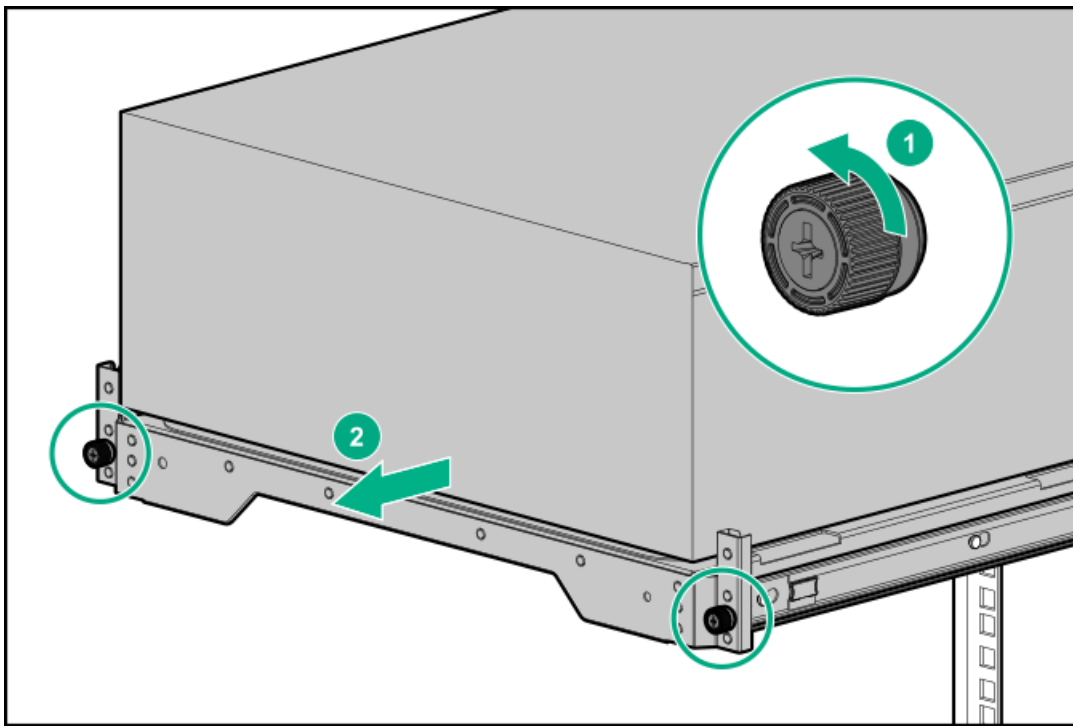
### Prerequisites

Before you perform this procedure, review the [Rack warnings and cautions.](#)

### Procedure

Slide the server tray out of the rack:

1. Loosen the server tray thumbscrews.
2. Grasp the tray notch and slide the server out of the rack.



## Remove the server from the rack

### Prerequisites

- Get help to lift and stabilize the server during removal from the rack. **If the server is installed higher than chest level, additional two people might be required to help remove the server:** One person to support the server weight, and the other two to slide the server out of the rack.
- Before you perform this procedure, review the:
  - [Rack warnings and cautions](#)
  - [Server warnings and cautions](#)
- A fully populated server is heavy. Hewlett Packard Enterprise recommends removing the external chassis components before removing the server from a rack.
- Before you perform this procedure, make sure that you have a T-15 Torx screwdriver available.

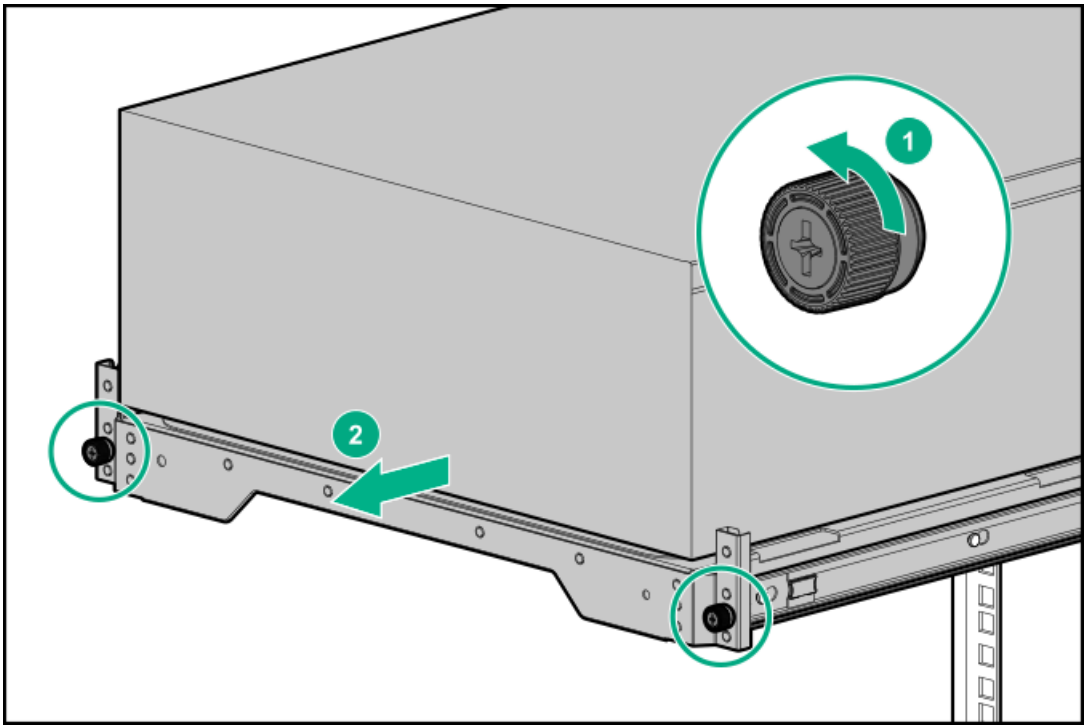
### Procedure

1. [Power down the server.](#)
2. Remove all power:
  - a. Disconnect each power cord from the power source.
  - b. Disconnect each power cord from the server.
3. Disconnect all peripheral cables from the server.
4. If installed, unlock and remove the security padlock and/or the Kensington security lock.

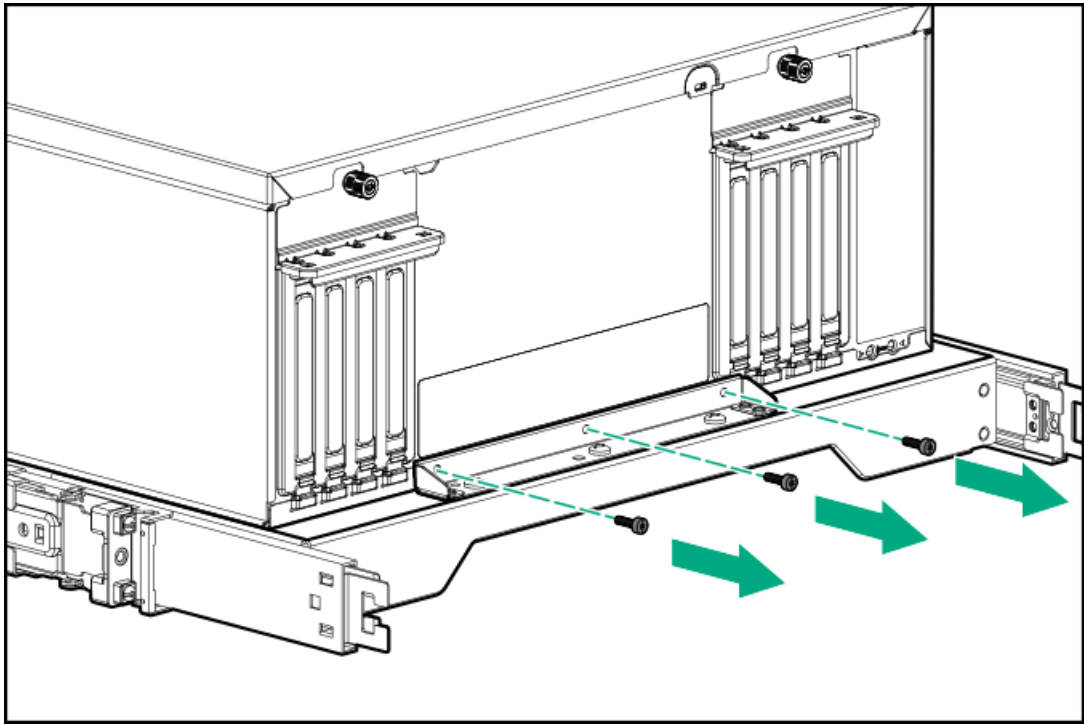
For more information, see the lock documentation.

5. Slide the server tray out of the rack:
  - a. Loosen the server tray thumbscrews.

b. Grasp the tray notch and slide the server out of the rack.

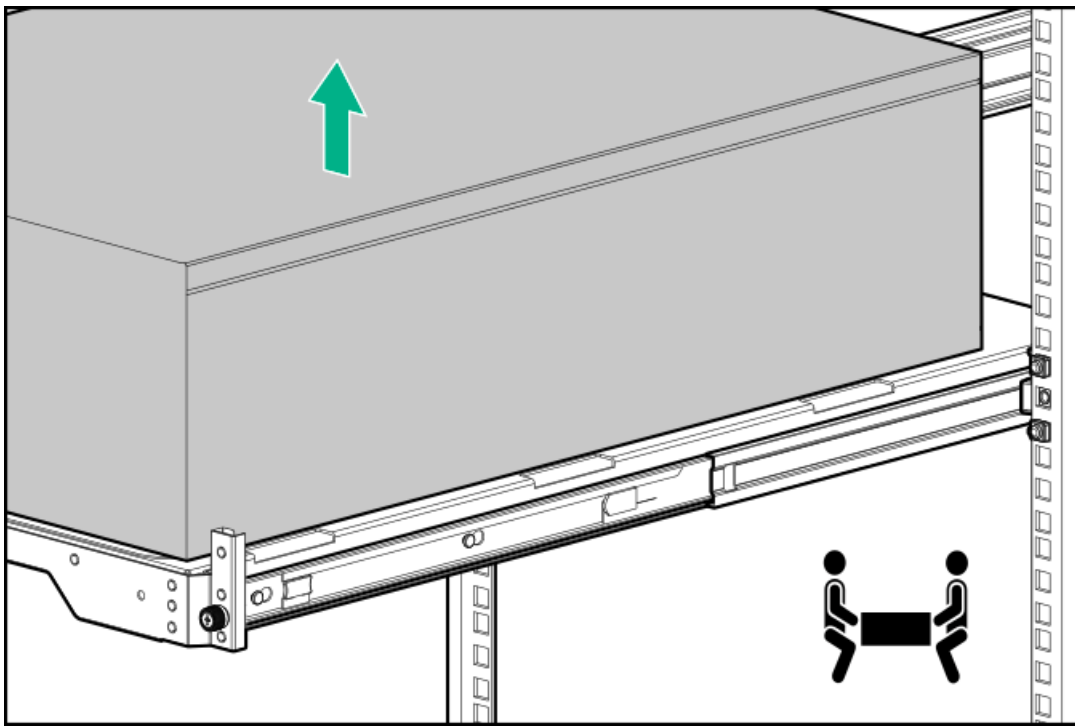


6. Remove the chassis rear bracket screws.



7. Remove the server from the tray.



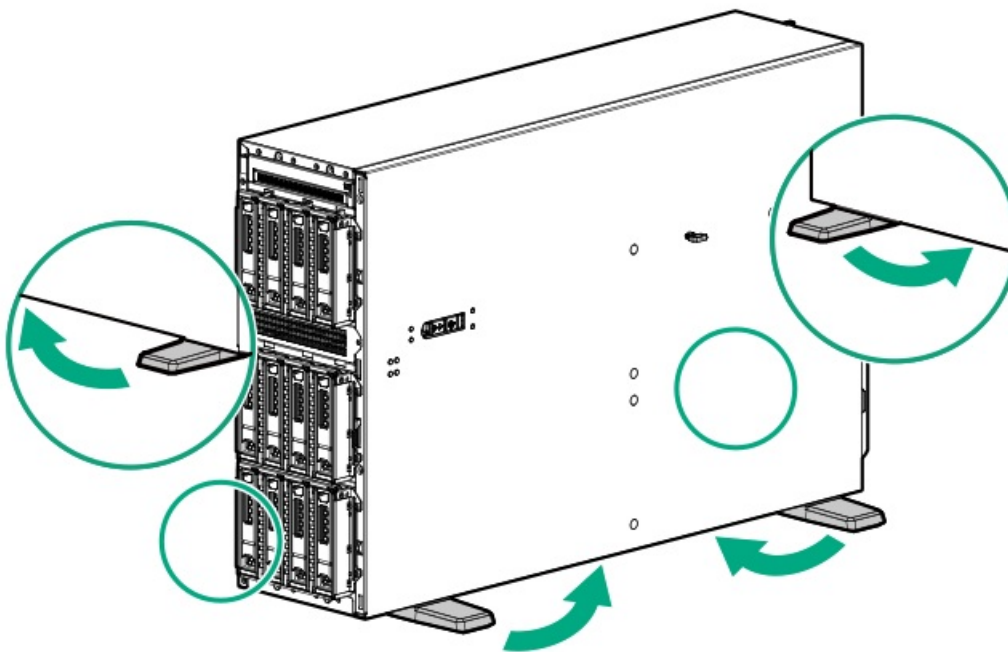


8. Place the server on a flat, level surface with the access panel facing up.

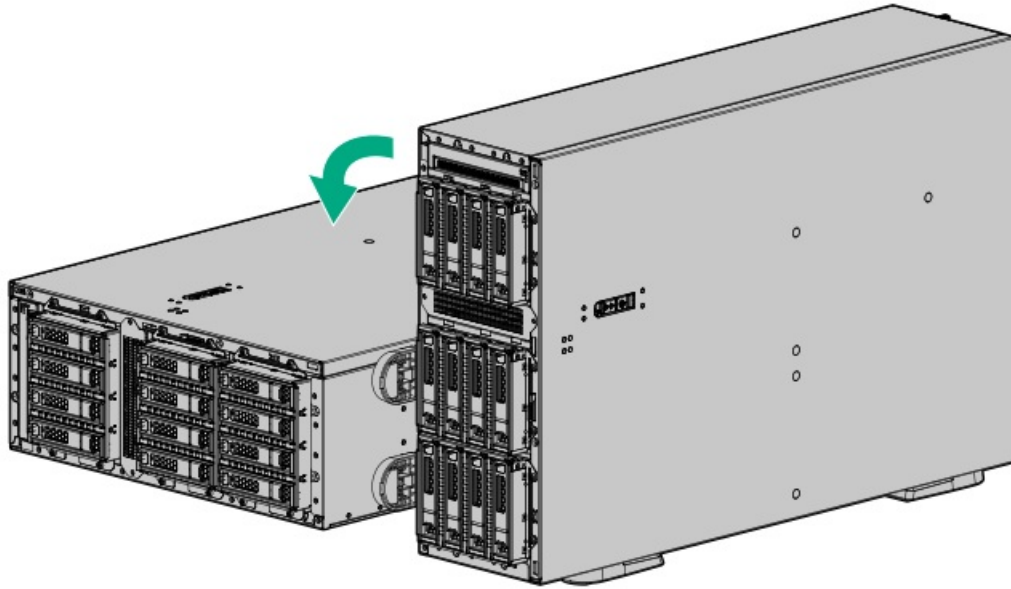
## Position the tower server for hardware configuration

### Procedure

1. Rotate the chassis feet inward.



2. Place the server on a flat, level surface with the access panel facing up.



## Remove the access panel

### Prerequisites

Before you perform this procedure, make sure that you have a T-15 Torx screwdriver available.

### About this task

[https://support.hpe.com/hpesc/public/videoDisplay?videoid=vpsg00005488en\\_us&noframe](https://support.hpe.com/hpesc/public/videoDisplay?videoid=vpsg00005488en_us&noframe)



#### WARNING

To reduce the risk of personal injury from hot surfaces, allow the drives and the internal system components to cool before touching them.



#### CAUTION

To prevent damage to electrical components, properly ground the server before beginning any installation, removal, or replacement procedure. Improper grounding can cause electrostatic discharge.



#### CAUTION

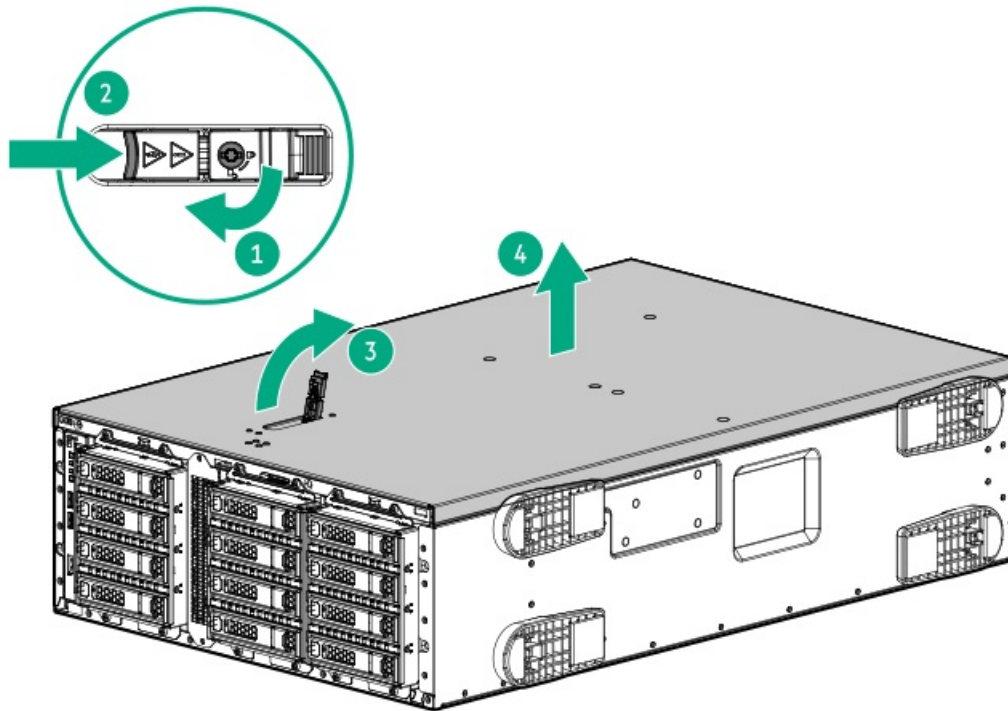
To maintain proper system cooling, do not operate the server for long period with the access panel open or removed. Operating the server in this manner results in an improper system airflow. For internal hot-plug component procedures, complete the procedure within 60 seconds. Failure to do so can cause the system temperature to increase and trip the safety threshold. When this happens:

- The health LED flashes amber.
- The operating system gracefully shuts down.

## Procedure

1. Power down the server.

2. Remove all power:
  - a. Disconnect each power cord from the power source.
  - b. Disconnect each power cord from the server.
3. Disconnect all peripheral cables from the server.
4. If the server is in tower mode, place the server on a flat, level surface with the access panel facing up.
5. If the server is in rack mode, do one of the following:
  - Extend the server from the rack.
  - Remove the server from the rack.
6. Unlock the front bezel.
7. Remove the access panel:
  - a. If necessary, unlock the access panel latch.
  - b. To disengage the access panel from the chassis, press the release button and pull up the latch.
  - c. Lift the access panel.



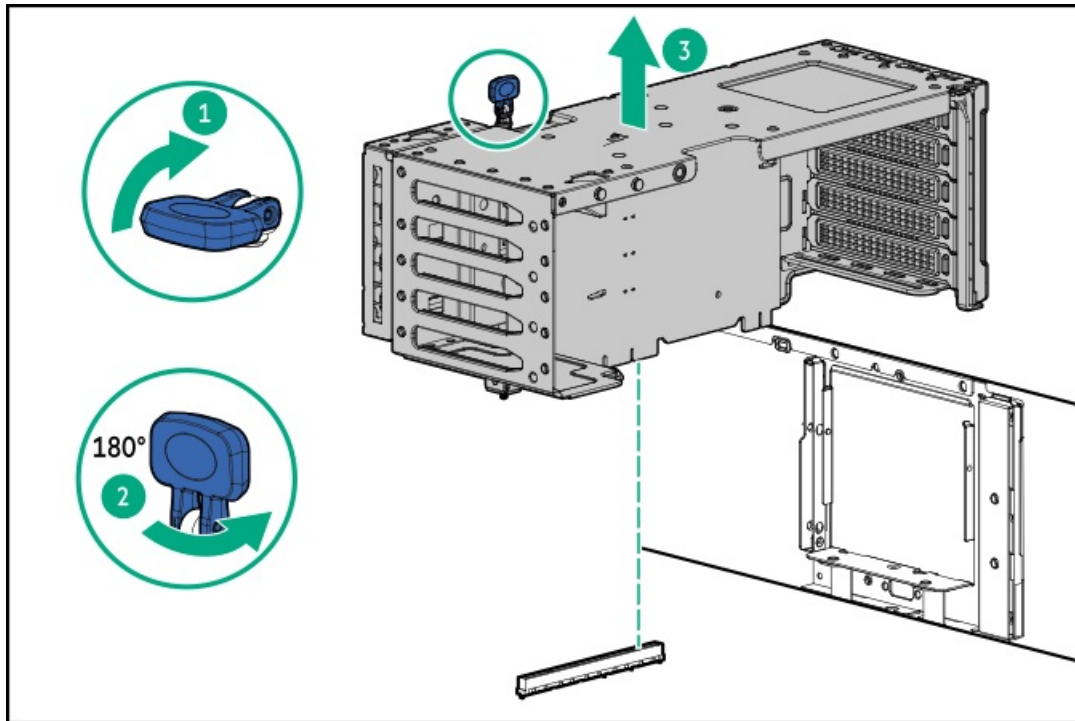
## Remove the primary riser cage

### Procedure

1. Power down the server.
2. Remove all power:
  - a. Disconnect each power cord from the power source.
  - b. Disconnect each power cord from the server.
3. Disconnect all peripheral cables from the server.



4. Do one of the following:
  - If the server is in tower mode, place the server on a flat, level surface with the access panel facing up.
  - If the server is in rack mode, remove the server from the rack.
5. Unlock the front bezel.
6. Remove the access panel.
7. If an expansion card with internal cables is installed on the riser, disconnect all cables from the expansion card.
8. Remove the primary riser cage:
  - a. Release the half-turn spring latch.
  - b. Lift the riser cage off the system board.

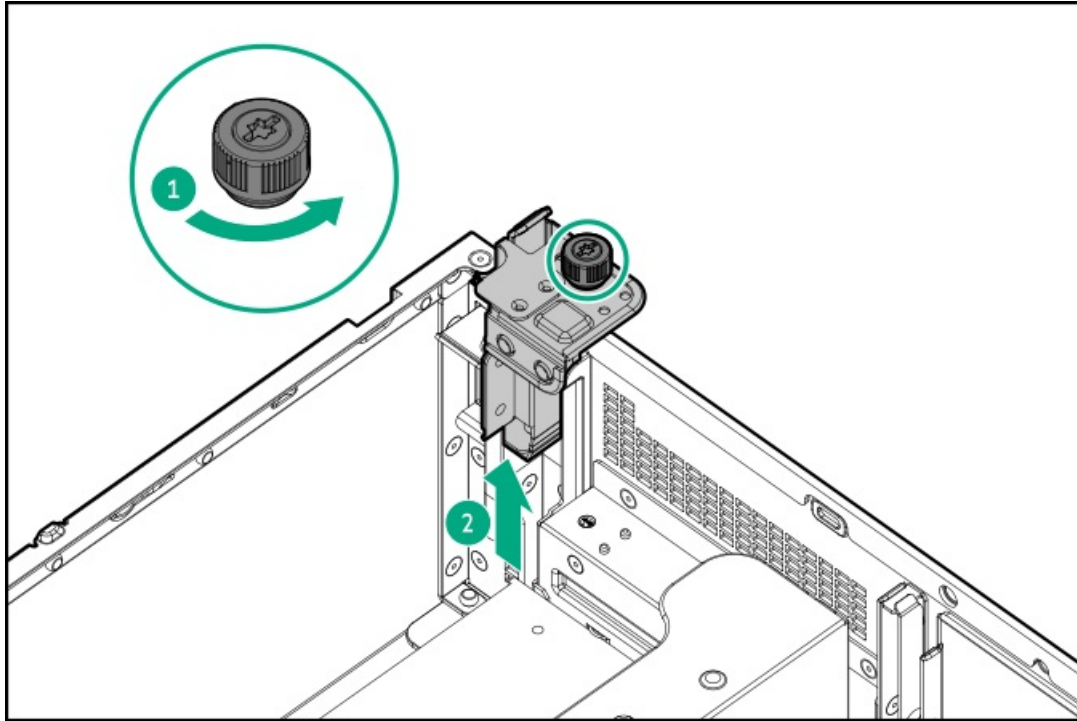


## Remove the secondary riser cage

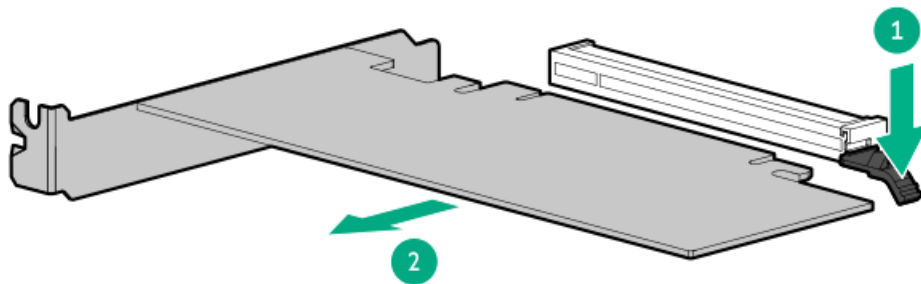
### Procedure

1. Power down the server.
2. Remove all power:
  - a. Disconnect each power cord from the power source.
  - b. Disconnect each power cord from the server.
3. Disconnect all peripheral cables from the server.
4. Do one of the following:
  - If the server is in tower mode, place the server on a flat, level surface with the access panel facing up.
  - If the server is in rack mode, remove the server from the rack.
5. Unlock the front bezel.

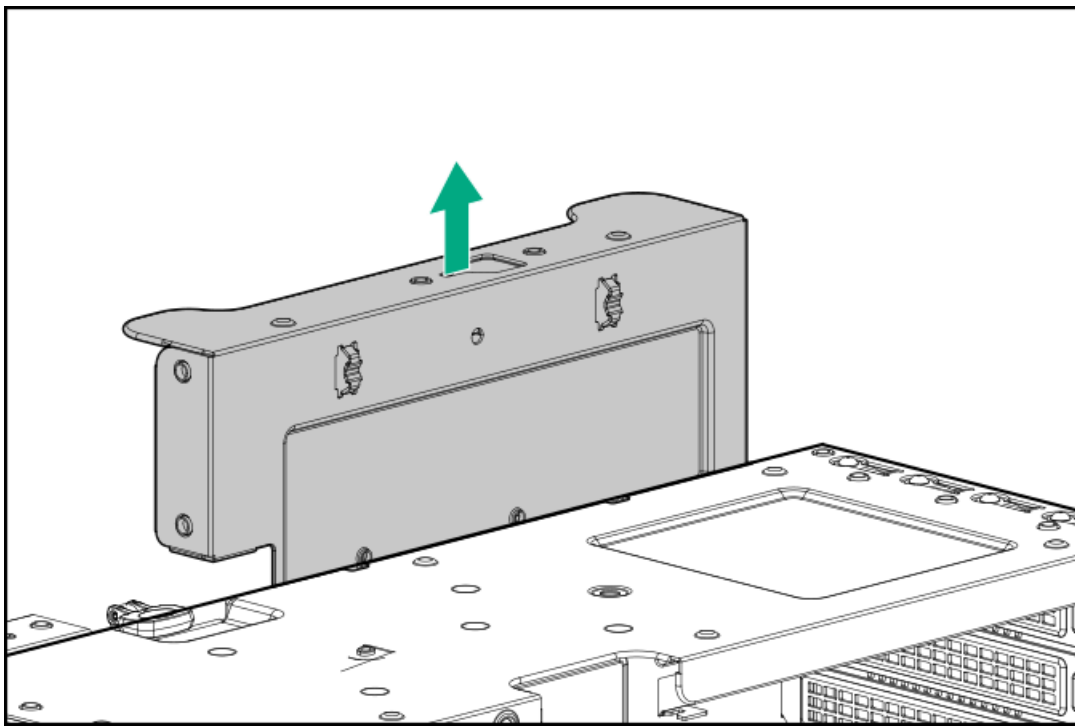
6. Remove the access panel.
7. If an expansion card with internal cables is installed on the riser, disconnect all cables from the expansion card.
8. If installed, remove the expansion card from the tertiary riser:
  - a. Loosen the stabilizer bracket captive screw, and then pull the stabilizer bracket from the expansion card.



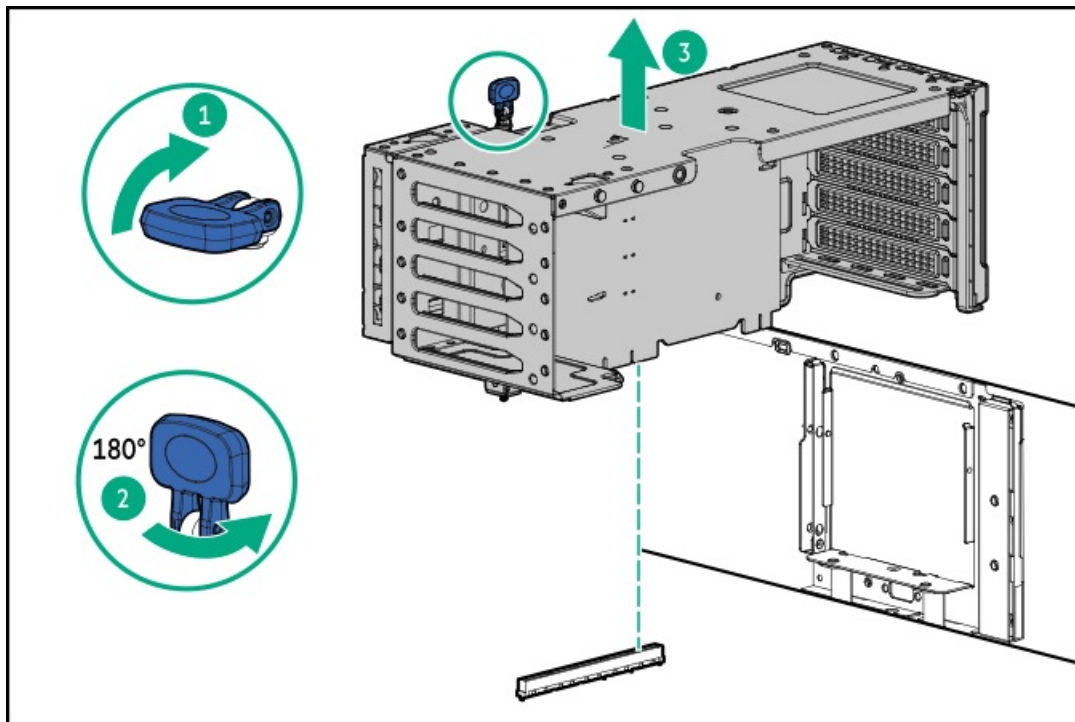
- b. Remove the expansion card from the tertiary riser.



9. If installed, remove the tertiary riser.



10. Remove the secondary riser cage:
  - a. Release the half-turn spring latch.
  - b. Lift the riser cage off the system board.



## Power up the server

### Procedure

- Press the Power On/Standby button.

- Use the virtual power button through iLO 6.

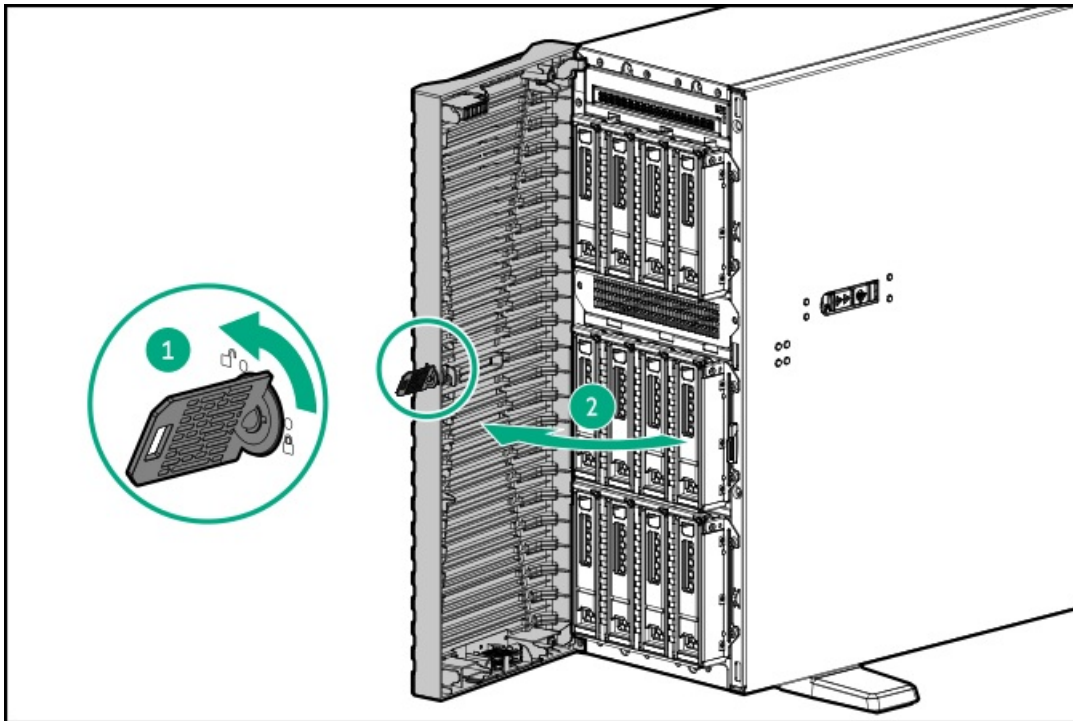
## Removing and replacing the front bezel

### About this task

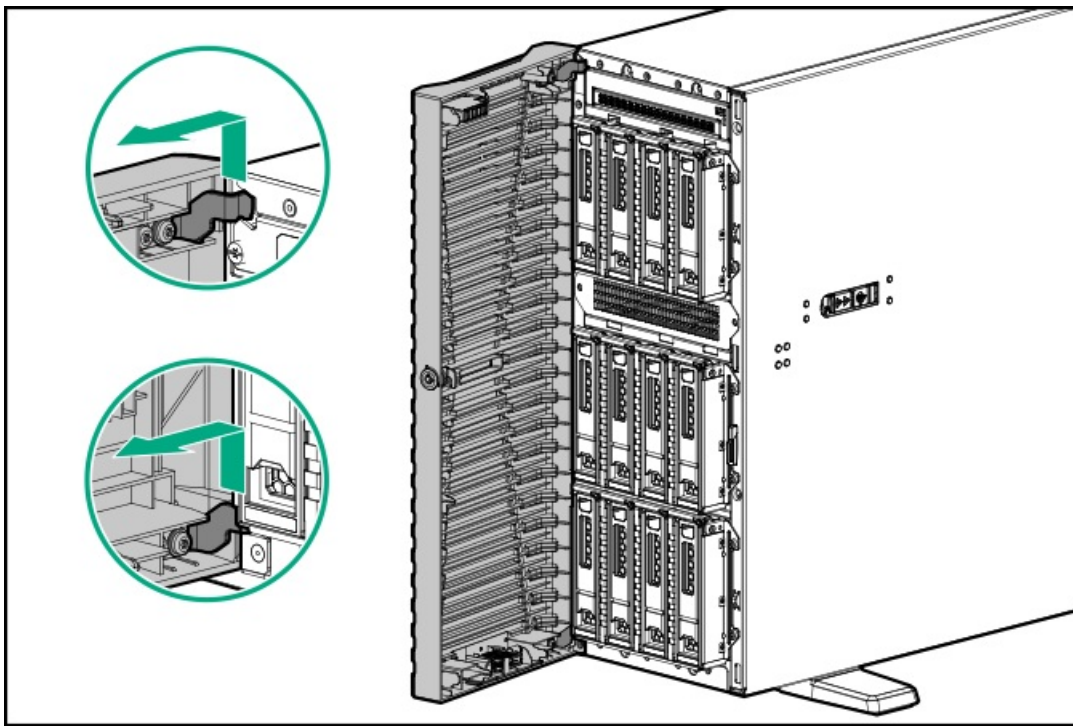
[https://support.hpe.com/hpesc/public/videoDisplay?videoid=vpsg00005497en\\_us&noframe](https://support.hpe.com/hpesc/public/videoDisplay?videoid=vpsg00005497en_us&noframe)

### Procedure

1. Unlock the front bezel.
2. Open the front bezel.



3. Release the bezel hooks from the front panel.



## Results

The removal procedure is complete. To replace the component, reverse this procedure.

## Removing and replacing a hot-plug LFF/SFF/E3.S drive

### About this task

[https://support.hpe.com/hpesc/public/videoDisplay?videoid=vpsg00005507en\\_us&noframe](https://support.hpe.com/hpesc/public/videoDisplay?videoid=vpsg00005507en_us&noframe)



#### CAUTION

To prevent improper cooling and thermal damage, do not operate the server unless all bays are populated with either a component or a blank.

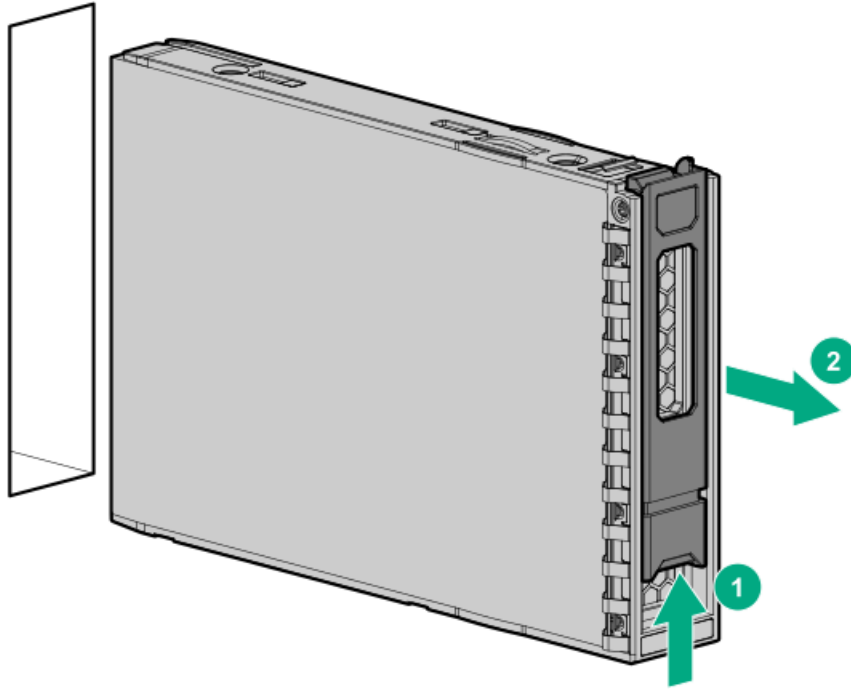


#### CAUTION

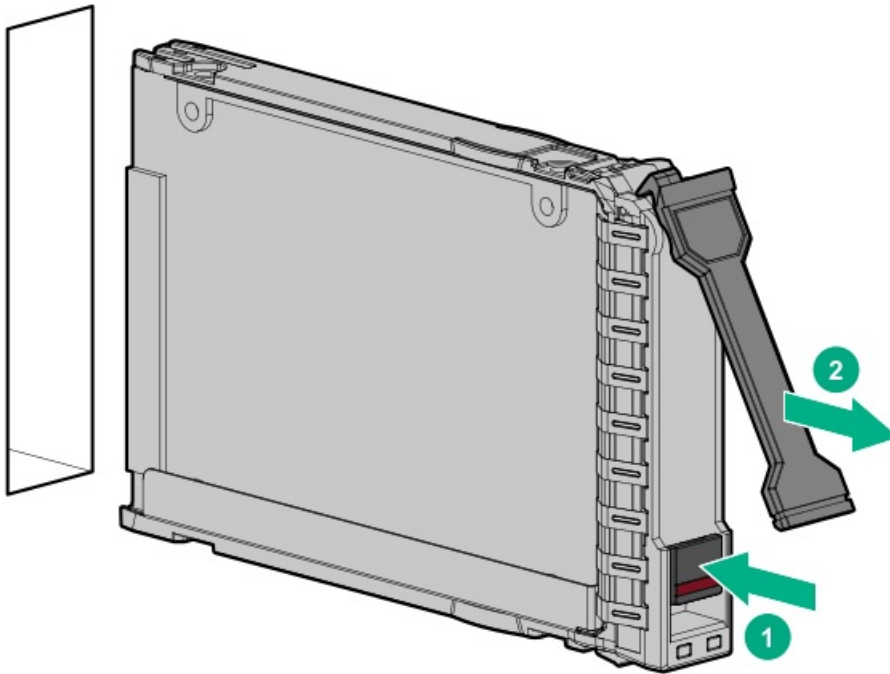
A discharge of static electricity from a finger or other conductor might damage system boards or other static-sensitive devices. To prevent damage, observe [antistatic precautions](#).

### Procedure

1. [Back up all server data.](#)
2. [Remove the front bezel.](#)
3. Observe the drive LED status and determine if the drive can be removed.
  - [LFF/SFF drive](#)
  - [E3.S drive](#)
4. Remove the drive.
  - LFF drive

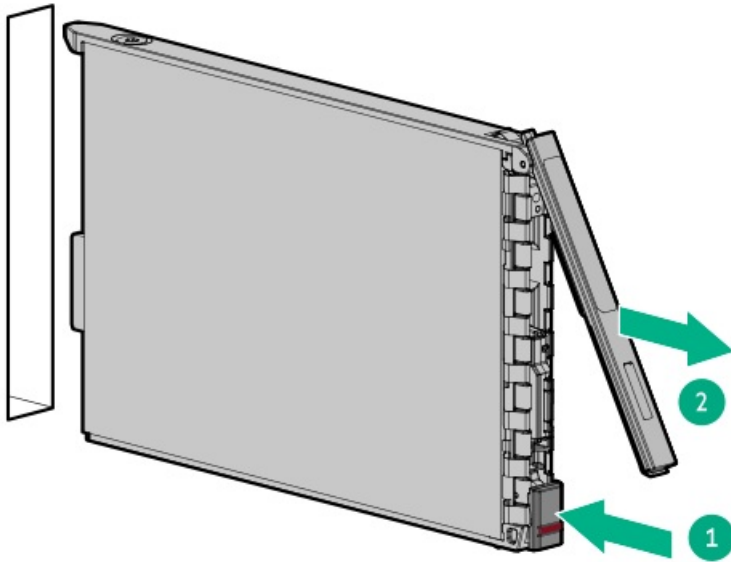


- SFF drive



- E3.S drive





## Results

The removal procedure is complete. To replace the component, reverse this procedure.

## Removing and replacing the drive box blank

### Prerequisites

Before you perform this procedure, make sure that you have a T-15 Torx screwdriver available.

### About this task

[https://support.hpe.com/hpesc/public/videoDisplay?videoid=vpsg00005493en\\_us&noframe](https://support.hpe.com/hpesc/public/videoDisplay?videoid=vpsg00005493en_us&noframe)



#### CAUTION

To prevent improper cooling and thermal damage, do not operate the server unless all bays are populated with either a component or a blank.

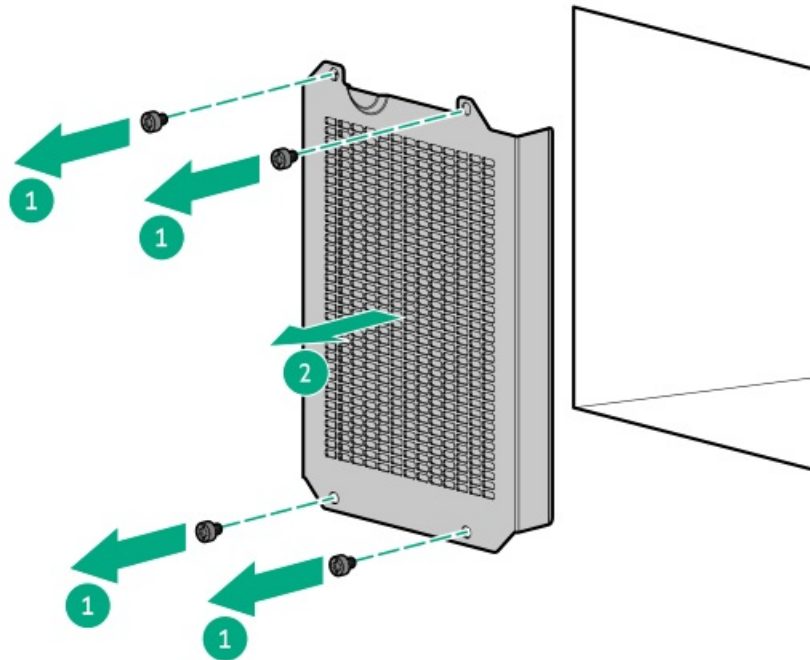
### Procedure

1. Remove the front bezel.
2. Power down the server.
3. Remove all power:
  - a. Disconnect each power cord from the power source.
  - b. Disconnect each power cord from the server.
4. Disconnect all peripheral cables from the server.
5. If the server is in tower mode, place the server on a flat, level surface with the access panel facing up.
6. If the server is in rack mode, do one of the following:
  - Extend the server from the rack.

- Remove the server from the rack.

7. Remove the drive box blank:

- a. Remove the screws.
- b. Remove the blank.



## Results

The removal procedure is complete. To replace the component, reverse this procedure.

## Removing and replacing a drive blank

### About this task

[https://support.hpe.com/hpesc/public/videoDisplay?videoid=vpsg00005492en\\_us&noframe](https://support.hpe.com/hpesc/public/videoDisplay?videoid=vpsg00005492en_us&noframe)



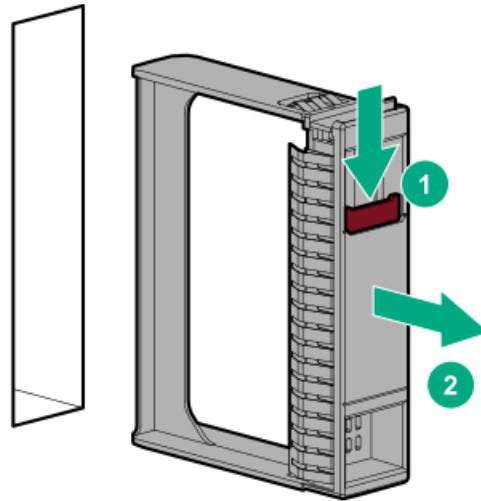
#### CAUTION

To prevent improper cooling and thermal damage, do not operate the server unless all bays are populated with either a component or a blank.

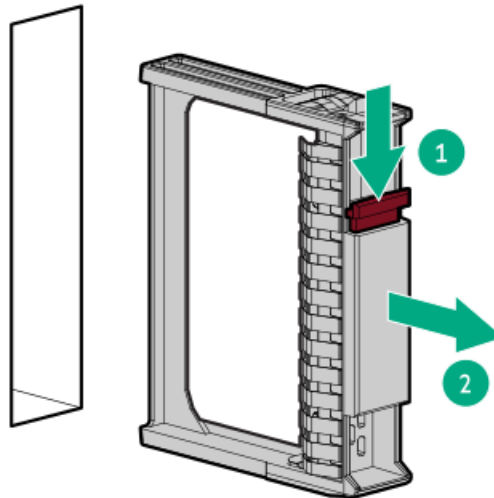
### Procedure

1. Open the front bezel.
2. Remove the drive blank.
  - LFF drive blank





- SFF drive blank



## Results

The removal procedure is complete. To replace the component, reverse this procedure.

## Removing and replacing the media bay filler panel

### Prerequisites

Before you perform this procedure, make sure that you have a T-15 Torx screwdriver available.

### About this task



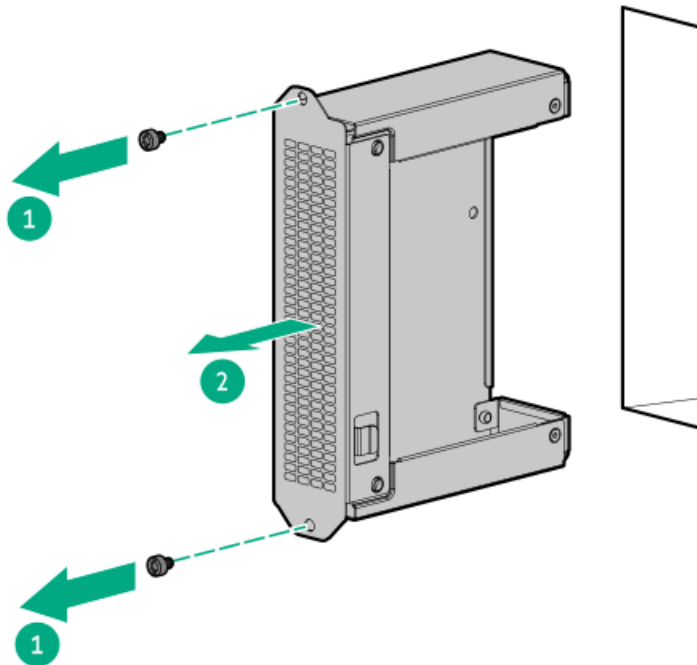
#### CAUTION

To prevent improper cooling and thermal damage, do not operate the server unless all bays are populated with either a component or a blank.

### Procedure

1. Remove the front bezel.

2. Power down the server.
3. Remove all power:
  - a. Disconnect each power cord from the power source.
  - b. Disconnect each power cord from the server.
4. Disconnect all peripheral cables from the server.
5. If the server is in tower mode, place the server on a flat, level surface with the access panel facing up .
6. If the server is in rack mode, do one of the following:
  - Extend the server from the rack.
  - Remove the server from the rack.
7. Remove the media bay filler panel:
  - a. Remove the media bay filler panel screws.
  - b. Remove the media bay filler panel.



## Results

The removal procedure is complete. To replace the component, reverse this procedure.

## Removing and replacing the cable management arm

### About this task

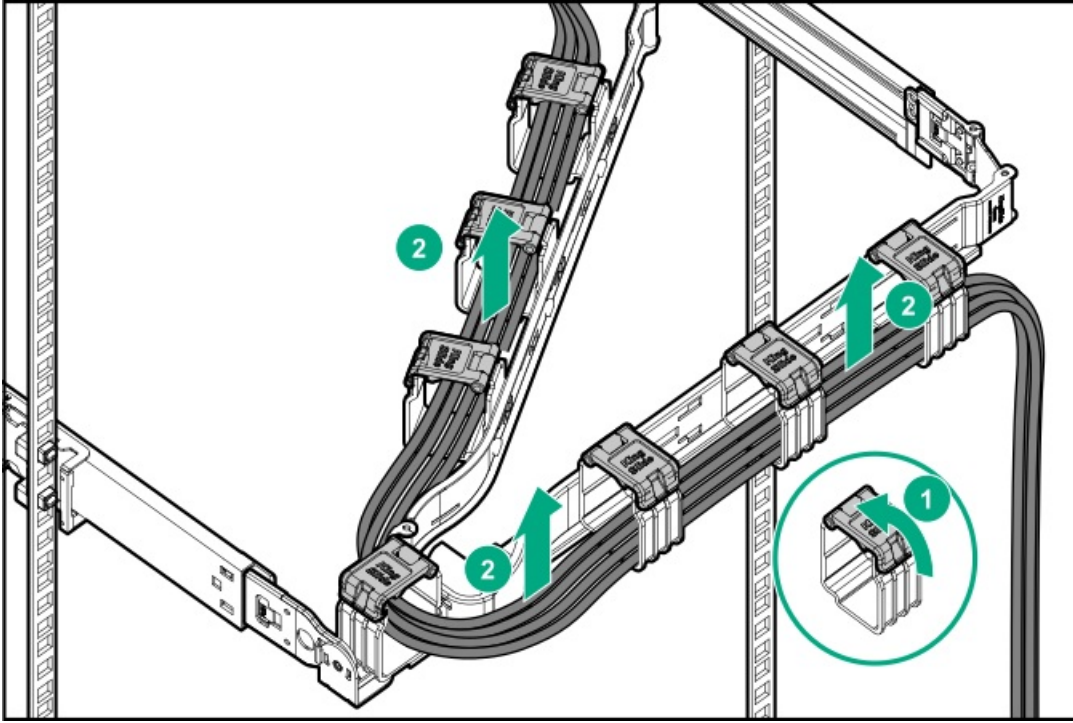


#### CAUTION

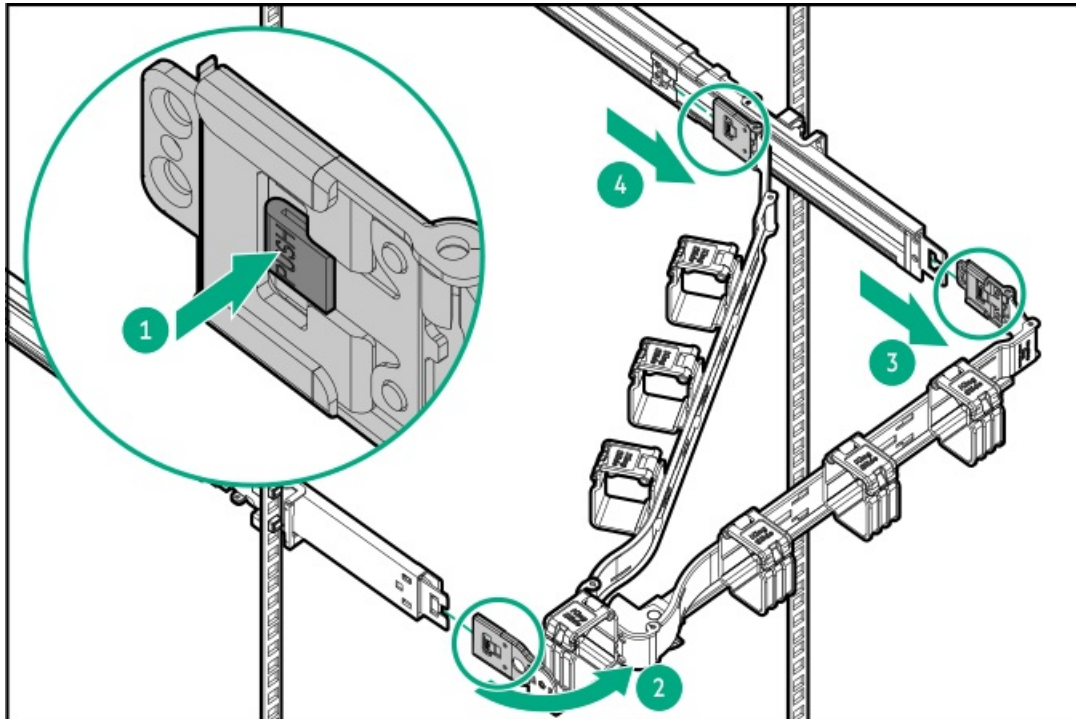
Support the CMA during the removal and replacement procedures. Do not allow the CMA to hang by its own weight during the procedure.

## Procedure

1. Remove the peripheral cables and power cords from the CMA:
  - a. Open the cable clamps.
  - b. Remove the peripheral cables and power cords.



2. Remove the cable management arm:
  - a. Press and hold the blue **PUSH** button on the retention bracket.
  - b. Swing the arm away from the mounting rail.
  - c. Press and hold the blue **PUSH** buttons on the outer and inner tabs and detach from the rack rails.



## Results

The removal procedure is complete. To replace the component, reverse this procedure.

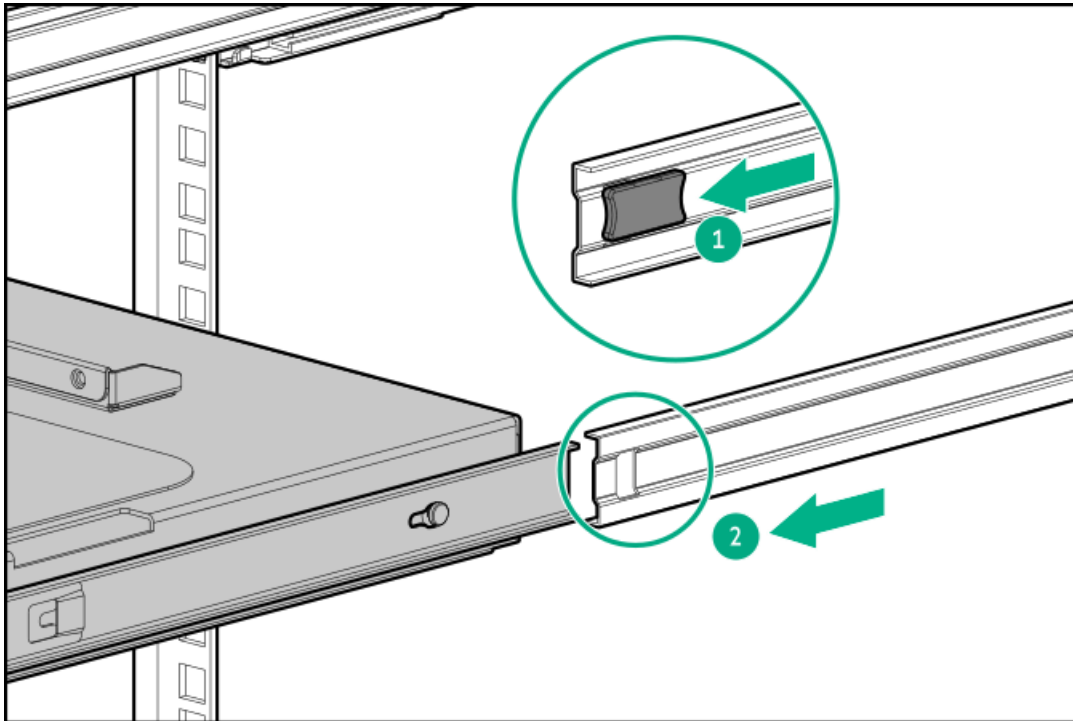
## Removing and replacing the rack rails

### Prerequisites

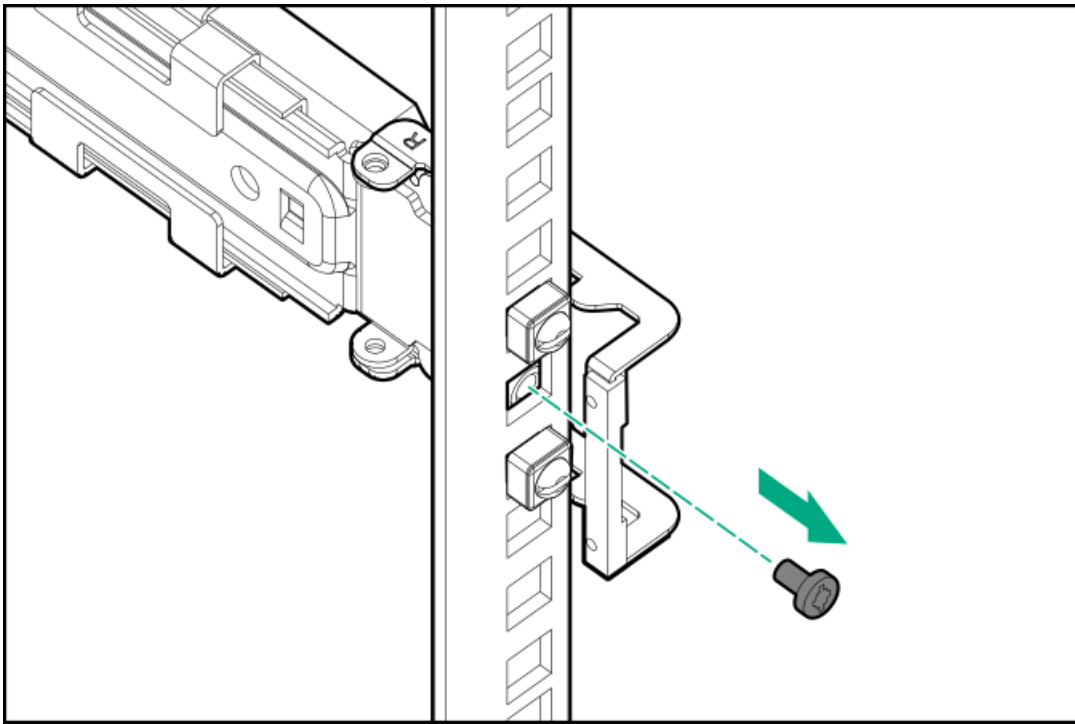
If you are replacing the rack mounting rails from a threaded-hole rack, make sure that you have a Phillips No. 2 screwdriver available.

### Procedure

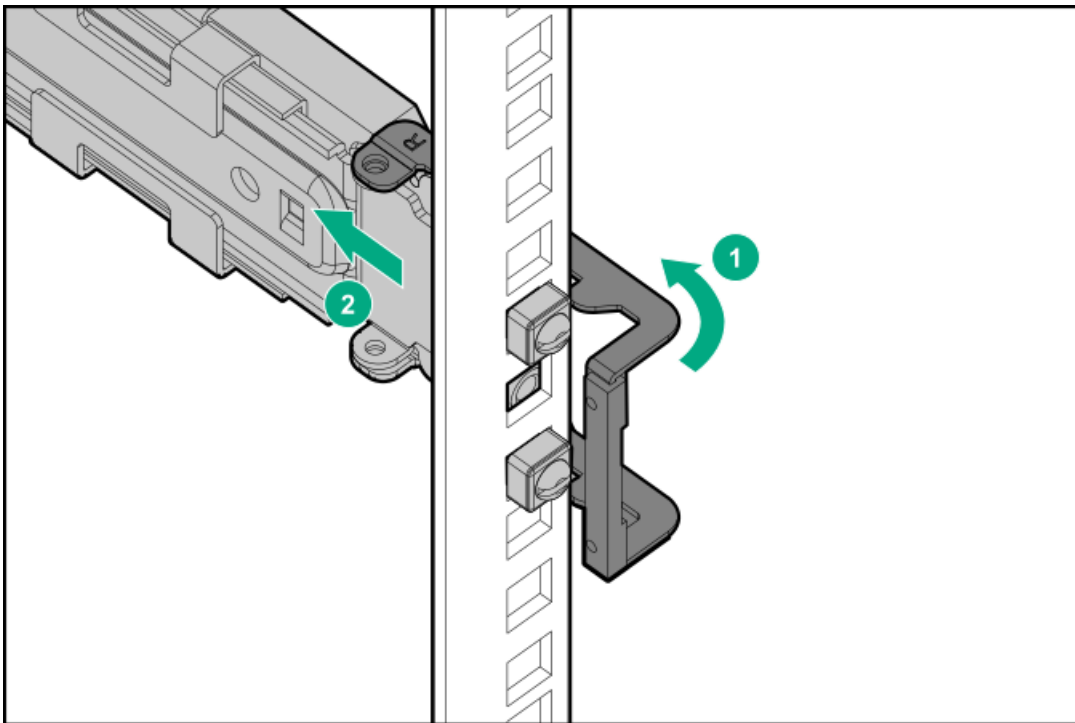
1. Power down the server.
2. Remove the cable management arm.
3. Remove all power:
  - a. Disconnect each power cord from the power source.
  - b. Disconnect each power cord from the server.
4. Disconnect all peripheral cables from the server.
5. Remove the server from the rack.
6. Place the server on a flat, level surface.
7. Slide and hold the white release tab in the direction shown, and slide out the server tray from the rack.



8. If you are replacing a rack mounting rail, do the following:
  - a. If installed, remove the shipping screw from the rear rack column.

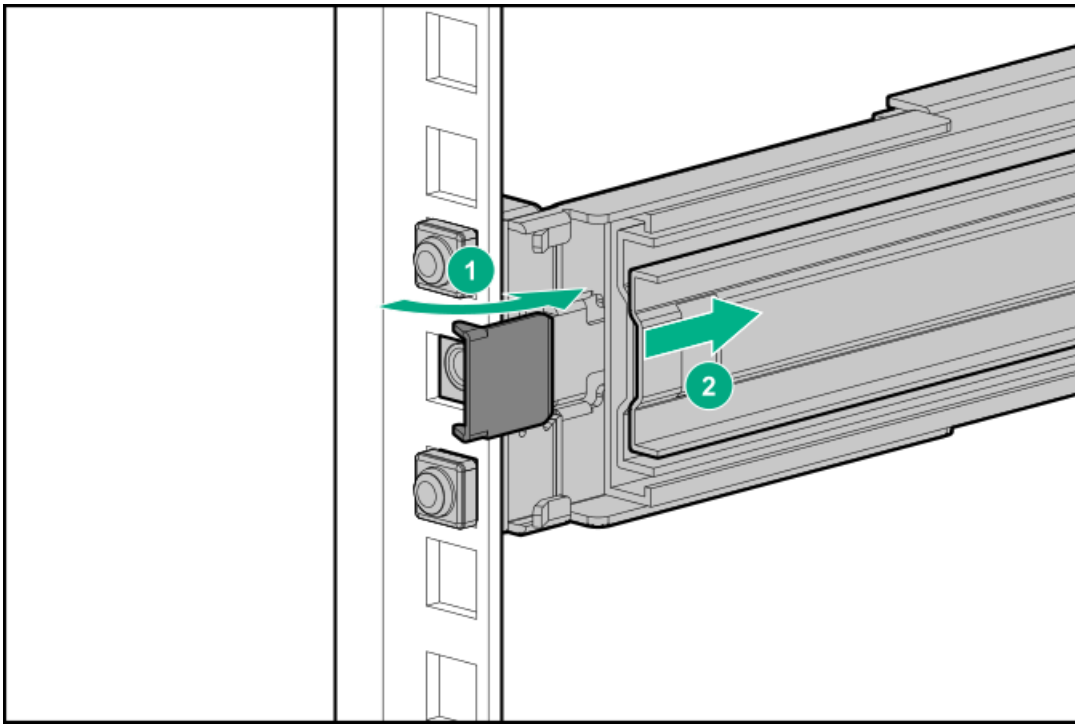


- b. Retract and hold the rear retention bracket.
- c. Slide out the rear end of the rail to disengage it from the rear rack column.



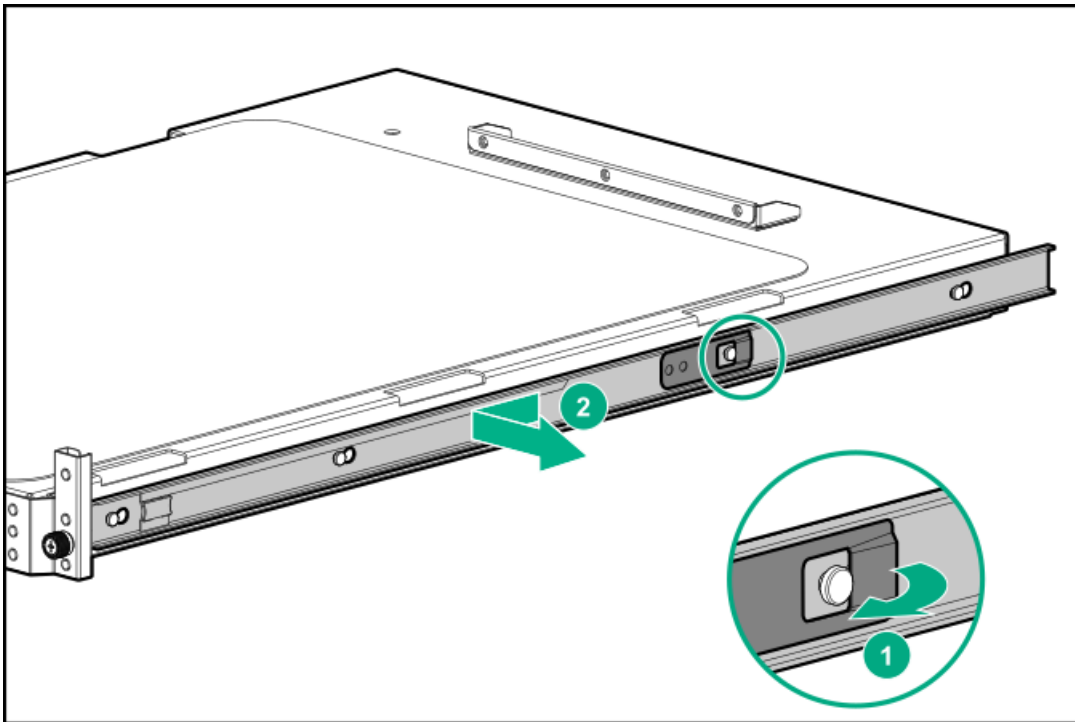
- d. Retract and hold the front retention bracket.
- e. Slide out the front end of the rail to disengage it from the front rack column.





9. If you are replacing a rack sliding rail, do the following:

- a. Slightly pull the rail latch to unlock the rail.
- b. Slide the rail towards the front to disengage it from the alignment pins on the server tray, and then remove the rail from the server tray.



## Results

The removal procedure is complete. To replace the component, reverse this procedure.

## Flexible Slot power supply replacement

Depending on the configuration and the regional location where the server was purchased, the server can be configured with one of the supported [power supplies](#).

### Subtopics

[Power supply warnings and cautions](#)

[DC power supply warnings and cautions](#)

[Removing and replacing a Flexible Slot power supply](#)

## Power supply warnings and cautions



### WARNING

To reduce the risk of electric shock or damage to the equipment:

- Do not disable the power cord grounding plug. The grounding plug is an important safety feature.
- Plug the power cord into a grounded (earthed) electrical outlet that is easily accessible at all times.
- Unplug the power cord from the power supply to disconnect power to the equipment.
- Do not route the power cord where it can be walked on or pinched by items placed against it. Pay particular attention to the plug, electrical outlet, and the point where the cord extends from the server.



### WARNING

To reduce the risk of injury from electric shock hazards, do not open power supplies. Refer all maintenance, upgrades, and servicing to qualified personnel.



### CAUTION

Mixing different types of power supplies in the same server might:

- Limit or disable some power supply features including support for power redundancy.
- Cause the system to become unstable and might shut down.

To ensure access to all available features, all power supplies in the same server should have the same output and efficiency ratings. Verify that all power supplies have the same part number and label color.

## DC power supply warnings and cautions



### WARNING

To reduce the risk of electric shock, be sure that the cable grounding kit is properly installed and connected to a suitable protective earth terminal before connecting the power source to the rack.



### CAUTION

This equipment is designed to permit the connection of the earthed conductor of the DC supply circuit to the earthing conductor at the equipment. If this connection is made, all the following must be met:

- This equipment must be connected directly to the DC supply system earthing electrode conductor or to a bonding jumper from an earthing terminal bar or bus to which the DC supply system earthing electrode conductor is connected.
- This equipment must be located in the same immediate area (such as adjacent cabinets) as any other equipment that has a connection between the earthed conductor of the same DC supply circuit and the earthing conductor, and also the point of earthing of the DC system. The DC system must be earthed elsewhere.
- The DC supply source is to be located within the same premises as the equipment.
- Switching or disconnecting devices must not be in the earthed circuit conductor between the DC source and the point of connection of the earthing electrode conductor.

## Removing and replacing a Flexible Slot power supply

### Prerequisites

- Before replacing a power supply, review the following:
  - [Power supply warnings and cautions](#)
  - [DC power supply warnings and cautions](#)
- If you are replacing a DC power supply:
  - Make sure that you have a Phillips No.2 screwdriver available.
  - Identify the wire color and corresponding wire slots on the DC power supply:

Wire color	Description	Wire slot
Red	Positive return wire	RTN
Black	Negative input wire	-48V
Green + yellow	Ground wire	Ground

### About this task

[https://support.hpe.com/hpesc/public/videoDisplay?videoid=vpsg00005487en\\_us&noframe](https://support.hpe.com/hpesc/public/videoDisplay?videoid=vpsg00005487en_us&noframe)



### WARNING

To reduce the risk of personal injury from hot surfaces, allow the power supply, power supply blank, or dual slot power supply adapter to cool before touching it.



### CAUTION

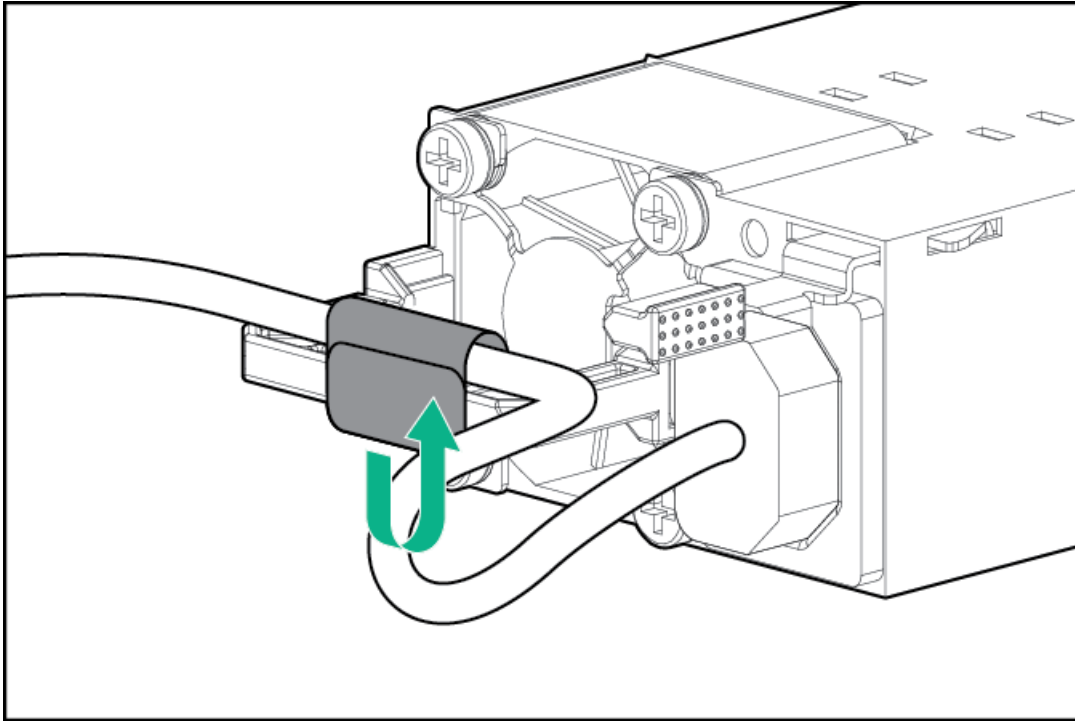
To prevent improper cooling and thermal damage, do not operate the server unless all bays are populated with either a component or a blank.

### Procedure

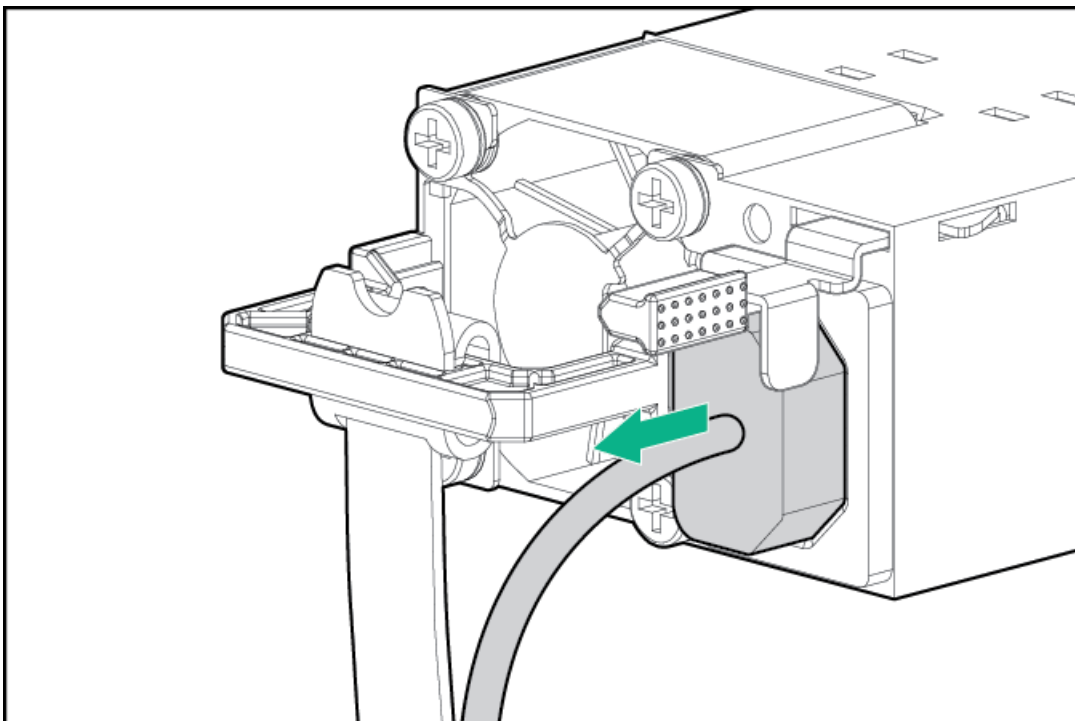




1. Power down the server.
2. To remove an AC power supply, do the following:
  - a. Release the power cords, wires, and cables from the strain relief strap.

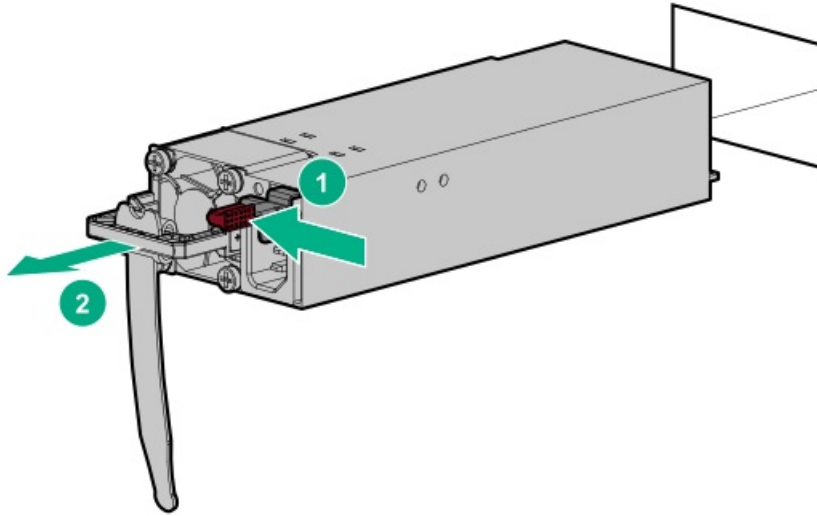


- b. Disconnect the power cord from the power supply.



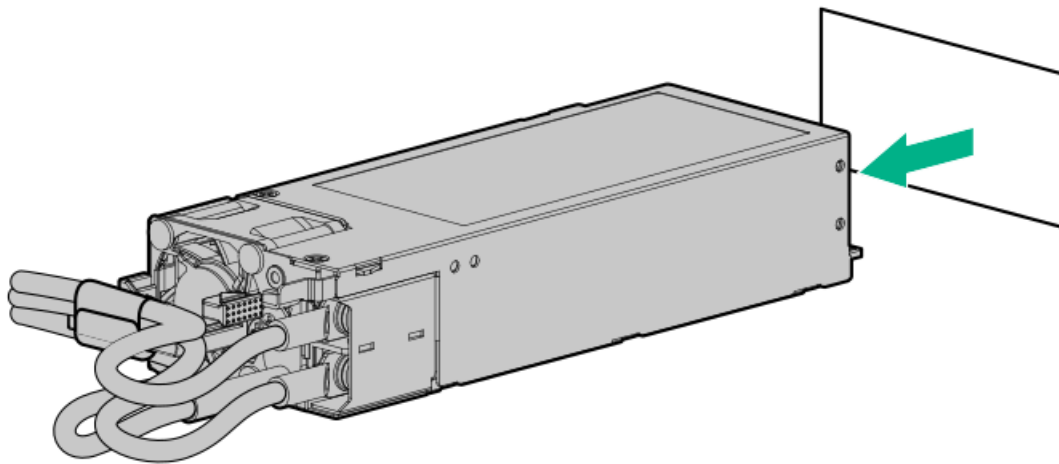
- c. Remove the power supply.





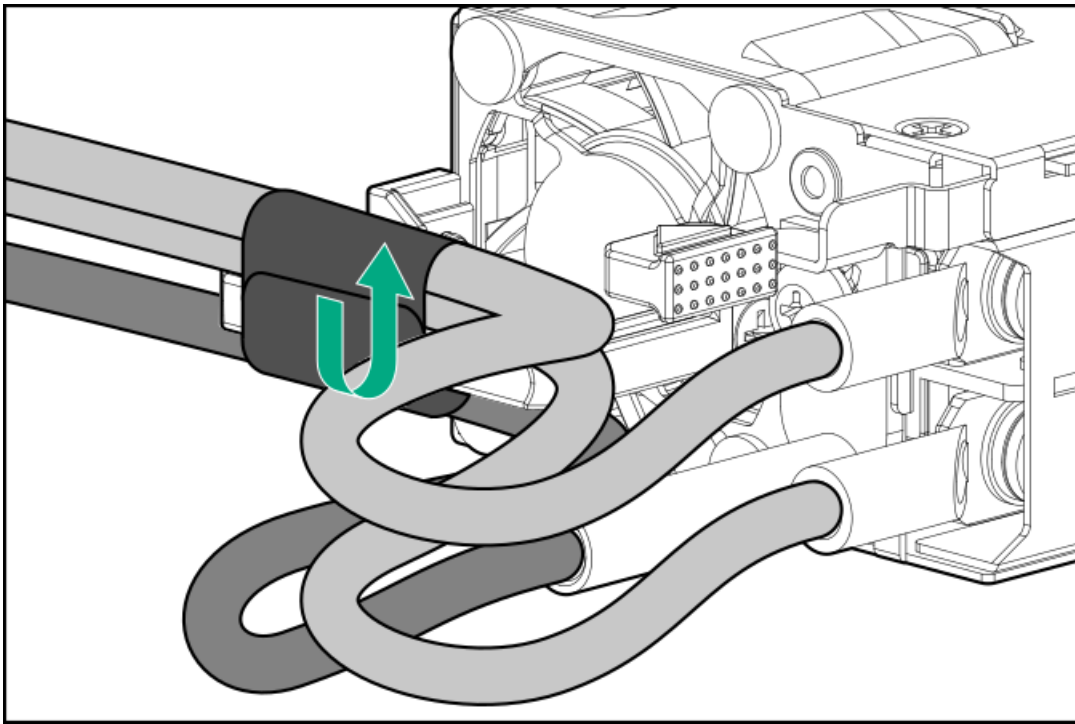
3. To remove the DC power supply, do the following:

- a. Remove the power supply.

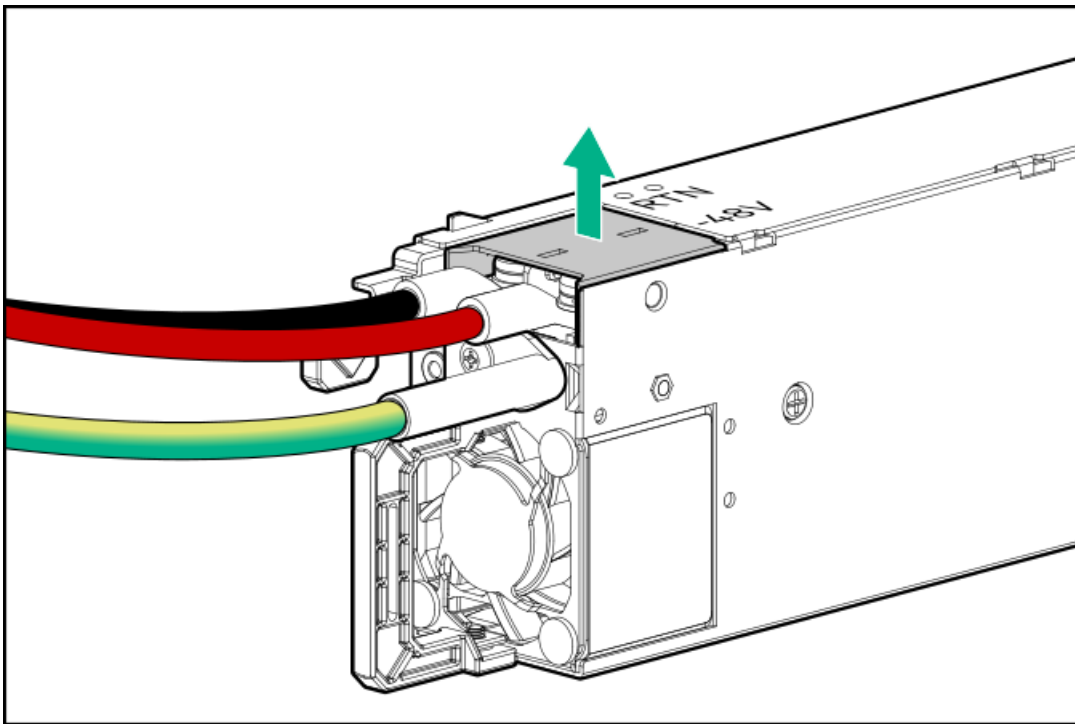


- b. Release the ground, positive return, and negative input wires from the strain relief strap.

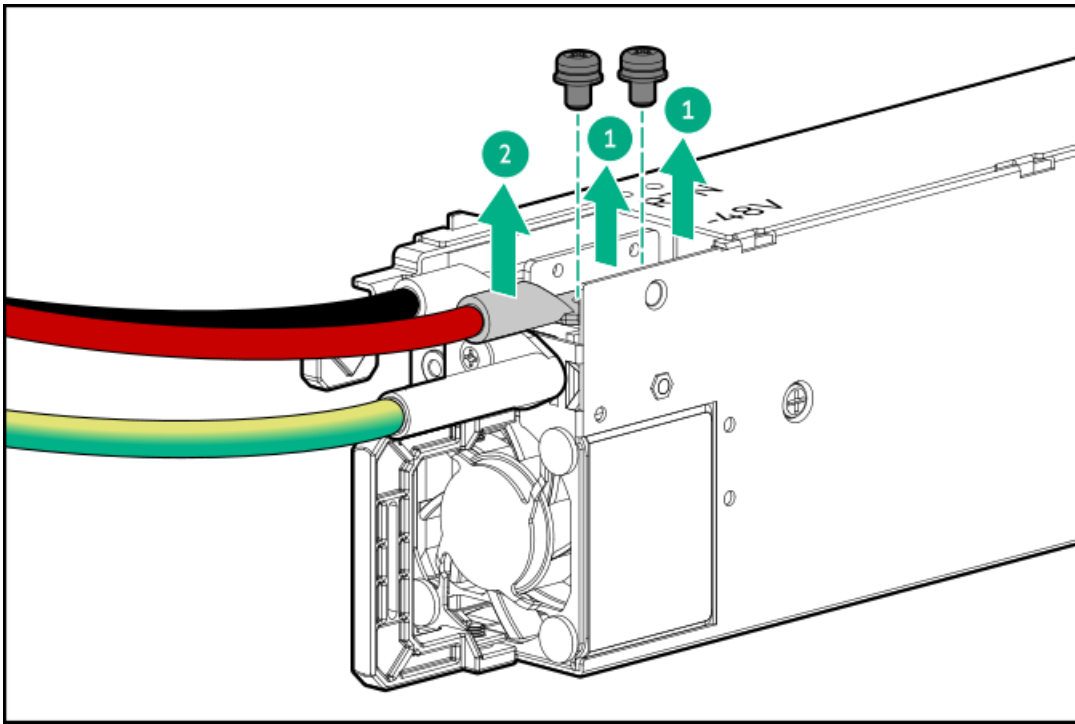




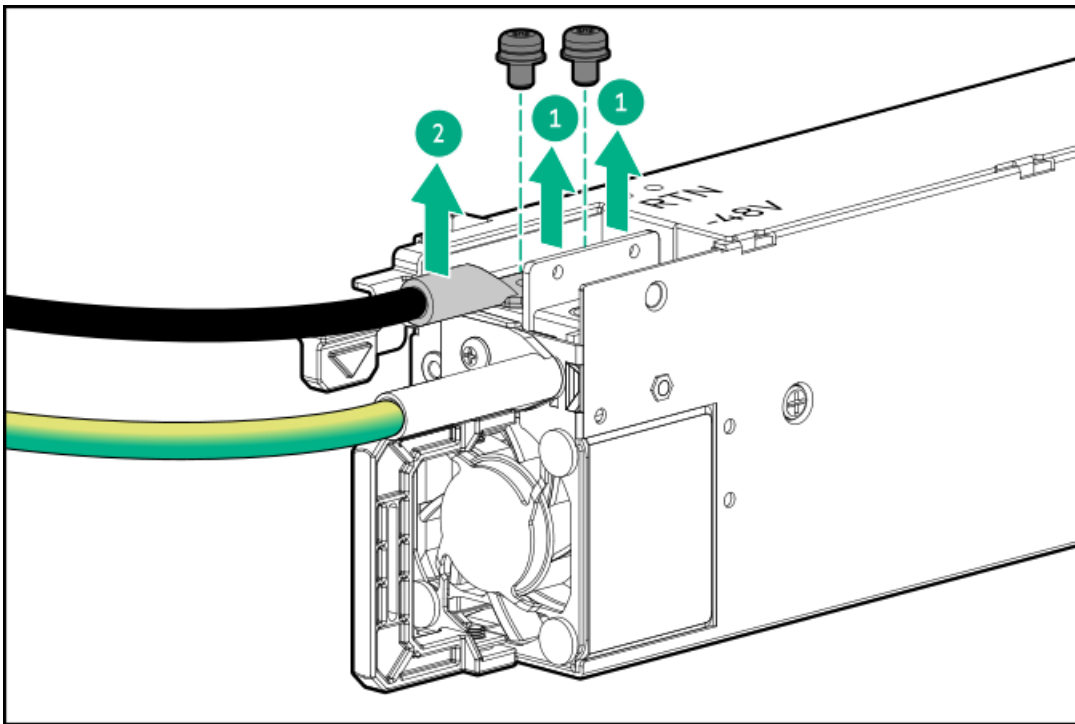
c. Remove the protective cover from the power supply.



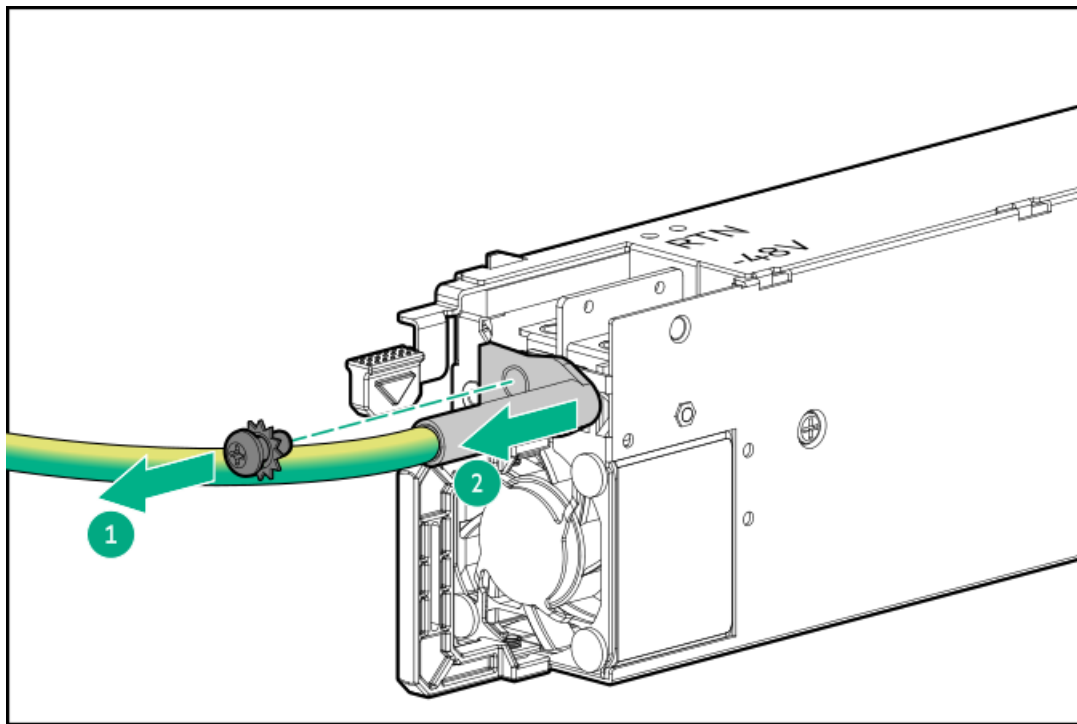
d. Remove the line wire (red) from the -48V slot on the DC power supply.



e. Remove the return wire (black) from the RTN slot on the DC power supply.



f. Remove the ground wire (green and yellow) from the DC power supply.



## Results

The removal procedure is complete. To replace the component, reverse this procedure.

## Removing and replacing a power supply blank

### About this task

[https://support.hpe.com/hpesc/public/videoDisplay?videoid=vpsg00005501en\\_us&noframe](https://support.hpe.com/hpesc/public/videoDisplay?videoid=vpsg00005501en_us&noframe)



#### WARNING

To reduce the risk of personal injury from hot surfaces, allow the power supply, power supply blank, or dual slot power supply adapter to cool before touching it.

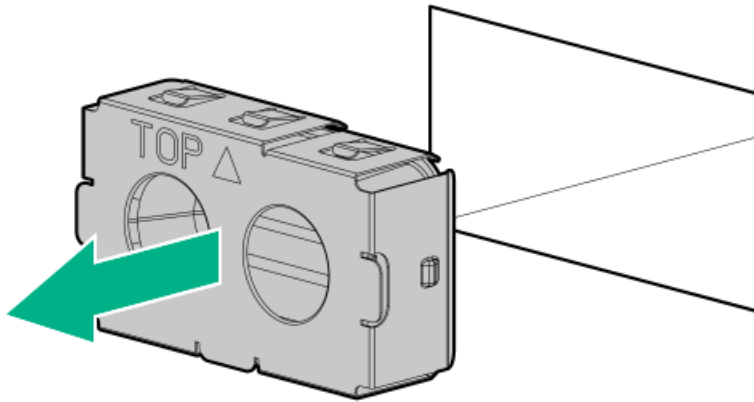


#### CAUTION

To prevent improper cooling and thermal damage, do not operate the server unless all bays are populated with either a component or a blank.

## Procedure

Remove the power supply blank from the bay.



## Results

The removal procedure is complete. To replace the component, reverse this procedure.

## Transceiver replacement

### Subtopics

[Transceiver warnings and cautions](#)

[Removing and replacing a transceiver](#)

## Transceiver warnings and cautions



### WARNING

Fiber-optic transceivers and fiber-optic cables connected to transceivers emit laser light that can damage your eyes. To avoid eye injuries, avoid direct eye exposure to the beam from the fiber-optic transceiver or into the ends of fiber-optic cables when they are powered-up.



### CAUTION

The presence of dust in transceiver ports can cause poor cable connectivity. To prevent dust from entering, install a dust plug in an unused transceiver port.



### CAUTION

Supported transceivers can be hot-swapped—removed and installed while the server is powered-on. However, to prevent potential damage to the transceiver or the fiber-optic cable, disconnect the cable from the transceiver before hot-swapping it.



### CAUTION

Do not remove and install transceivers more often than is necessary. Doing so can shorten the useful life of the transceiver.



### IMPORTANT

When you replace a transceiver with another of a different type, the server might retain selected port-specific configuration settings that were configured for the replaced transceiver. Be sure to validate or reconfigure port settings as required.

## Removing and replacing a transceiver

### Prerequisites

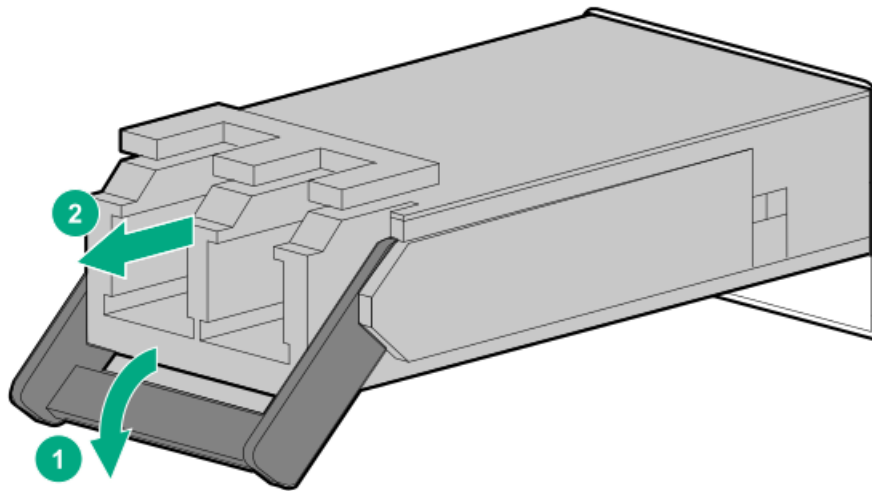
Before replacing a transceiver, review the following:

- [Transceiver warnings and cautions](#)
- Transceiver documentation for specific operational and cabling requirements

### Procedure

1. Disconnect the network cable from the transceiver.
2. Slide the transceiver out of the network adapter port.

See the transceiver documentation for model-specific release mechanism for removing the transceiver.



### Results

The removal procedure is complete. To replace the component, reverse this procedure.

## Media device replacement

### Subtopics

[Removing and replacing a SAS LTO tape drive](#)

[Removing and replacing the USB RDX docking station](#)

[Removing and replacing the optical drive](#)

# Removing and replacing a SAS LTO tape drive

## Prerequisites

Before you perform this procedure, make sure that you have a T-15 Torx screwdriver available.

## About this task



### CAUTION

A discharge of static electricity from a finger or other conductor might damage system boards or other static-sensitive devices. To prevent damage, observe [antistatic precautions](#).



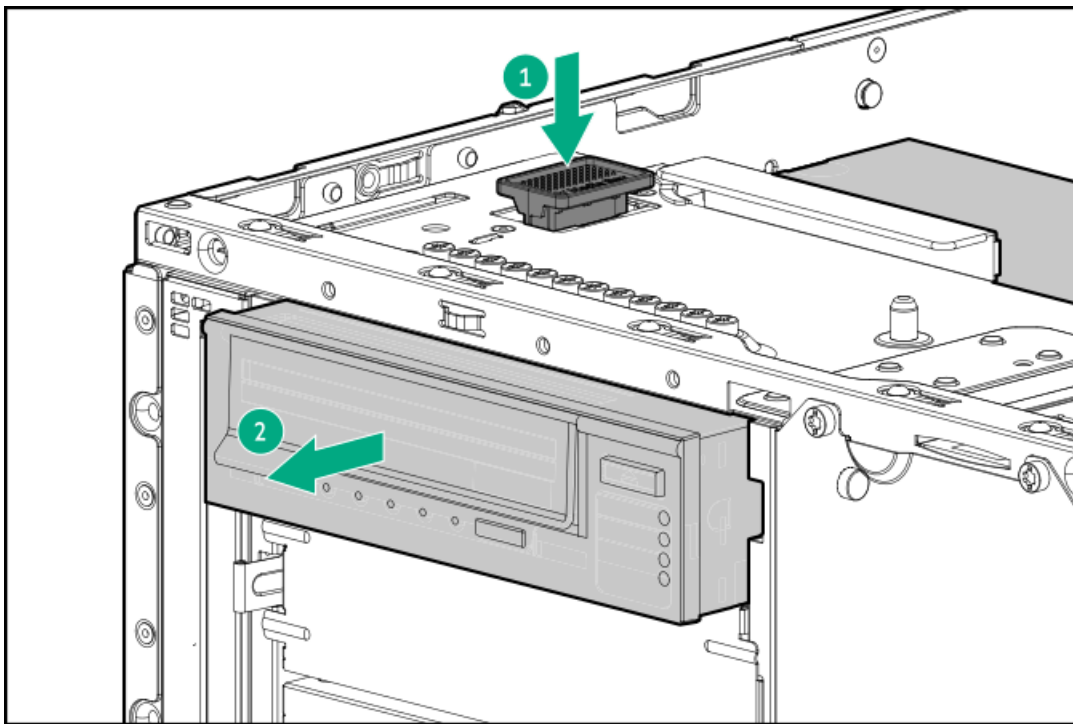
### CAUTION

To prevent improper cooling and thermal damage, do not operate the server unless all bays are populated with either a component or a blank.

## Procedure

1. [Remove the front bezel](#).
2. [Power down the server](#).
3. Remove all power:
  - a. Disconnect each power cord from the power source.
  - b. Disconnect each power cord from the server.
4. Disconnect all peripheral cables from the server.
5. Do one of the following:
  - If the server is in tower mode, [place the server on a flat, level surface with the access panel facing up](#).
  - If the server is in rack mode, [remove the server from the rack](#).
6. [Remove the access panel](#).
7. [Remove the fan cage](#).
8. Disconnect the drive power and SAS cables from the LTO tape drive.
9. Press and hold the release latch, and then slide the LTO tape drive out of the server.





## Results

The removal procedure is complete. To replace the component, reverse this procedure.

Before installing the replacement LTO tape drive in the media bay, install the mounting screws included in the spare kit on the tape drive.

## Removing and replacing the USB RDX docking station

### Prerequisites

Before you perform this procedure, make sure that you have a T-15 Torx screwdriver available.

### About this task



#### CAUTION

A discharge of static electricity from a finger or other conductor might damage system boards or other static-sensitive devices. To prevent damage, observe [antistatic precautions](#).



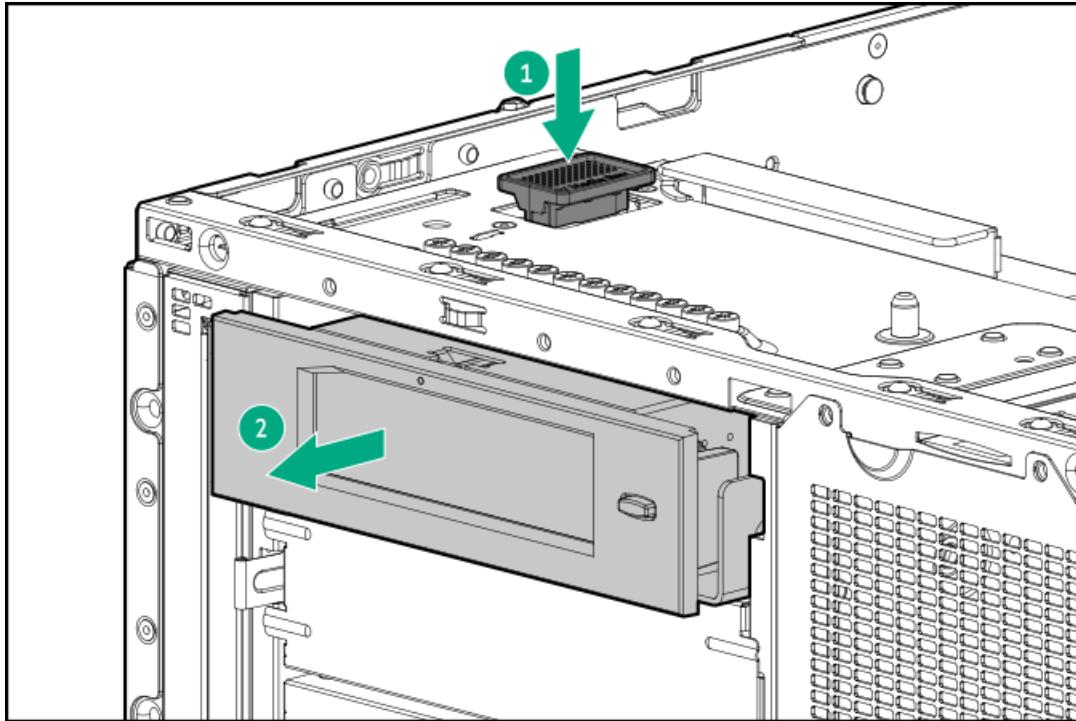
#### CAUTION

To prevent improper cooling and thermal damage, do not operate the server unless all bays are populated with either a component or a blank.

### Procedure

1. [Remove the front bezel](#).
2. [Power down the server](#).
3. Remove all power:
  - a. Disconnect each power cord from the power source.
  - b. Disconnect each power cord from the server.
4. Disconnect all peripheral cables from the server.

5. Do one of the following:
  - If the server is in tower mode, place the server on a flat, level surface with the access panel facing up.
  - If the server is in rack mode, remove the server from the rack.
6. Remove the access panel.
7. Remove the fan cage.
8. Disconnect the power and USB cables from the RDX docking station.
9. Remove the RDX docking station:
  - a. Press and hold the release latch.
  - b. Slide the RDX docking station out of the server.



## Results

The removal procedure is complete.

Before installing the replacement RDX docking station in the media bay, install the mounting screws included in the spare kit on the RDX drive.

## Removing and replacing the optical drive

### Prerequisites

Before you perform this procedure, make sure that you have the following items available:

- T-10 Torx screwdriver
- Phillips No. 1 screwdriver

### About this task

**CAUTION**

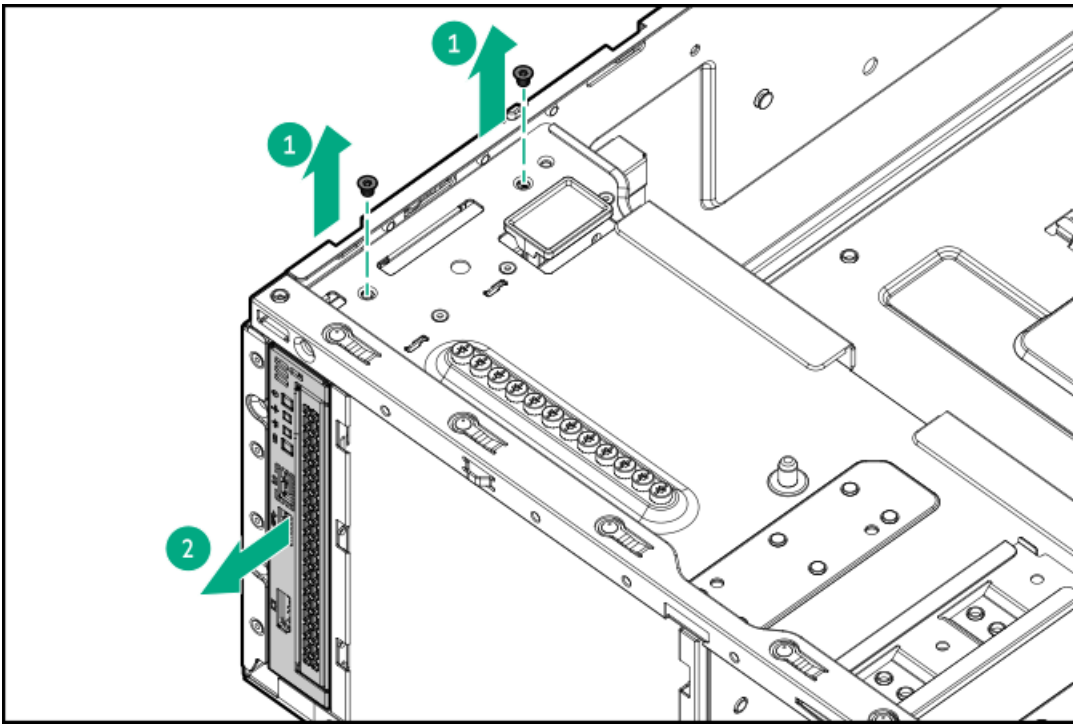
A discharge of static electricity from a finger or other conductor might damage system boards or other static-sensitive devices. To prevent damage, observe antistatic precautions.

**CAUTION**

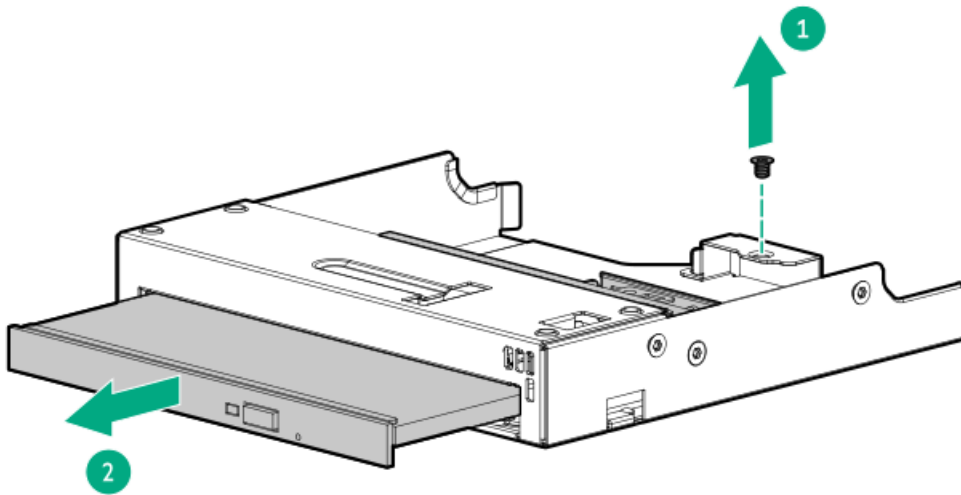
To prevent improper cooling and thermal damage, do not operate the server unless all bays are populated with either a component or a blank.

## Procedure

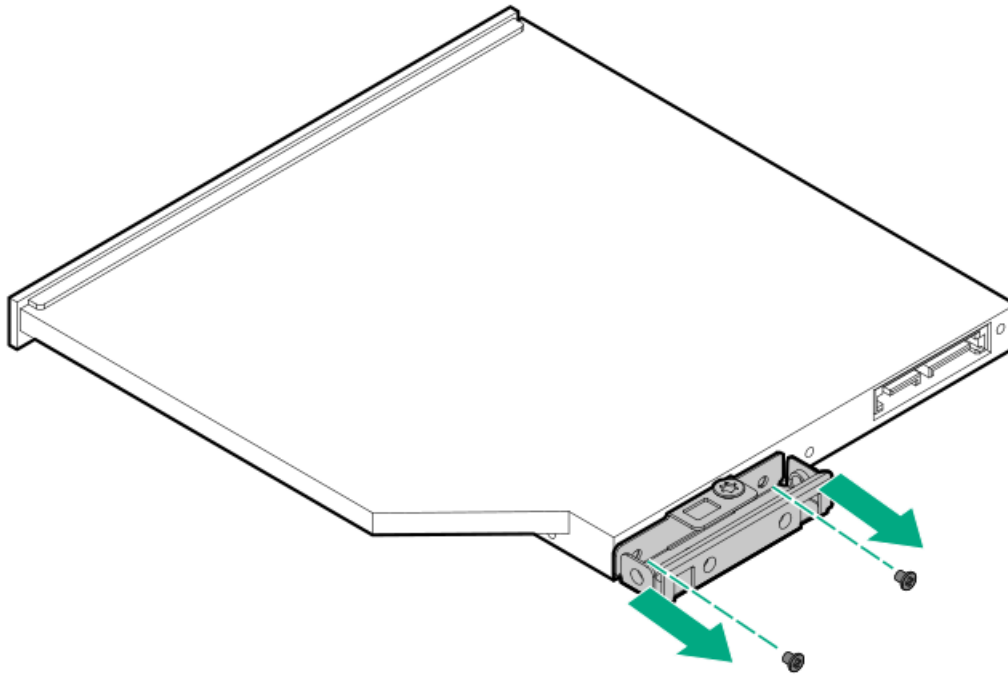
1. Remove the front bezel.
2. Power down the server.
3. Remove all power:
  - a. Disconnect each power cord from the power source.
  - b. Disconnect each power cord from the server.
4. Disconnect all peripheral cables from the server.
5. Do one of the following:
  - If the server is in tower mode, place the server on a flat, level surface with the access panel facing up.
  - If the server is in rack mode, remove the server from the rack.
6. Remove the access panel.
7. Remove the fan cage.
8. Disconnect the SATA-power Y-cable from the optical drive.
9. Disconnect the front I/O cables from the system board.
10. Remove the front I/O cage:
  - a. Remove the front I/O cage screws.
  - b. Slide the front I/O cage out of the server.



11. Remove the optical drive from the front I/O cage:
  - a. Remove the drive bracket screw.
  - b. Slide the optical drive out of the front I/O cage.



12. Remove the optical drive bracket.



## Results

The removal procedure is complete. To replace the component, reverse this procedure.

## Removing and replacing the front I/O module

### Prerequisites

Before you perform this procedure, make sure that you have a T-10 Torx screwdriver available.

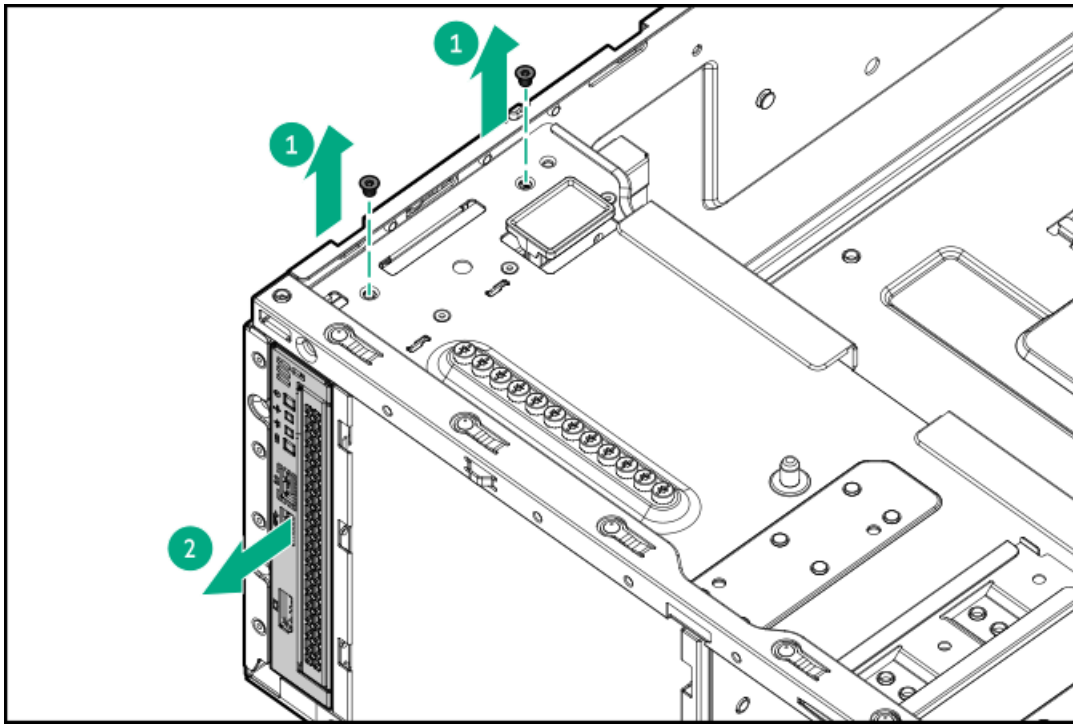
### About this task

[https://support.hpe.com/hpesc/public/videoDisplay?videoid=vpsg00005498en\\_us&noframe](https://support.hpe.com/hpesc/public/videoDisplay?videoid=vpsg00005498en_us&noframe)

### Procedure

1. Remove the front bezel.
2. Power down the server.
3. Remove all power:
  - a. Disconnect each power cord from the power source.
  - b. Disconnect each power cord from the server.
4. Disconnect all peripheral cables from the server.
5. Do one of the following:
  - If the server is in tower mode, place the server on a flat, level surface with the access panel facing up.
  - If the server is in rack mode, remove the server from the rack.
6. Remove the access panel.
7. Remove the fan cage.

8. Disconnect the front I/O cables from the system board.
9. If installed, disconnect the SATA-power Y-cable from the optical drive.
10. Remove the front I/O module:
  - a. Remove the front I/O cage screws.
  - b. Remove the front I/O module from the chassis.



11. If installed, remove the optical drive.

## Results

The removal procedure is complete. To replace the component, reverse this procedure.

## Drive backplane replacement

### Subtopics

- [Removing and replacing the 4 LFF drive backplane](#)
- [Removing and replacing the 8 SFF drive backplane](#)
- [Removing and replacing the E3.S drive backplane](#)

## Removing and replacing the 4 LFF drive backplane

### Prerequisites

Before you perform this procedure, make sure that you have a T-15 Torx screwdriver available.

### About this task

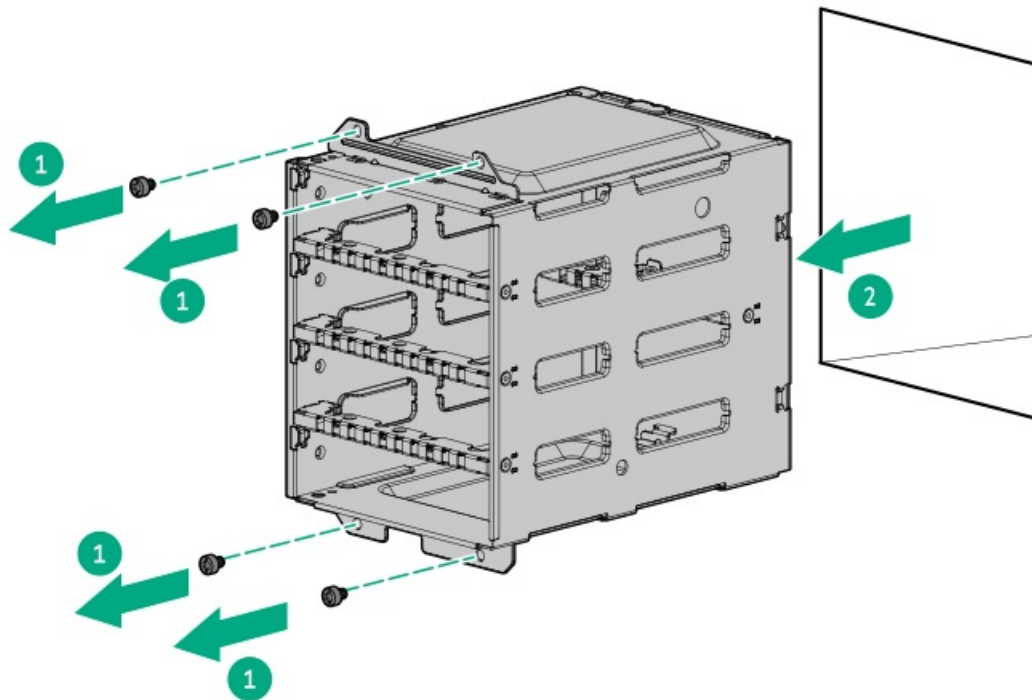


### CAUTION

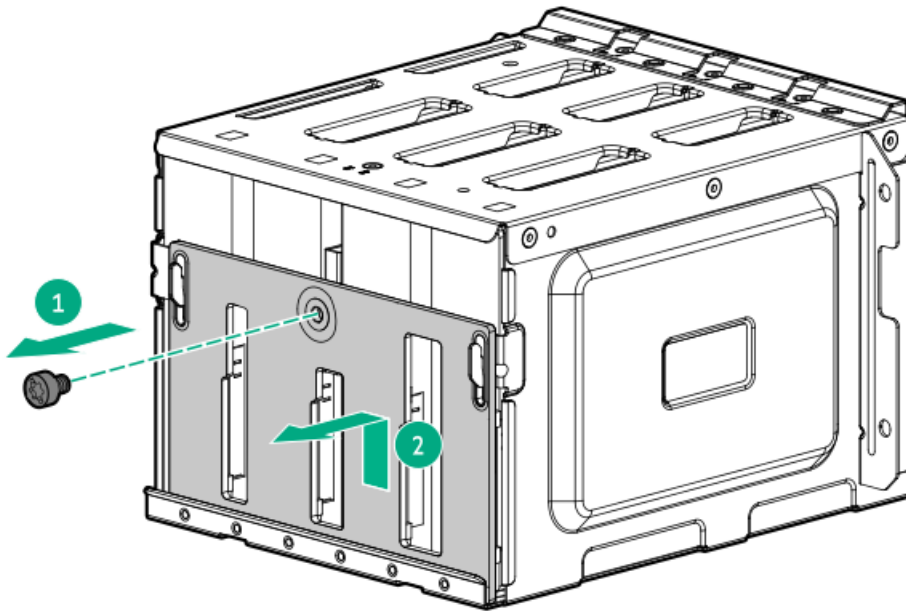
A discharge of static electricity from a finger or other conductor might damage system boards or other static-sensitive devices. To prevent damage, observe antistatic precautions.

## Procedure

1. Remove the front bezel.
2. Remove all drives.
3. Power down the server.
4. Remove all power:
  - a. Disconnect each power cord from the power source.
  - b. Disconnect each power cord from the server.
5. Disconnect all peripheral cables from the server.
6. Do one of the following:
  - If the server is in tower mode, place the server on a flat, level surface with the access panel facing up.
  - If the server is in rack mode, remove the server from the rack.
7. Remove the access panel.
8. Disconnect all cables from the drive backplane.
9. Remove 4 LFF drive cage:
  - a. Remove the screws.
  - b. Remove the drive cage from the server.



10. Remove the 4 LFF drive backplane.



## Results

The removal procedure is complete. To replace the component, reverse this procedure.

## Removing and replacing the 8 SFF drive backplane

### Prerequisites

Before you perform this procedure, make sure that you have a T-15 Torx screwdriver available.

### About this task

[https://support.hpe.com/hpesc/public/videoDisplay?videoid=vpsg00005486en\\_us&noframe](https://support.hpe.com/hpesc/public/videoDisplay?videoid=vpsg00005486en_us&noframe)



#### CAUTION

A discharge of static electricity from a finger or other conductor might damage system boards or other static-sensitive devices. To prevent damage, observe [antistatic precautions](#).

### Procedure

1. Remove the front bezel.
2. Remove all drives.
3. Power down the server.
4. Remove all power:
  - a. Disconnect each power cord from the power source.
  - b. Disconnect each power cord from the server.
5. Disconnect all peripheral cables from the server.
6. Do one of the following:
  - If the server is in tower mode, place the server on a flat, level surface with the access panel facing up.



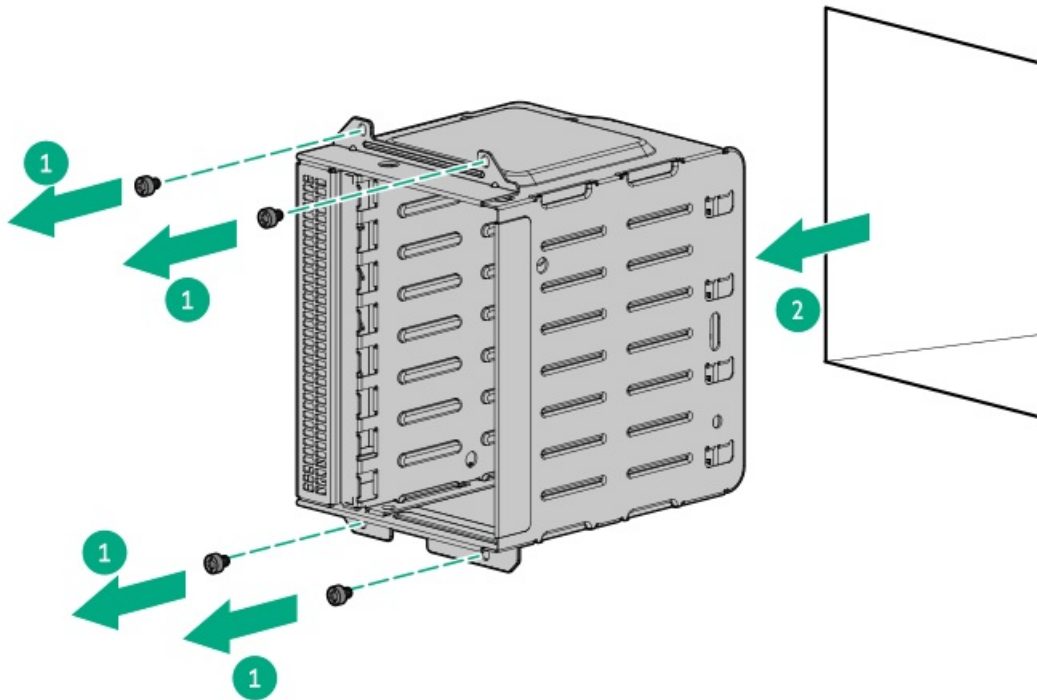
- If the server is in rack mode, remove the server from the rack.

7. Remove the access panel.

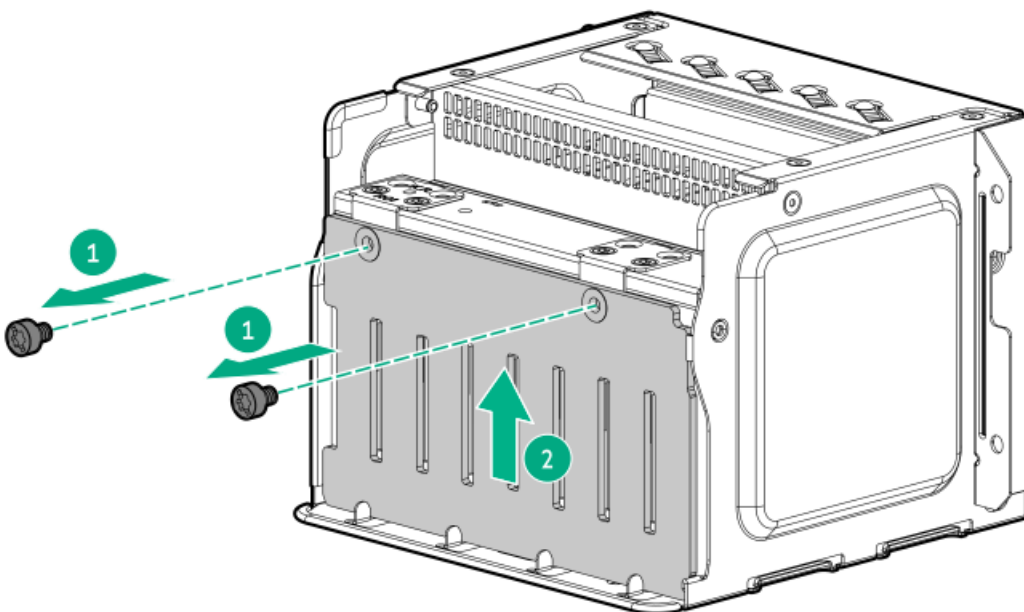
8. Disconnect all cables from the drive backplane.

9. Remove the 8 SFF drive cage:

- a. Remove the screws.
- b. Remove the drive cage from the server.



10. Remove the 8 SFF drive backplane.



## Results

The removal procedure is complete. To replace the component, reverse this procedure.

# Removing and replacing the E3.S drive backplane

## Prerequisites

Before you perform this procedure, make sure that you have a T-15 Torx screwdriver available.

## About this task

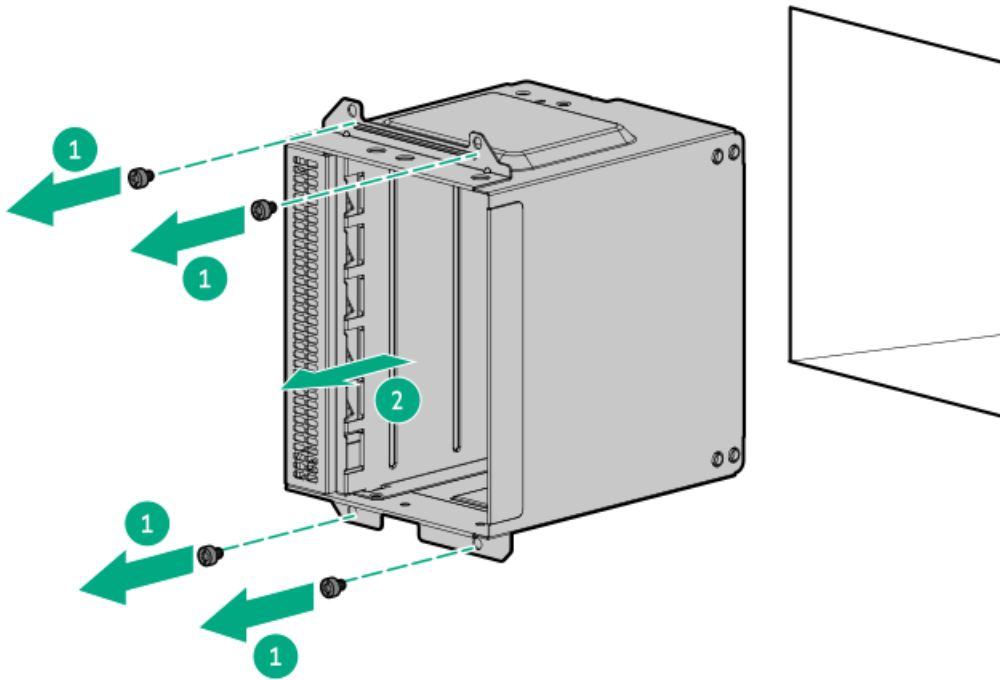


### CAUTION

A discharge of static electricity from a finger or other conductor might damage system boards or other static-sensitive devices. To prevent damage, observe [antistatic precautions](#).

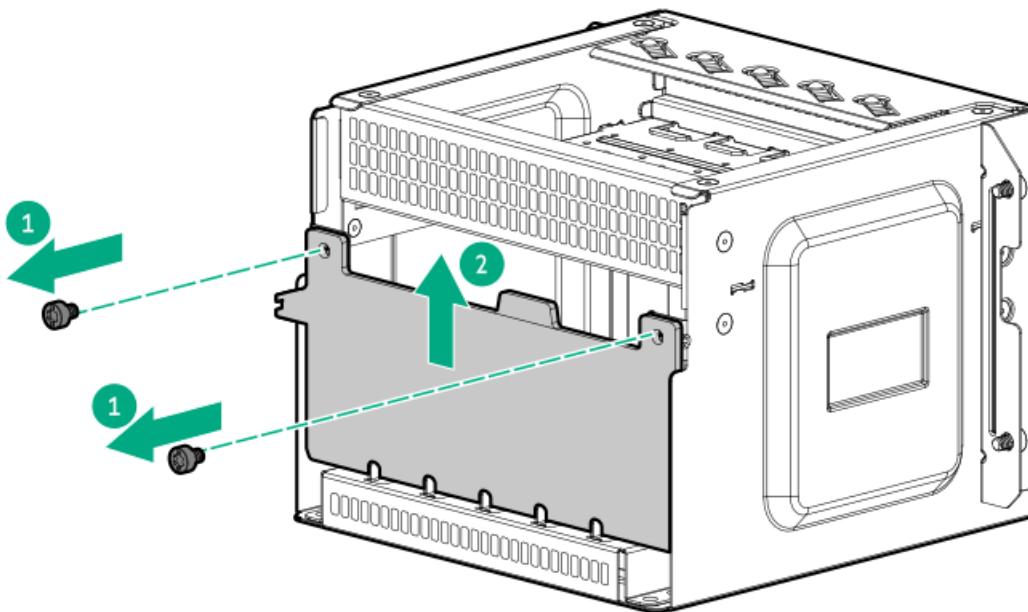
## Procedure

1. [Remove the front bezel](#).
2. [Remove all drives](#).
3. [Power down the server](#).
4. Remove all power:
  - a. Disconnect each power cord from the power source.
  - b. Disconnect each power cord from the server.
5. Disconnect all peripheral cables from the server.
6. Do one of the following:
  - If the server is in tower mode, [place the server on a flat, level surface with the access panel facing up](#).
  - If the server is in rack mode, [remove the server from the rack](#).
7. [Remove the access panel](#).
8. Disconnect all cables from the drive backplane.
9. Remove the E3.S drive cage:
  - a. Remove the drive cage screws.
  - b. Remove the E3.S drive cage from the server.



10. Remove the E3.S drive backplane:

- a. Remove the backplane screws.
- b. Remove the backplane from the drive cage.



## Results

The removal procedure is complete. To replace the component, reverse this procedure.

## Fan replacement

## Subtopics

### Fan population

#### Fan redundancy support

#### Removing and replacing the internal fan in hot-plug mode

#### Removing and replacing the internal fan in non-hot-plug mode

#### Removing and replacing the external fan

## Fan population

- In a single-processor system, nonredundant configuration, fans 2–4 are preinstalled in the fan cage and a fan blank is preinstalled in bay 1.
- In a dual-processor system, nonredundant configuration requires a fan in bay 1.
- To enable redundant fan mode in single- and dual-processor systems, install fans in bay 1, 5–8.
- In the E3.S drive configuration, the external fan 10 is default in the server.
- When installing GPU options in the primary and secondary risers, external fans 9–10 covering the rear side of riser slots are highly recommended.
- To maintain optimum system cooling, observe the following fan requirements for specific hardware components:

Hardware component	Bay 1	Bays 2–4	Bays 5–8	Bay 9	Bay 10	Fan redundancy
HPE NS204i-u Boot Device	Fan	Fan	—	—	—	Not supported
Tertiary riser	Fan	Fan	—	—	—	Not supported
Processor with a TDP of 300 W or higher	Fan	Fan	Fan	—	—	Supported
High power GPU <sup>1</sup> on the primary riser	Fan	Fan	Fan	—	Fan <sup>2</sup>	Supported
High power GPU <sup>1</sup> on the secondary riser	Fan	Fan	Fan	Fan <sup>2</sup>	—	Supported
E3.S drives	Fan	Fan	Fan	—	Fan	Supported

<sup>1</sup> For limited operating inlet ambient temperature requirements when GPUs are installed, see the server QuickSpecs on the Hewlett Packard Enterprise website (<https://www.hpe.com/info/quickspecs>).

<sup>2</sup> For additional cooling support, Hewlett Packard Enterprise highly recommends installing an external fan.

## Fan redundancy support

The number of fans installed in the server determines fan redundancy. When redundant fan mode is enabled, hot-plug fan operation is supported.

In this server, fan operation can either be:

- Hot-plug—A failed fan can be replaced without powering down the server.
- Non-hot-plug—To replace a failed fan, the user must either:

- Keep the server powered on and complete the fan replacement within 60 seconds of opening the access panel, or
- Power down and disconnect all power from the server before removing the access panel for fan replacement.

## Removing and replacing the internal fan in hot-plug mode

### About this task

Only the server in rack mode supports fan replacement in hot-plug mode.



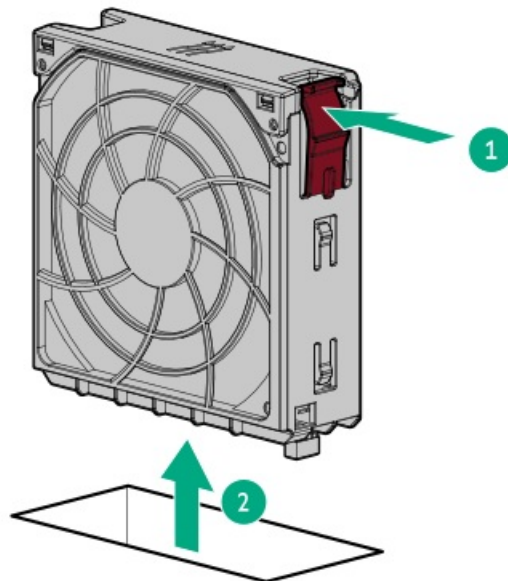
#### CAUTION

To maintain proper system cooling, do not operate the server for long period with the access panel open or removed. Operating the server in this manner results in an improper system airflow. For internal hot-plug component procedures, complete the procedure within 60 seconds. Failure to do so can cause the system temperature to increase and trip the safety threshold. When this happens:

- The health LED flashes amber.
- The operating system gracefully shuts down.

### Procedure

1. Extend the server from the rack.
2. Unlock the front bezel.
3. Remove the access panel.
4. Remove the internal fan:
  - a. Press and hold the latch.
  - b. Lift the fan from the bay.



### Results

The removal procedure is complete. To replace the component, reverse this procedure.

When installing the fan replacement, make sure that the fan clicks into place.

## Removing and replacing the internal fan in non-hot-plug mode

### About this task

[https://support.hpe.com/hpesc/public/videoDisplay?videoid=vpsq00005496en\\_us&noframe](https://support.hpe.com/hpesc/public/videoDisplay?videoid=vpsq00005496en_us&noframe)

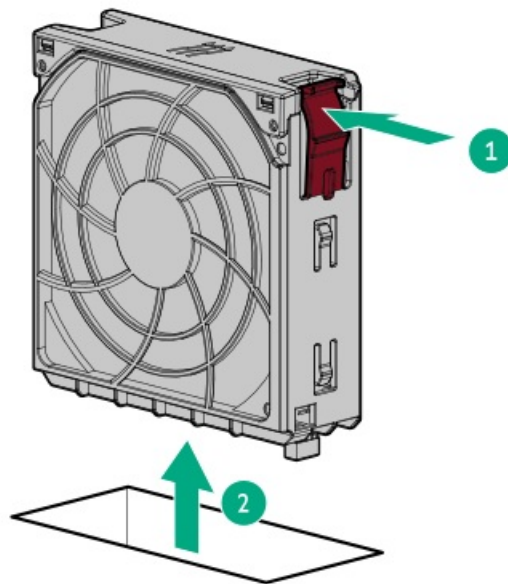


#### CAUTION

To prevent improper cooling and thermal damage, do not operate the server unless all bays are populated with either a component or a blank.

### Procedure

1. Power down the server.
2. Remove all power:
  - a. Disconnect each power cord from the power source.
  - b. Disconnect each power cord from the server.
3. Disconnect all peripheral cables from the server.
4. If the server is in tower mode, place the server on a flat, level surface with the access panel facing up.
5. If the server is in rack mode, do one of the following:
  - Extend the server from the rack.
  - Remove the server from the rack.
6. Unlock the front bezel.
7. Remove the access panel.
8. Remove the internal fan:
  - a. Press and hold the latch.
  - b. Lift the fan from the bay.



## Results

The removal procedure is complete. To replace the component, reverse this procedure.

When installing the fan replacement, make sure that the fan clicks into place.

## Removing and replacing the external fan

### Prerequisites

Before you perform this procedure, make sure that you have a T-15 Torx screwdriver available.

### About this task



#### CAUTION

To prevent improper cooling and thermal damage, do not operate the server unless all bays are populated with either a component or a blank.

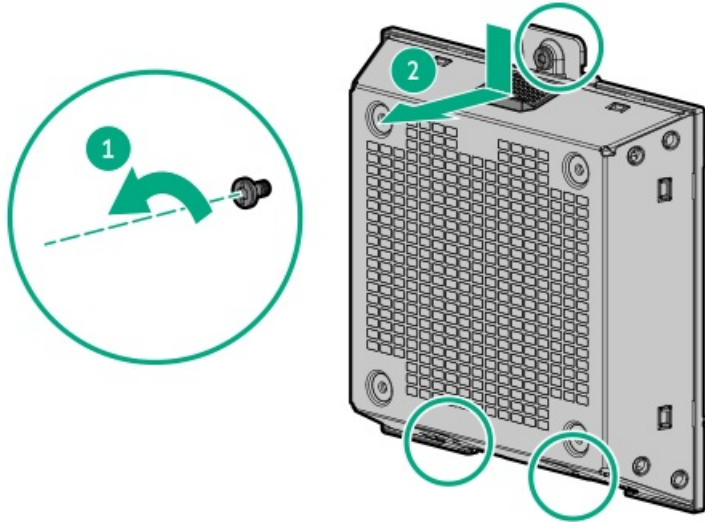
### Procedure

1. Power down the server.
2. Remove all power:
  - a. Disconnect each power cord from the power source.
  - b. Disconnect each power cord from the server.
3. Disconnect all peripheral cables from the server.
4. If the server is in tower mode, place the server on a flat, level surface with the access panel facing up.
5. If the server is in rack mode, do one of the following:
  - Extend the server from the rack.

- Remove the server from the rack.

6. Remove the external fan:

- a. Loosen the captive screws.
- b. Remove the external fan from the bay.



## Results

The removal procedure is complete. To replace the component, reverse this procedure.

## Removing and replacing the external fan cable

### Prerequisites

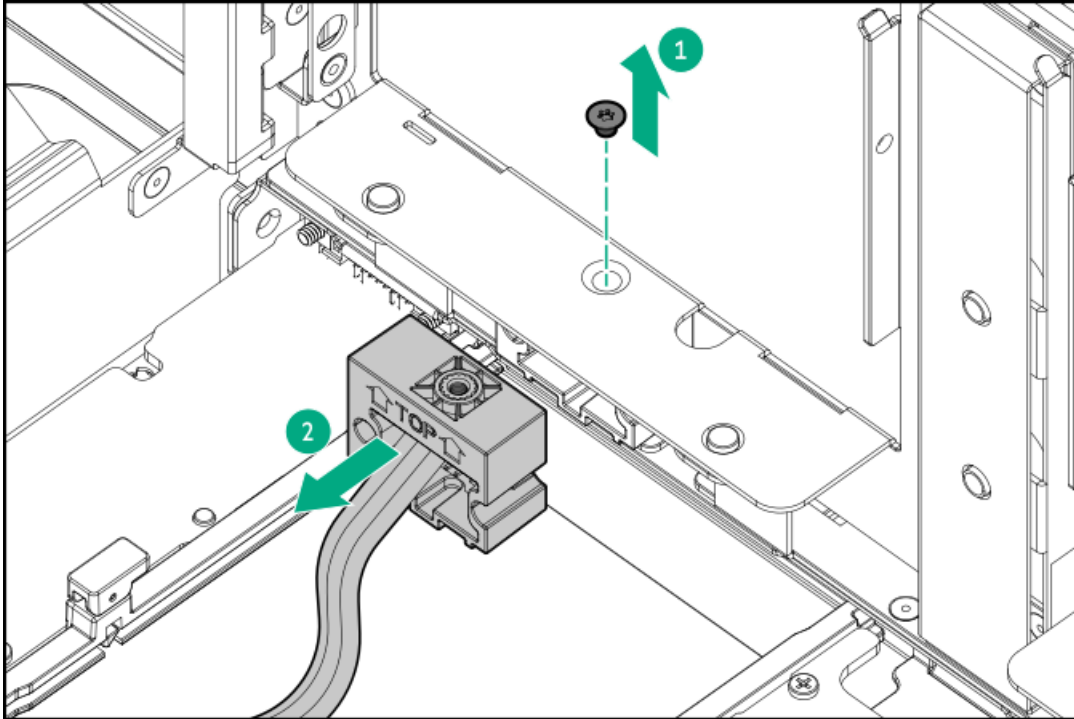
Before you perform this procedure, make sure that you have a T-10 Torx screwdriver available.

### Procedure

1. Power down the server.
2. Remove all power:
  - a. Disconnect each power cord from the power source.
  - b. Disconnect each power cord from the server.
3. Disconnect all peripheral cables from the server.
4. Do one of the following:
  - If the server is in tower mode, place the server on a flat, level surface with the access panel facing up.
  - If the server is in rack mode, remove the server from the rack.
5. Remove the access panel.
6. Do one of the following:



- Remove the primary riser cage.
  - Remove the secondary riser cage.
7. Remove the external fan.
  8. Remove the external fan cable:
    - a. Remove the cable screw.
    - b. Remove the cable from the cable connector slot.



## Results

The removal procedure is complete. To replace the component, reverse this procedure.

## Removing and replacing the fan blank

### About this task



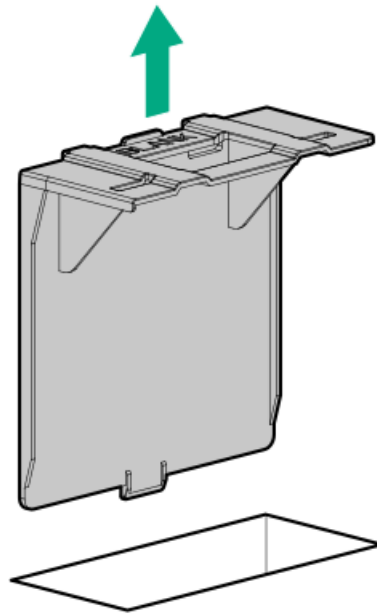
#### CAUTION

To prevent improper cooling and thermal damage, do not operate the server unless all bays are populated with either a component or a blank.

### Procedure

1. Power down the server.
2. Remove all power:
  - a. Disconnect each power cord from the power source.
  - b. Disconnect each power cord from the server.
3. Disconnect all peripheral cables from the server.

4. If the server is in tower mode, place the server on a flat, level surface with the access panel facing up.
5. If the server is in rack mode, do one of the following:
  - Extend the server from the rack.
  - Remove the server from the rack.
6. Unlock the front bezel.
7. Remove the access panel.
8. Remove the fan blank.



## Results

The removal procedure is complete. To replace the component, reverse this procedure.

## Removing and replacing the fan cage

### About this task

[https://support.hpe.com/hpsc/public/videoDisplay?videoid=vpsg00005495en\\_us&noframe](https://support.hpe.com/hpsc/public/videoDisplay?videoid=vpsg00005495en_us&noframe)

### Procedure

1. Power down the server.
2. Remove all power:
  - a. Disconnect each power cord from the power source.
  - b. Disconnect each power cord from the server.
3. Disconnect all peripheral cables from the server.
4. Do one of the following:

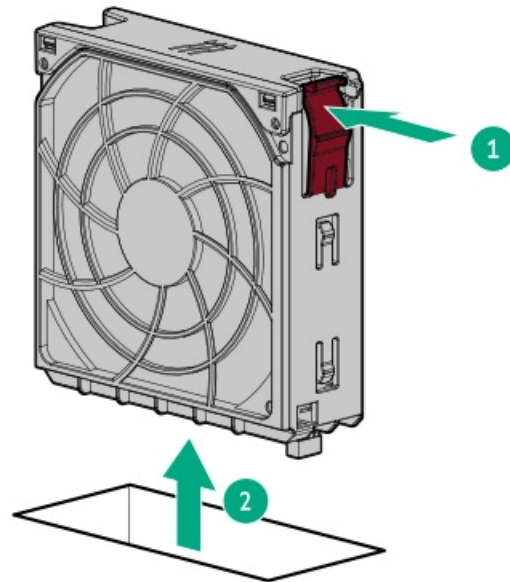
- If the server is in tower mode, place the server on a flat, level surface with the access panel facing up.
- If the server is in rack mode, remove the server from the rack.

5. Unlock the front bezel.

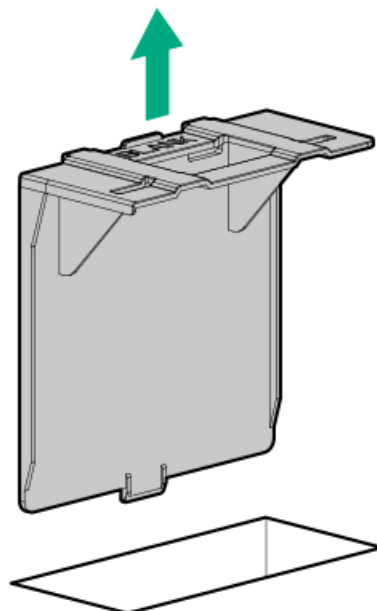
6. Remove the access panel.

7. Remove the existing internal fans:

- a. Press and hold the latch.
- b. Lift the fan from the bay.

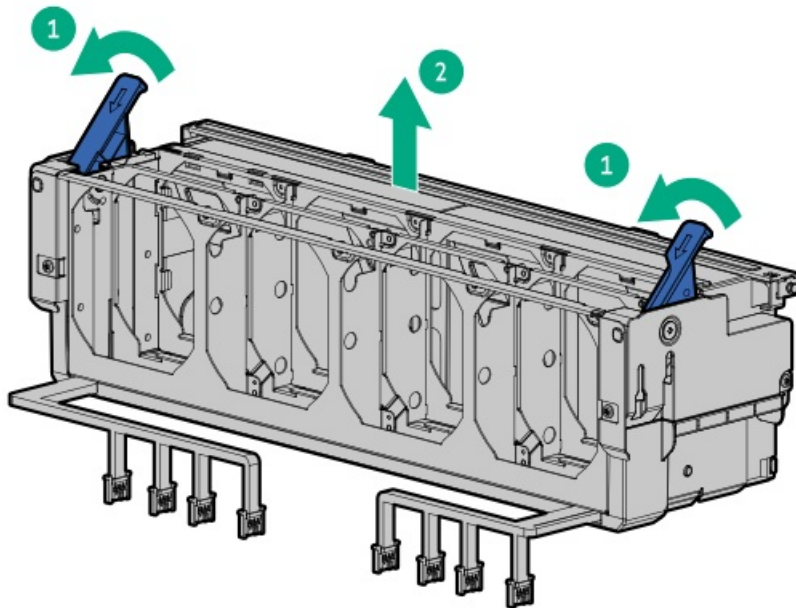


8. If installed, remove the fan blank from bay 1.



9. Disconnect the fan cage cables from the system board.

10. Remove the fan cage:
  - a. Open the fan cage latches.
  - b. Lift the fan cage away from the chassis.



## Results

The removal procedure is complete. To replace the component, reverse this procedure.

## Removing and replacing a DIMM

### About this task

[https://sketchfab.com/models/1c5d64e66cc9428fad4b17894ae4c32c/embed?ui\\_infos=0&ui\\_watermark=0&ui\\_help=0&ui\\_vr=0&ui\\_settings=0&ui\\_inspector=0&ui\\_hint=2&ui\\_color=01a982&ui\\_theme=dark&autostart=1&camera=0&](https://sketchfab.com/models/1c5d64e66cc9428fad4b17894ae4c32c/embed?ui_infos=0&ui_watermark=0&ui_help=0&ui_vr=0&ui_settings=0&ui_inspector=0&ui_hint=2&ui_color=01a982&ui_theme=dark&autostart=1&camera=0&)



#### CAUTION

Before replacing a DIMM, backplane, expansion card, riser board, or other similar PCA components due to a perceived hardware error, make sure first that the component is firmly seated in the slot.

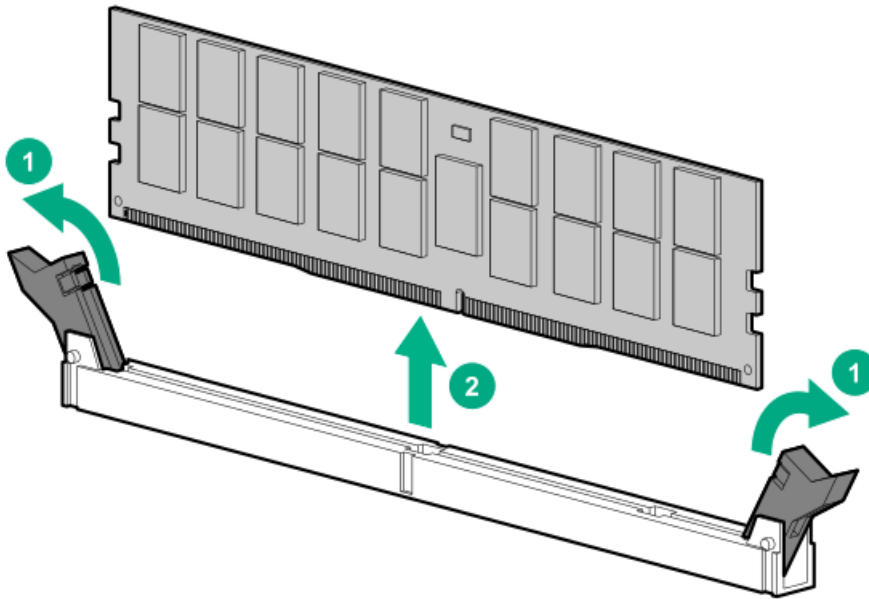
When installing the replacement component:

- Observe antistatic precautions.
- Handle the PCA only along the edges.
- Do not touch the components and connectors on the PCA.
- Do not bend or flex the PCA.

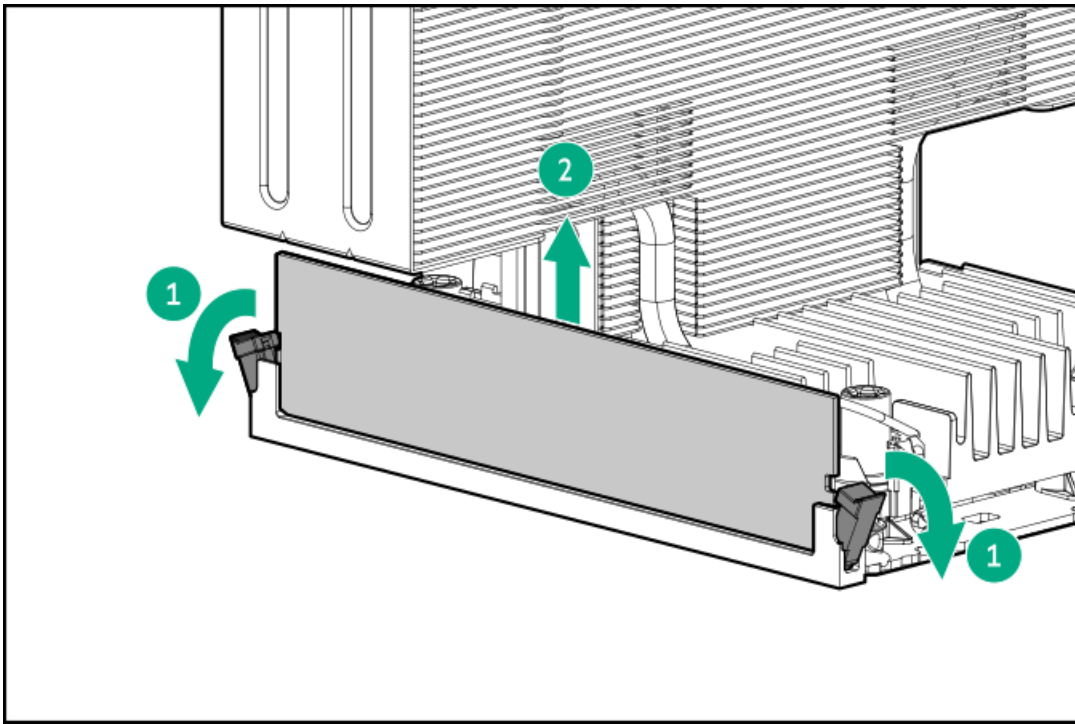
## Procedure

1. Back up all server data.

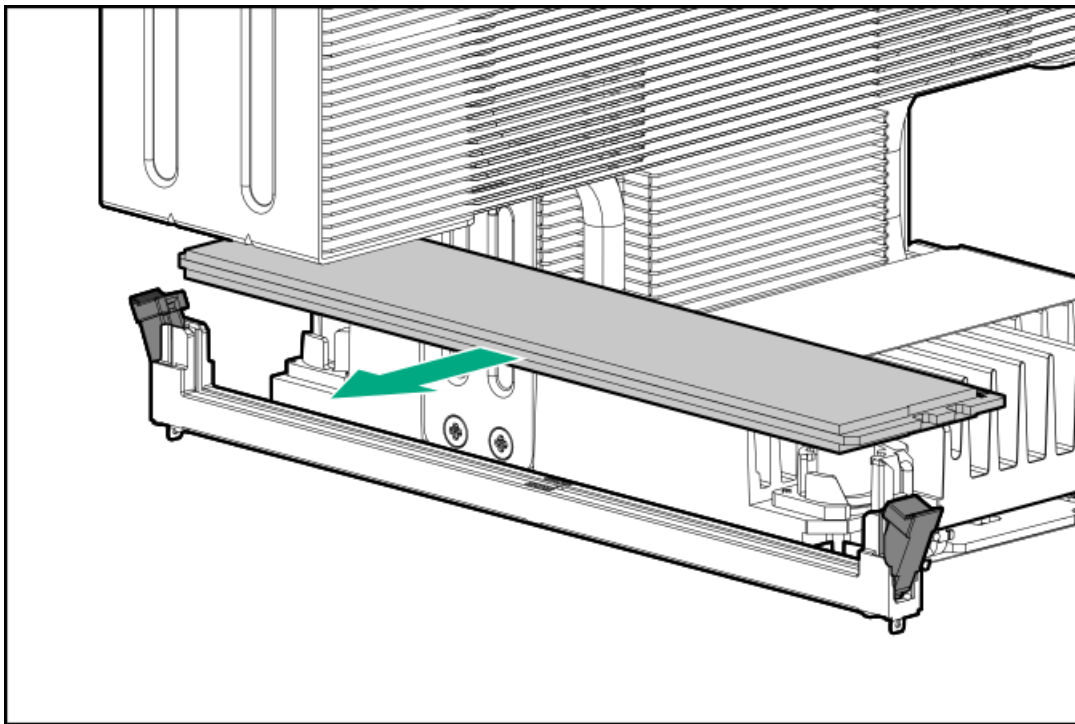
2. Power down the server.
3. Remove all power:
  - a. Disconnect each power cord from the power source.
  - b. Disconnect each power cord from the server.
4. Disconnect all peripheral cables from the server.
5. Do one of the following:
  - If the server is in tower mode, place the server on a flat, level surface with the access panel facing up.
  - If the server is in rack mode, remove the server from the rack.
6. Unlock the front bezel.
7. Remove the access panel.
8. Remove the fan cage.
9. Remove the DIMM in the standard heatsink configuration:
  - a. Open the DIMM slot latches.
  - b. Lift the DIMM out of the slot.



10. Remove a DIMM in the performance heatsink configuration:
  - a. Open the DIMM slot latches.
  - b. Lift the DIMM out of the slot.



c. Position the DIMM in a horizontal orientation and carefully slide the DIMM from the slot under the performance heatsink.



## Results

The removal procedure is complete. To replace the component, reverse this procedure.

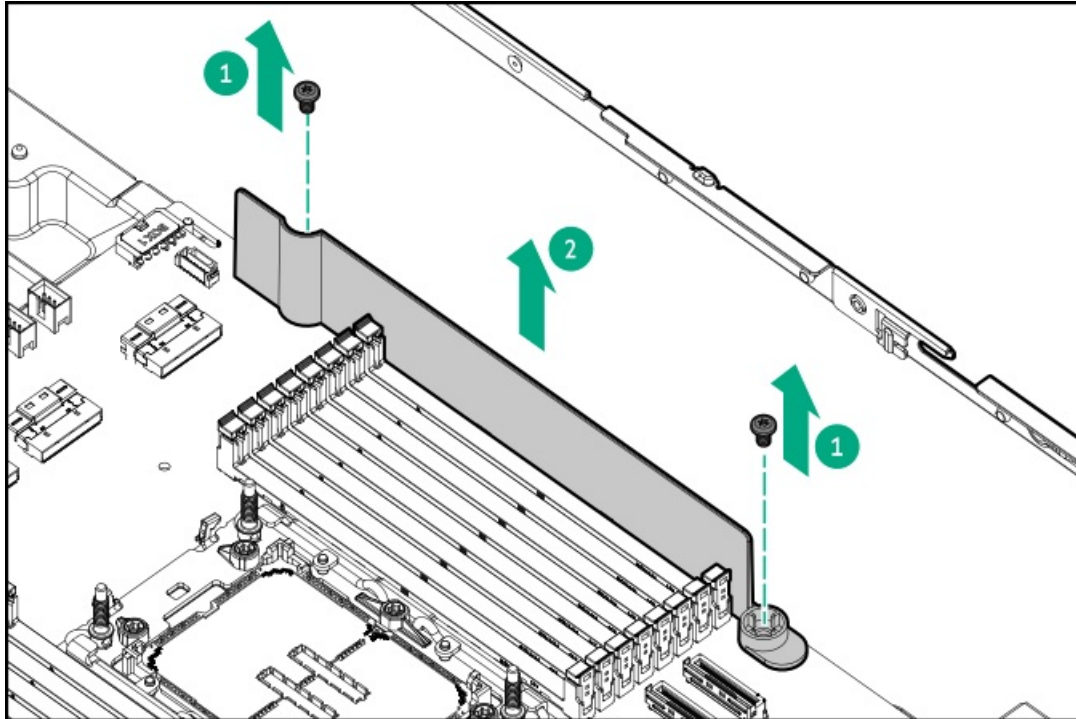
## Removing and replacing a DIMM guard

### Prerequisites

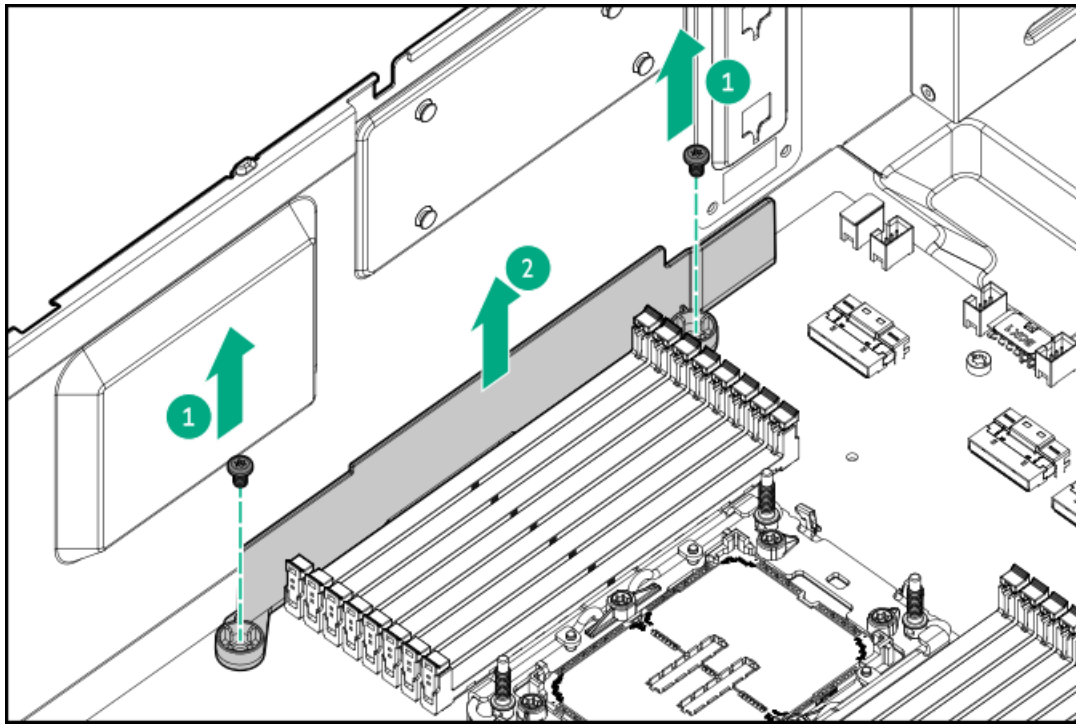
Before you perform this procedure, make sure that you have a T-15 Torx screwdriver available.

## Procedure

1. Power down the server.
2. Remove all power:
  - a. Disconnect each power cord from the power source.
  - b. Disconnect each power cord from the server.
3. Disconnect all peripheral cables from the server.
4. Do one of the following:
  - If the server is in tower mode, place the server on a flat, level surface with the access panel facing up.
  - If the server is in rack mode, remove the server from the rack.
5. Unlock the front bezel.
6. Remove the access panel.
7. Remove the fan cage.
8. Remove the DIMM guard.
  - Left



- Right



## Results

The removal procedure is complete. To replace the component, reverse this procedure.

## Heatsink replacement

### Subtopics

[Removing the heatsink](#)

[Installing the heatsink](#)

## Removing the heatsink

### Prerequisites

- [Identify the heatsink and processor socket components.](#)
- [Review the processor cautions.](#)
- Before you perform this procedure, make sure that you have the following items available:
  - T-30 Torx screwdriver
  - Alcohol wipe
- If you are not immediately installing the replacement processor-heatsink assembly, make sure that you have a processor socket dust cover.

### About this task



**WARNING**

To reduce the risk of personal injury from hot surfaces, allow the drives and the internal system components to cool before touching them.

**CAUTION**

A discharge of static electricity from a finger or other conductor might damage system boards or other static-sensitive devices. To prevent damage, observe antistatic precautions.

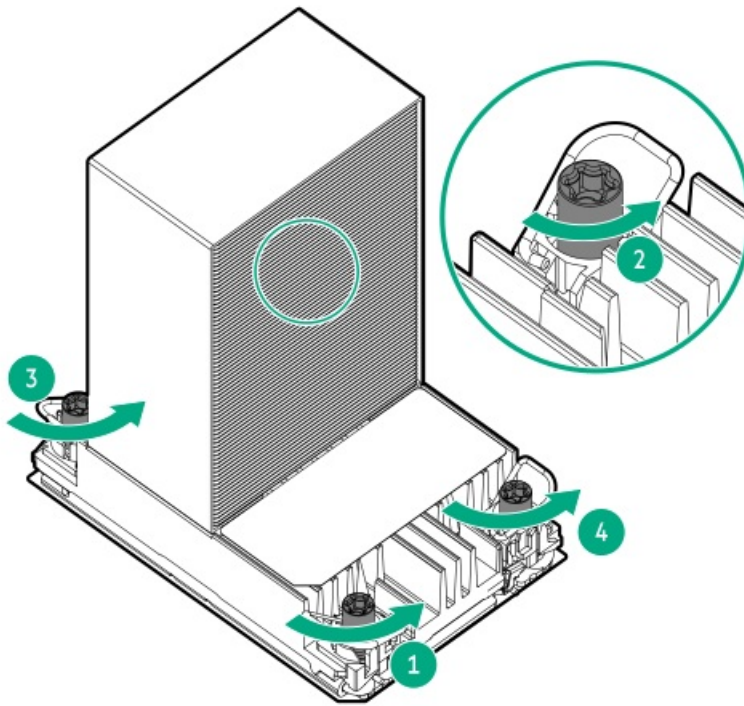
## Procedure

1. Power down the server.
2. Remove all power:
  - a. Disconnect each power cord from the power source.
  - b. Disconnect each power cord from the server.
3. Disconnect all peripheral cables from the server.
4. Do one of the following:
  - If the server is in tower mode, place the server on a flat, level surface with the access panel facing up.
  - If the server is in rack mode, remove the server from the rack.
5. Unlock the front bezel.
6. Remove the access panel.
7. Remove the fan cage.
8. Allow all internal system components to cool before continuing.
9. Loosen one pair of diagonally opposite screws, and then loosen the other pair of screws.

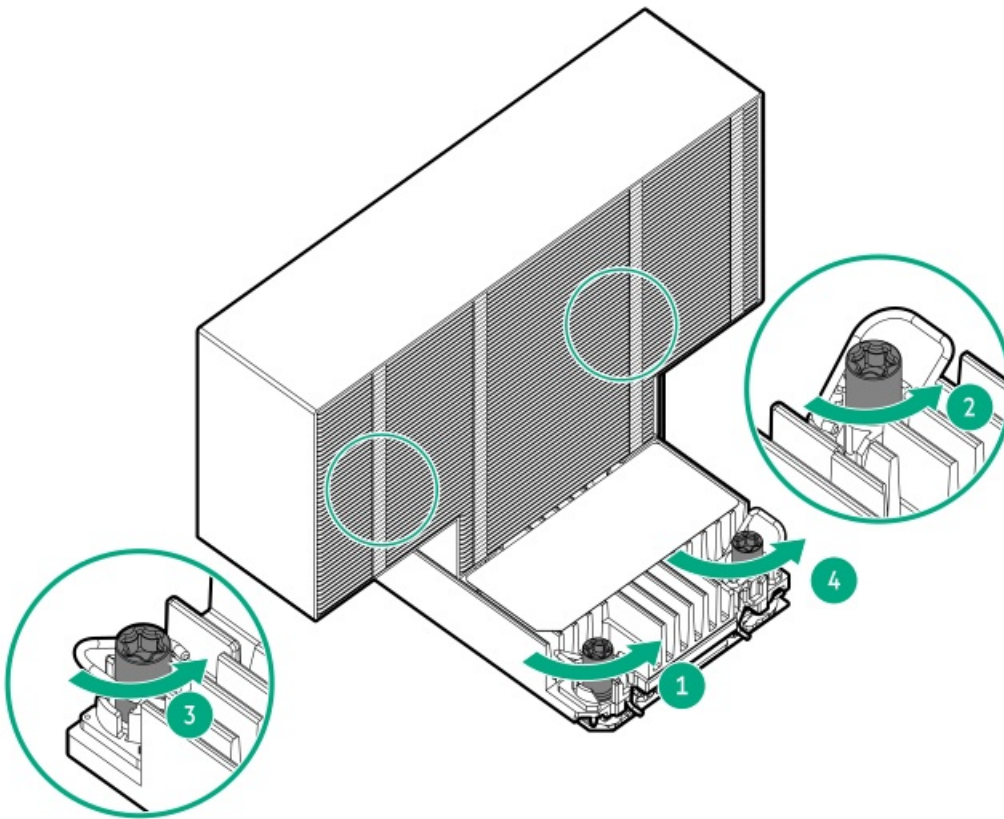
**CAUTION**

Heatsink screws must be tightened and loosened in alternating sequence. Do not overtighten the screws as this might damage the system board or the processor socket.

- Standard heatsink

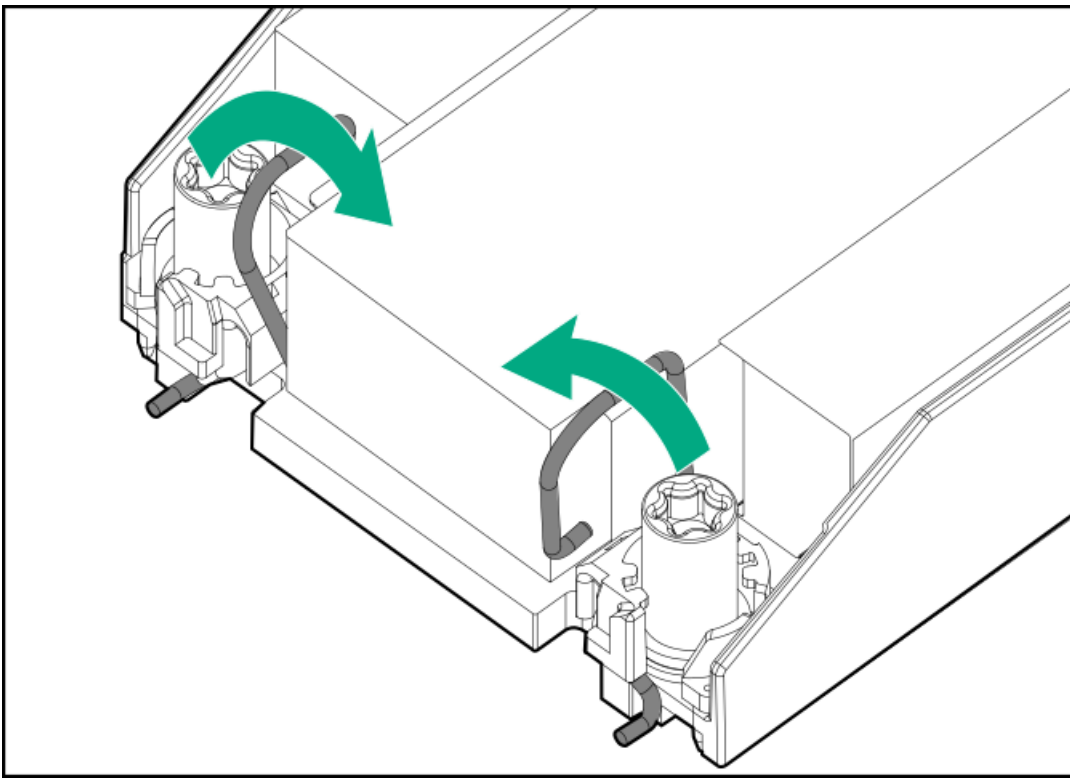


- Performance heatsink



10. Set the anti-tilt wires to the unlocked position.





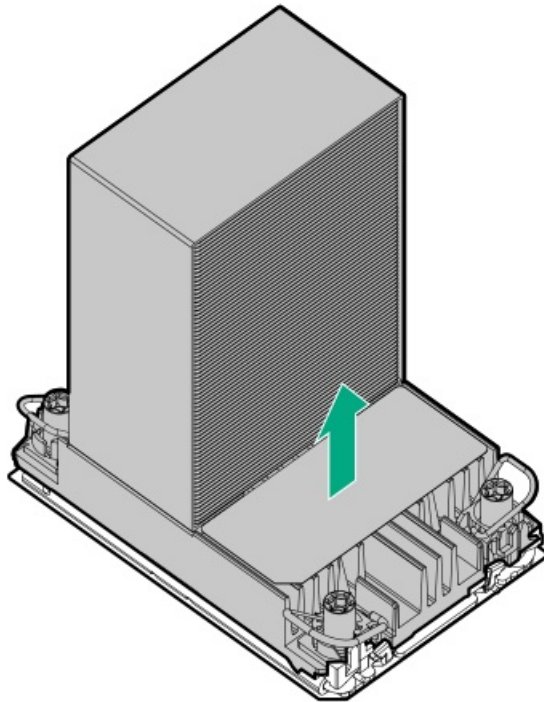
11. Lift the processor-heatsink module straight up from the system board.



**CAUTION**

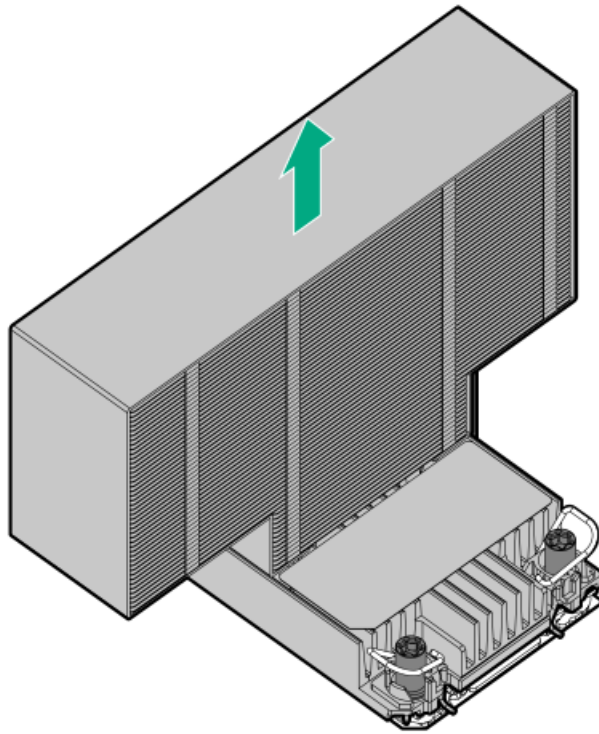
To prevent mechanical damage or depositing oil on your hands or other contaminants to the heatsink contact surface, hold the heatsink only by the edge of its base plate. Do not touch the heatsink fins.

- Standard heatsink

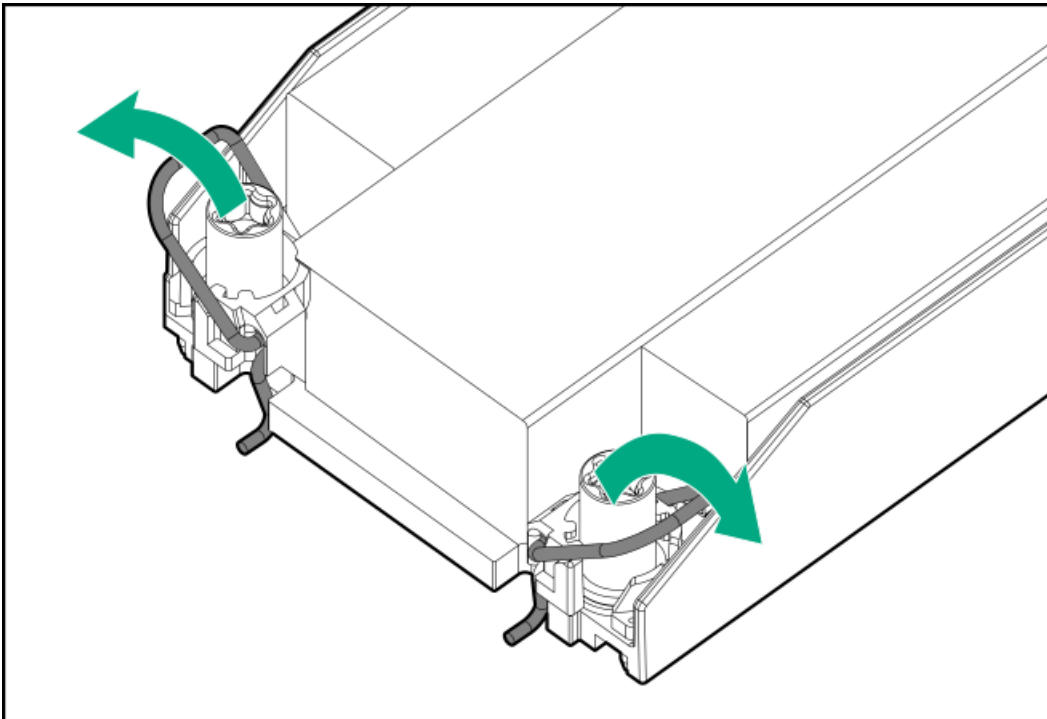


- Performance heatsink





12. Set the anti-tilt wires to the locked position.



13. Place the processor-heat sink module on a flat work surface with its contact side facing up.
14. If you are not immediately installing the replacement processor-heat sink module, install the dust cover on the empty processor socket:

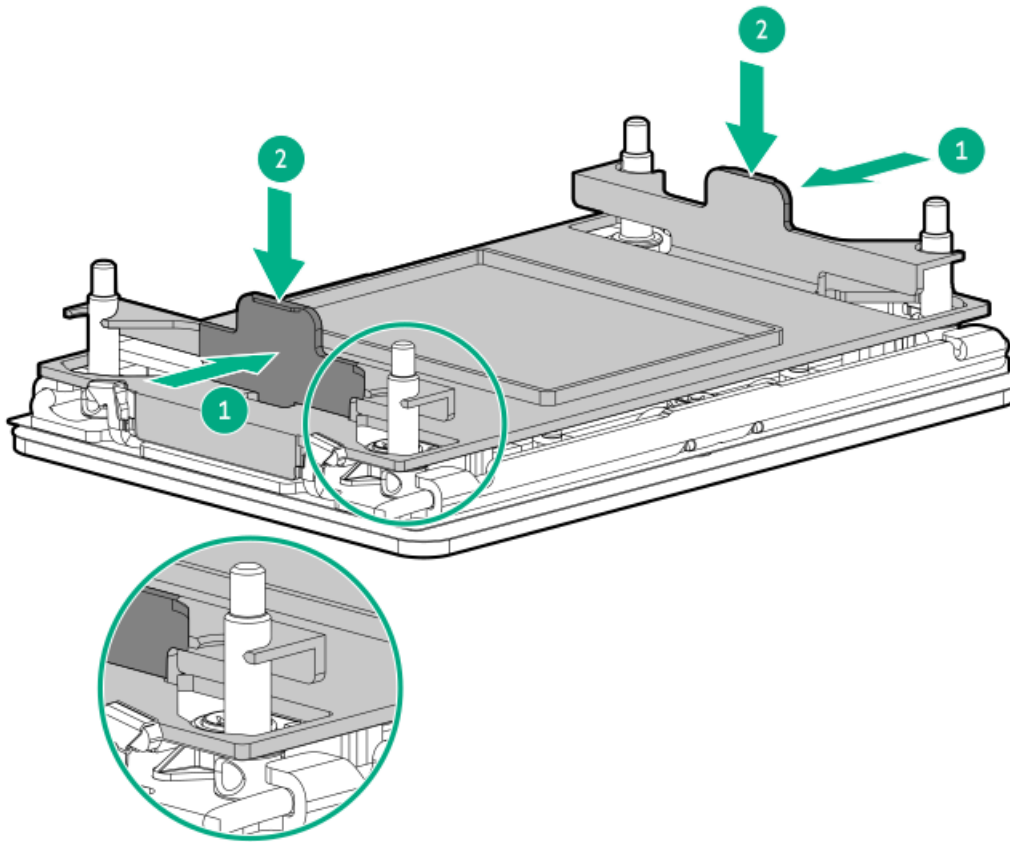


**CAUTION**

Do not press down on the dust cover. Pressing down on the dust cover might damage the processor socket.

- a. Press and hold the grip tabs on the dust cover.
- b. Carefully lower the dust cover onto the bolster plate guide posts.

Make sure that the corner holes of the dust cover are properly engaged with the guide posts on the bolster plate.

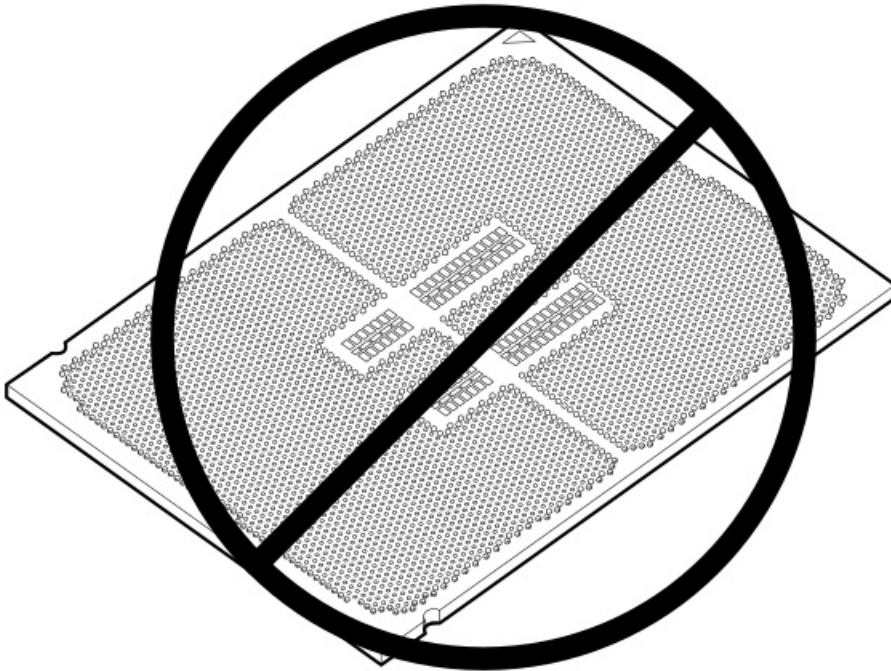
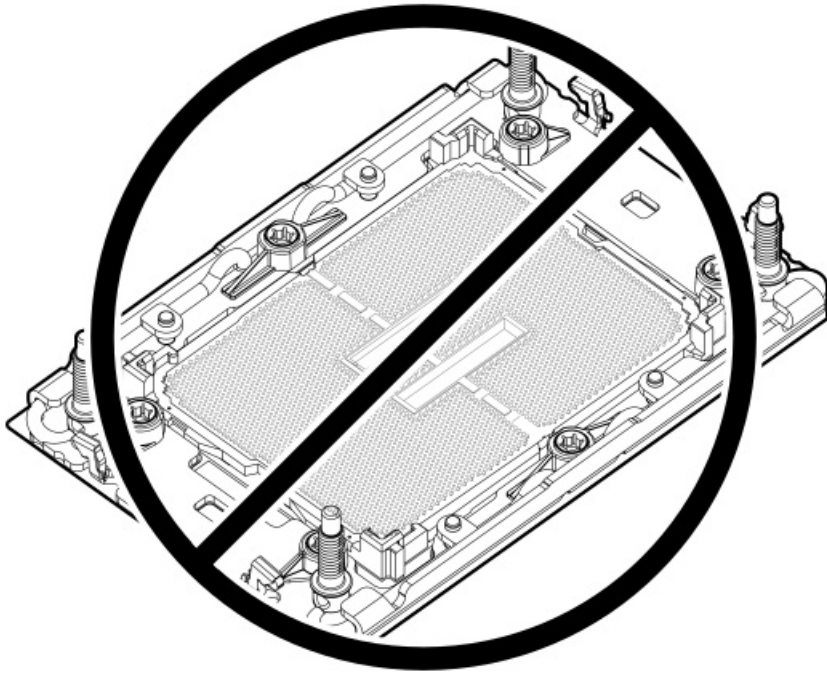


15. Do not touch the pins on the processor socket and the processor.



**CAUTION**

**THE PINS ON THE PROCESSOR SOCKET AND ON THE PROCESSOR ARE VERY FRAGILE AND EASILY DAMAGED.** Any damage to them might require replacing the system board.



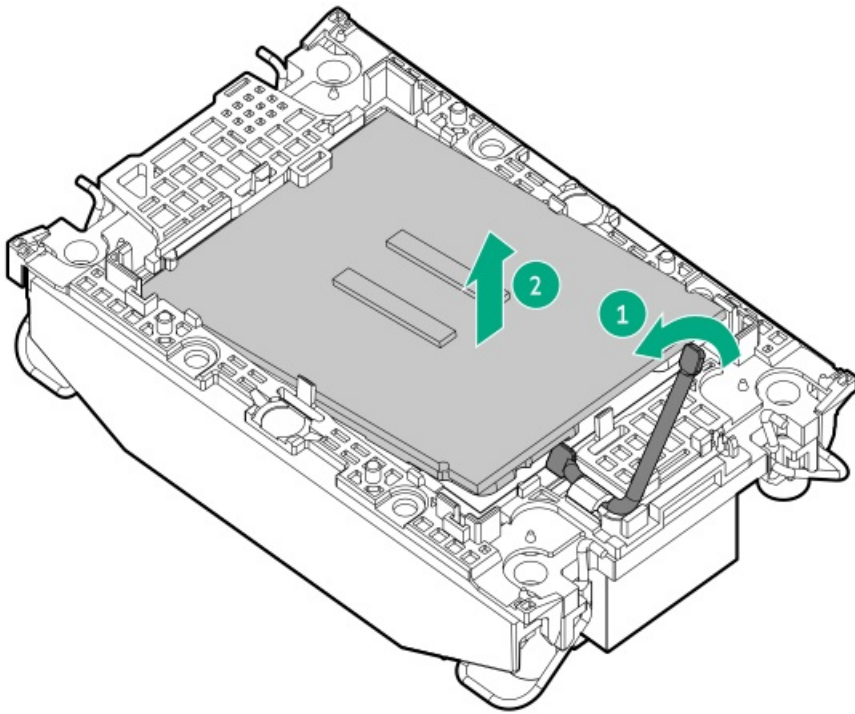
16. Remove the processor from the heatsink:

- a. Open the TIM breaker lever.

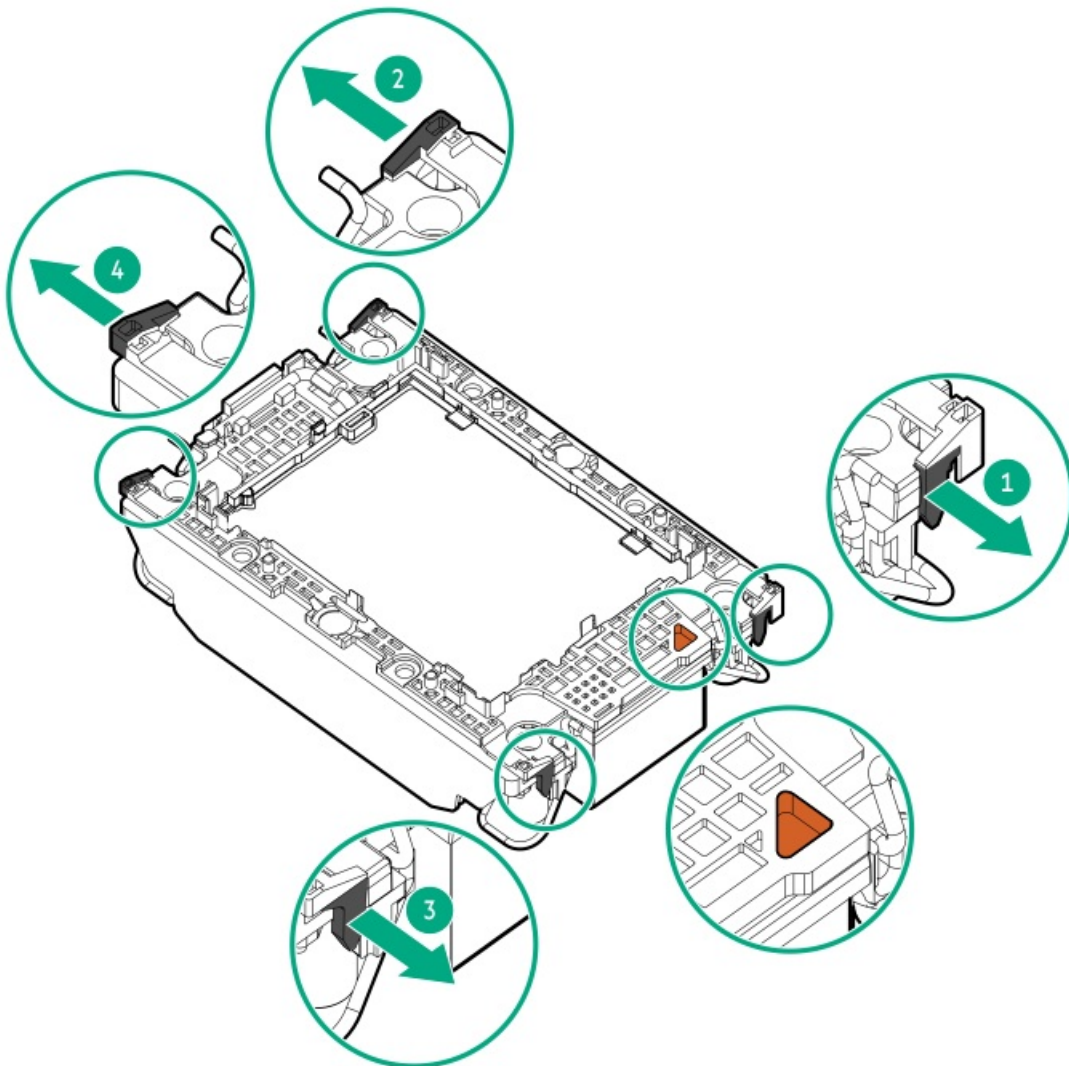
This action breaks the adhesion between the processor and the heatsink.

- b. Hold the processor on its edges, and then remove it from the carrier.



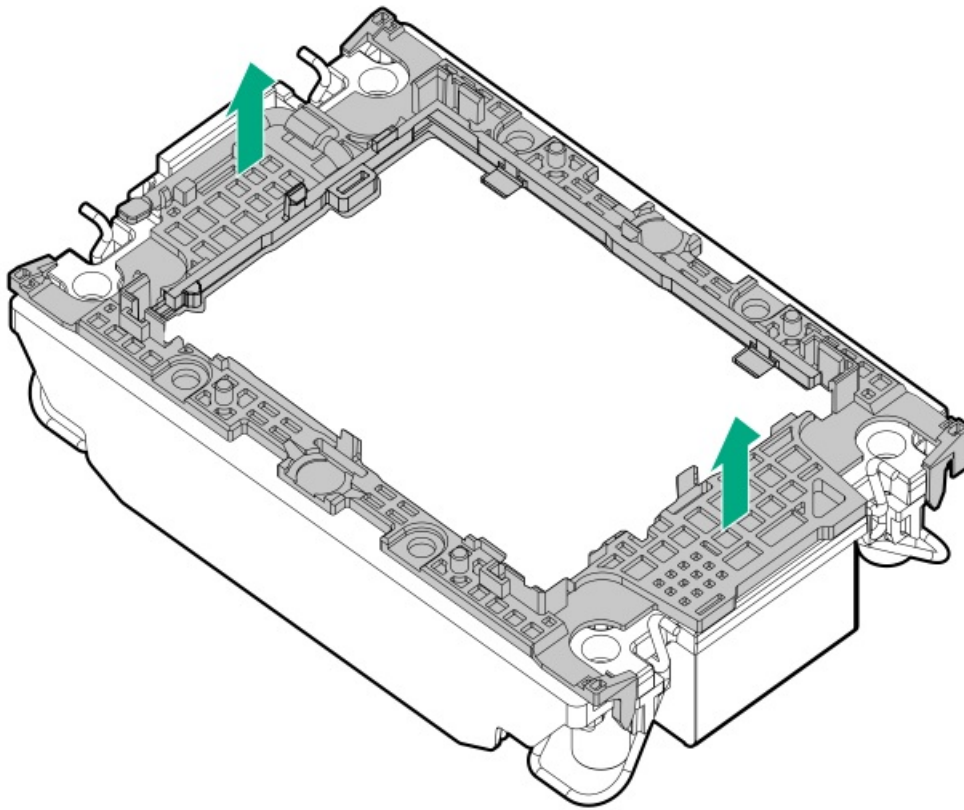


c. Starting from the pin 1 corner and moving in an opposite manner, disengage the processor carrier release tabs from the heatsink.



d. Lift the processor carrier away from the heatsink.





17. Use an alcohol wipe to remove the existing thermal grease from the heatsink and processor.

Allow the alcohol to evaporate before continuing.

## Installing the heatsink

### Prerequisites

- [Identify the heatsink and processor socket components.](#)
- [Review the processor cautions.](#)
- Before you perform this procedure, make sure that you have a torque screwdriver with T-30 Torx bit available.

### About this task

Processors with TDP equal to or greater than 195 W require performance heatsinks.



#### CAUTION

A discharge of static electricity from a finger or other conductor might damage system boards or other static-sensitive devices. To prevent damage, observe [antistatic precautions](#).

### Procedure

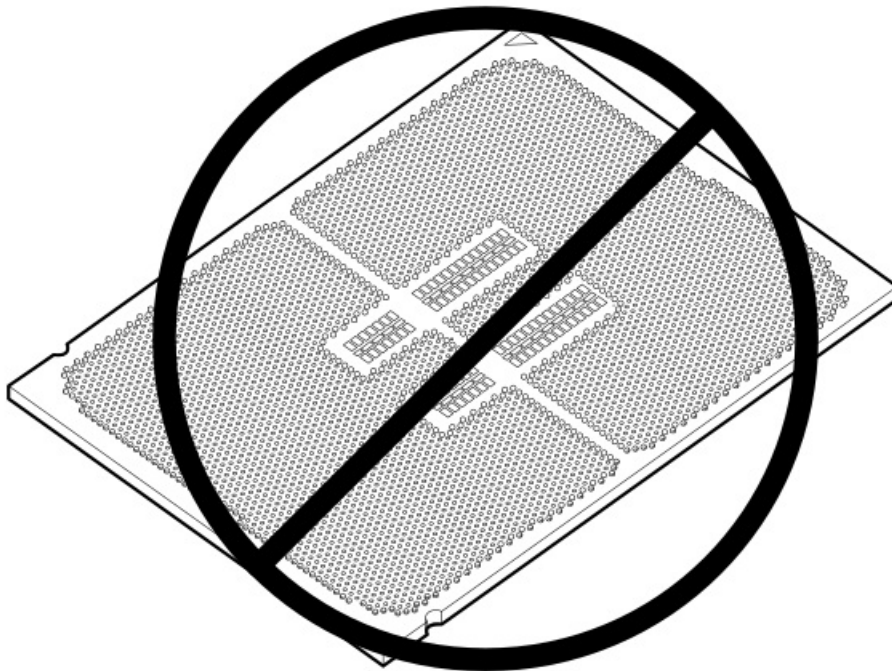
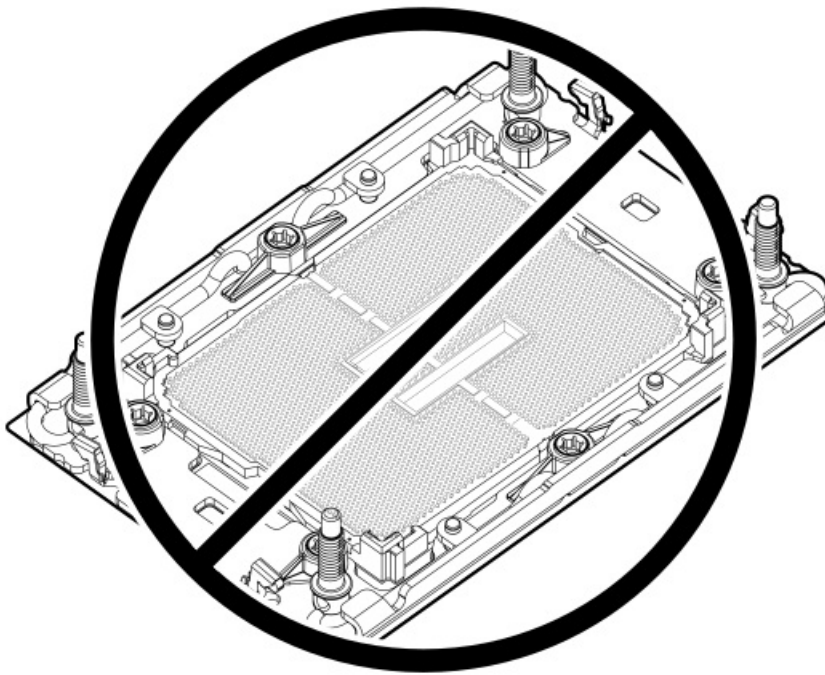
1. Do not touch the pins on the processor socket and the processor.



#### CAUTION

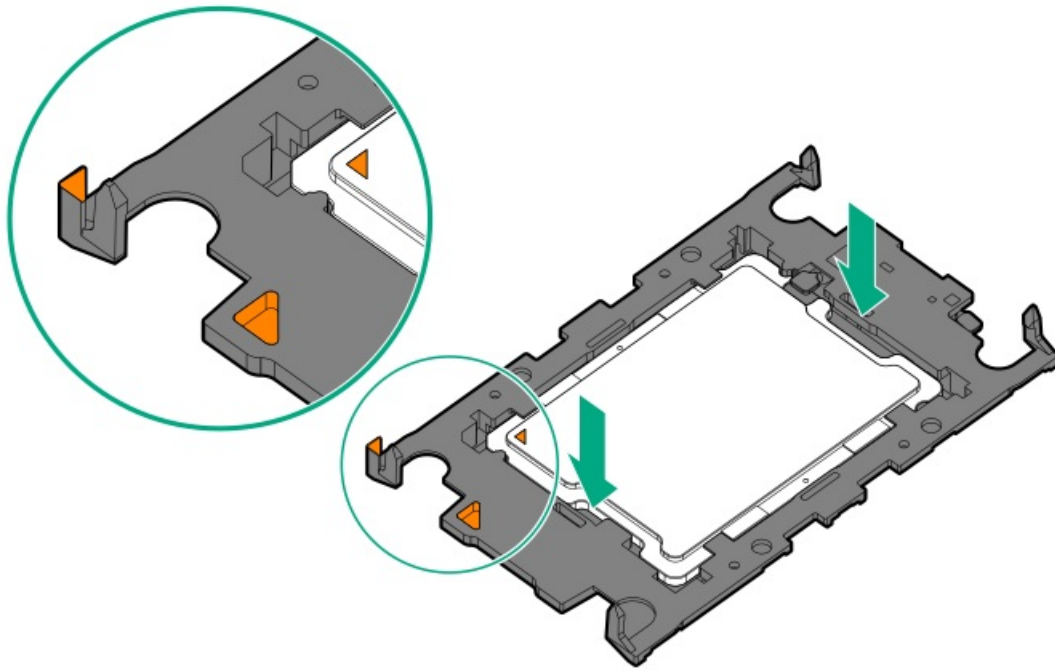
**THE PINS ON THE PROCESSOR SOCKET AND ON THE PROCESSOR ARE VERY FRAGILE AND EASILY DAMAGED.** Any damage to them might require replacing the system board.



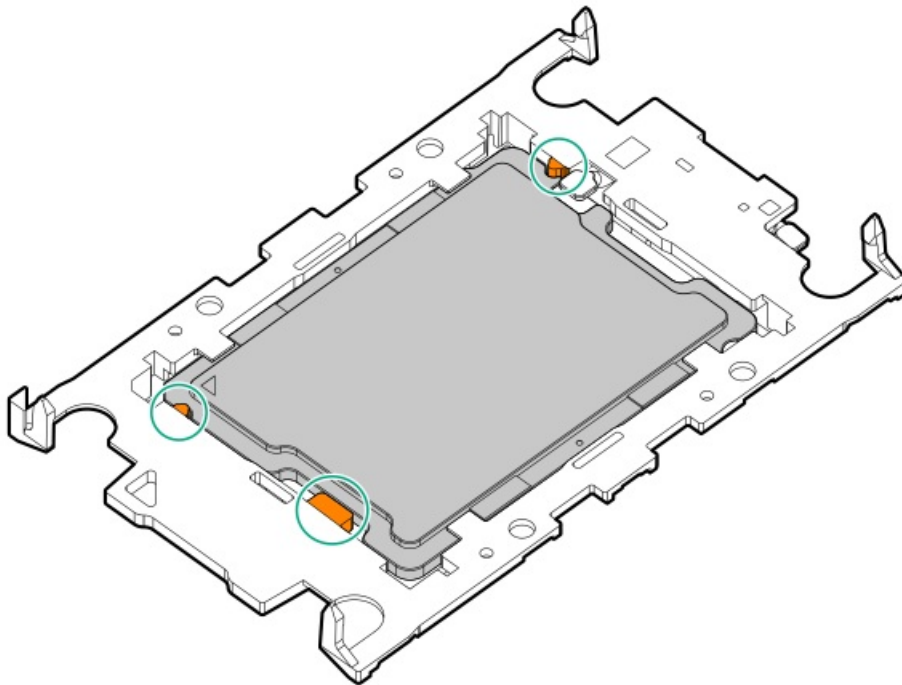


2. Install the processor carrier on the processor:

- a. Align the pin 1 indicator on the processor carrier with that on the processor, and then press on the pair of opposite sides on the TIM breaker lever of the processor carrier until it clicks into place.

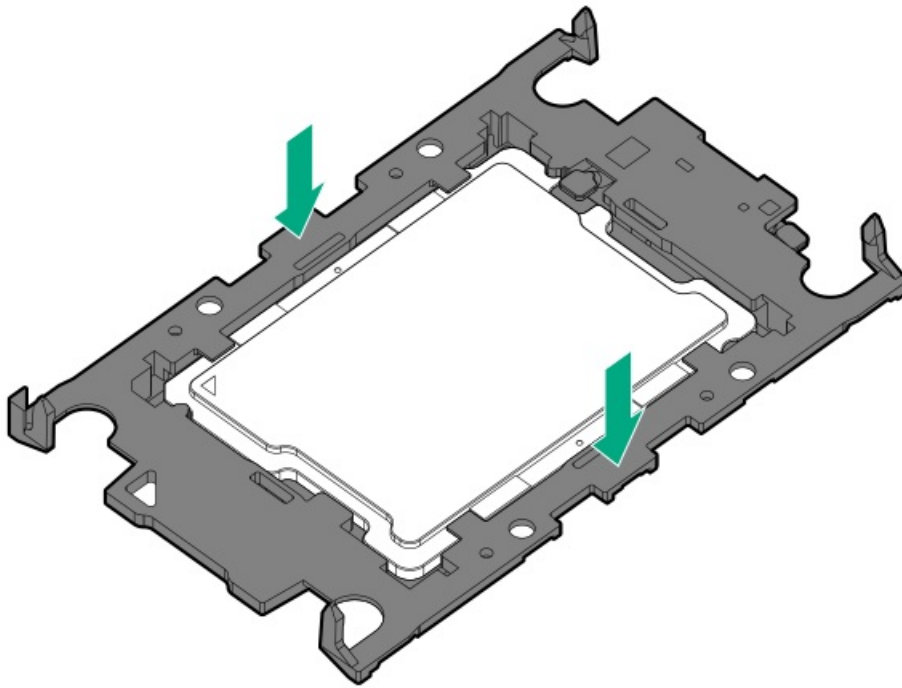


b. Verify that the processor is properly latched on the processor carrier.



If not, press the other pair of opposite sides of the processor carrier until it clicks into place.



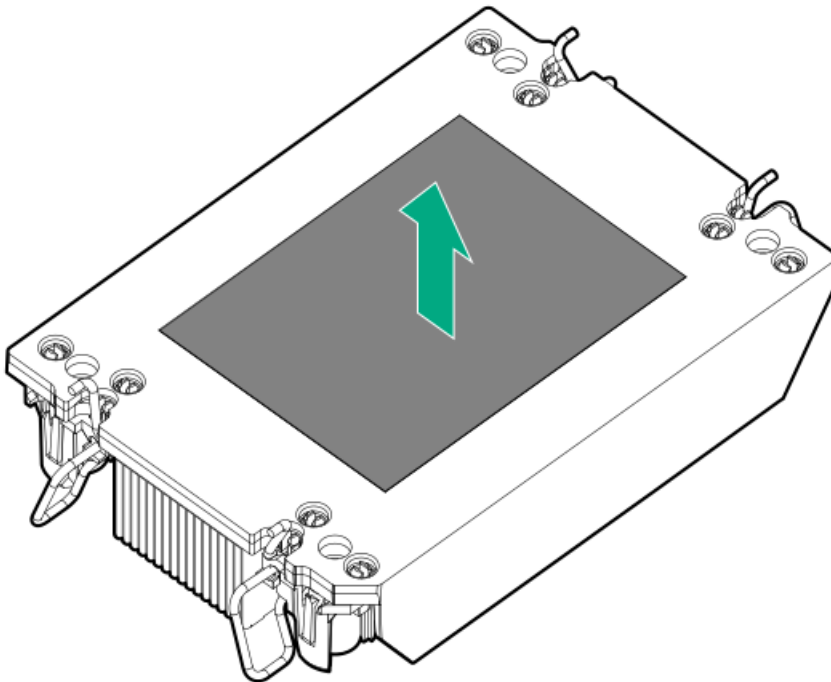


3. Remove the protective film from the thermal interface material.

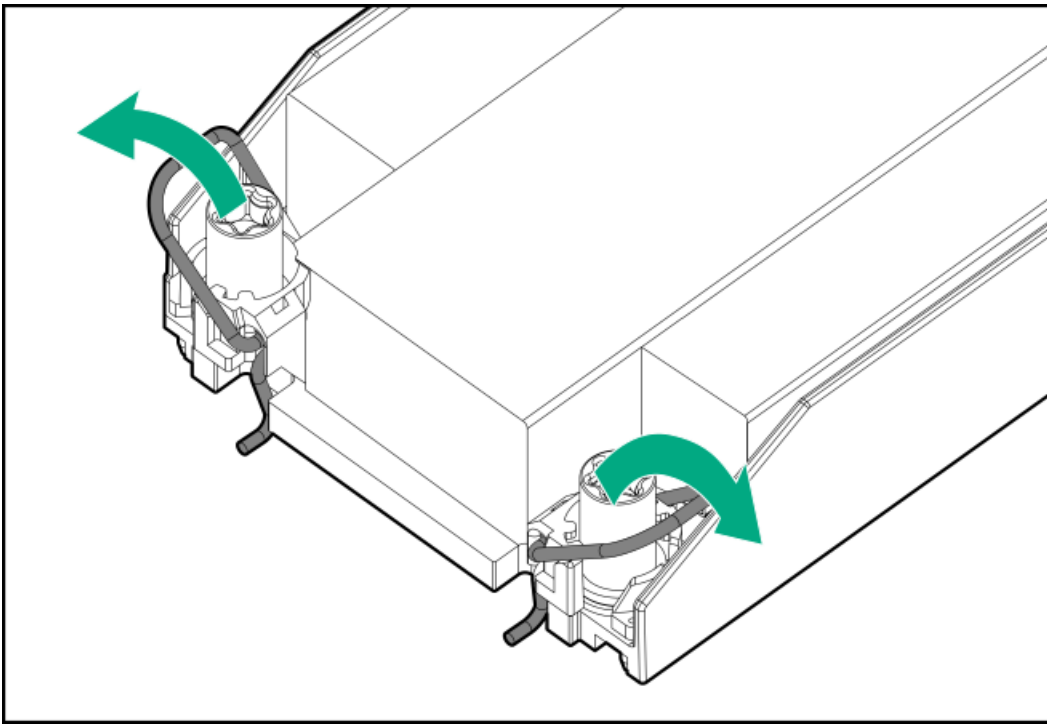


**CAUTION**

To prevent mechanical damage or depositing oil on your hands or other contaminants to the heatsink contact surface, hold the heatsink only by the edge of its base plate. Do not touch the heatsink fins.

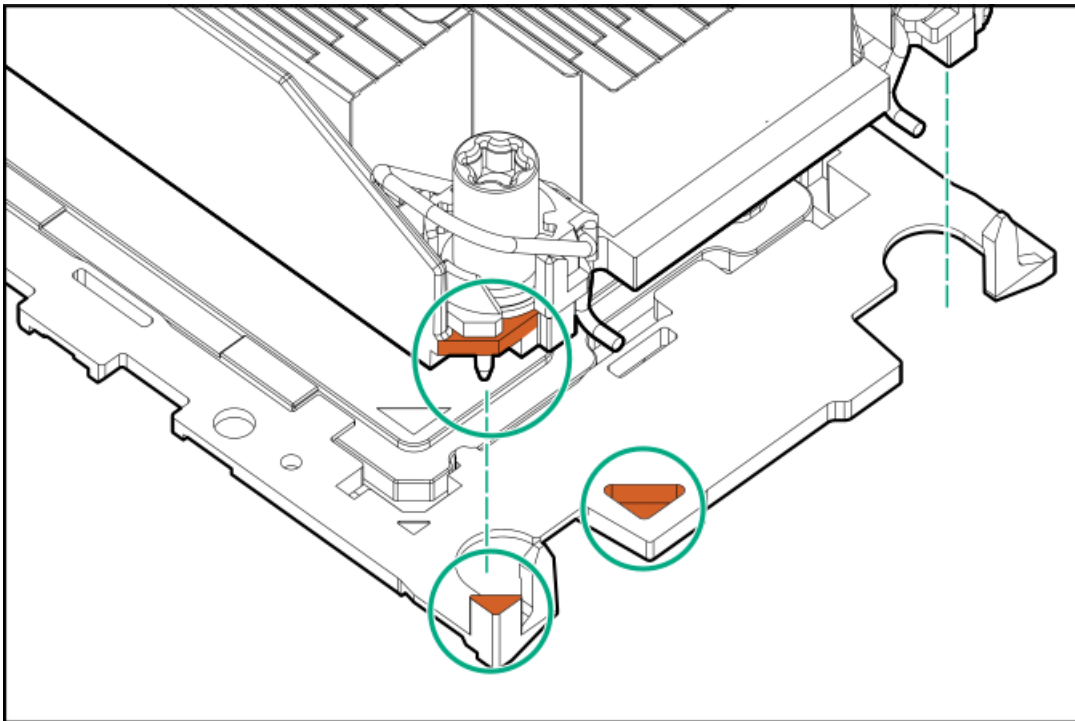


4. Set the anti-tilt wires to the locked position.



5. Attach the heatsink to the processor carrier:

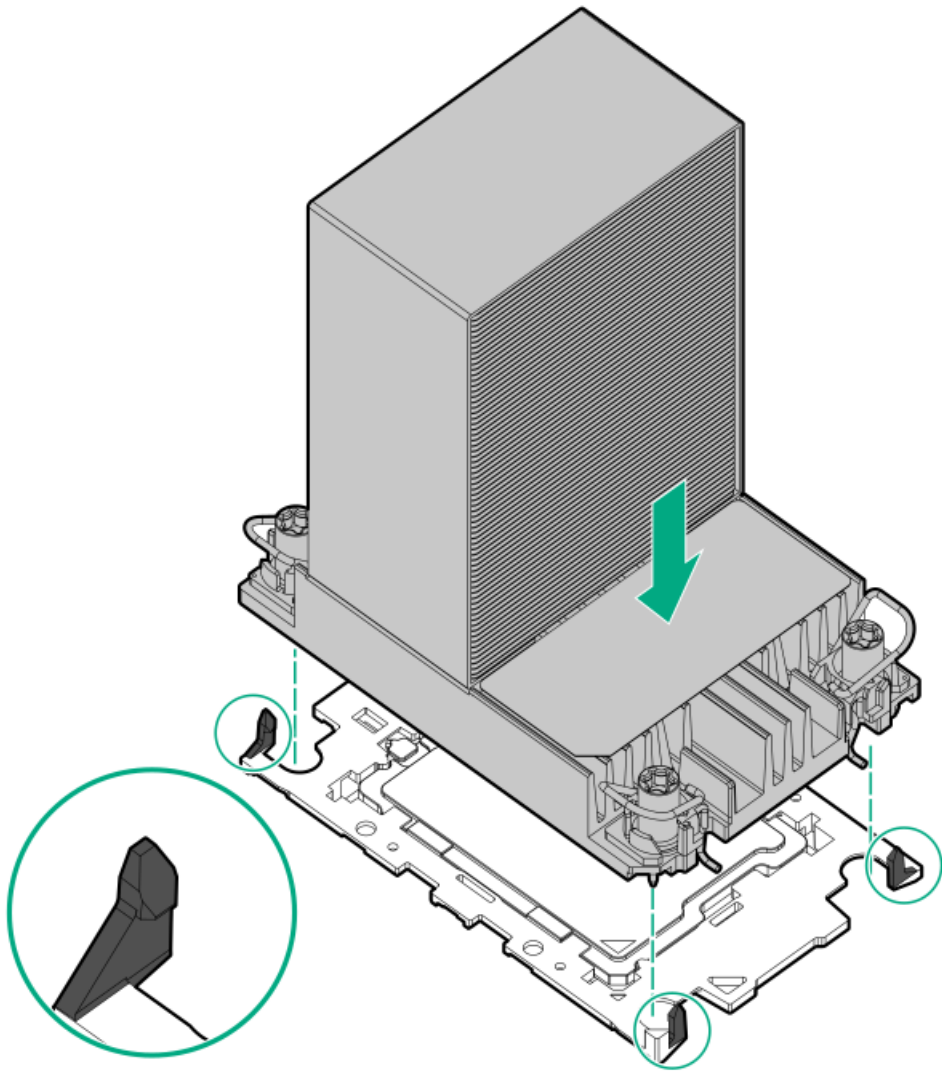
- a. Align the pin 1 indicator on the processor carrier with that on the heatsink.



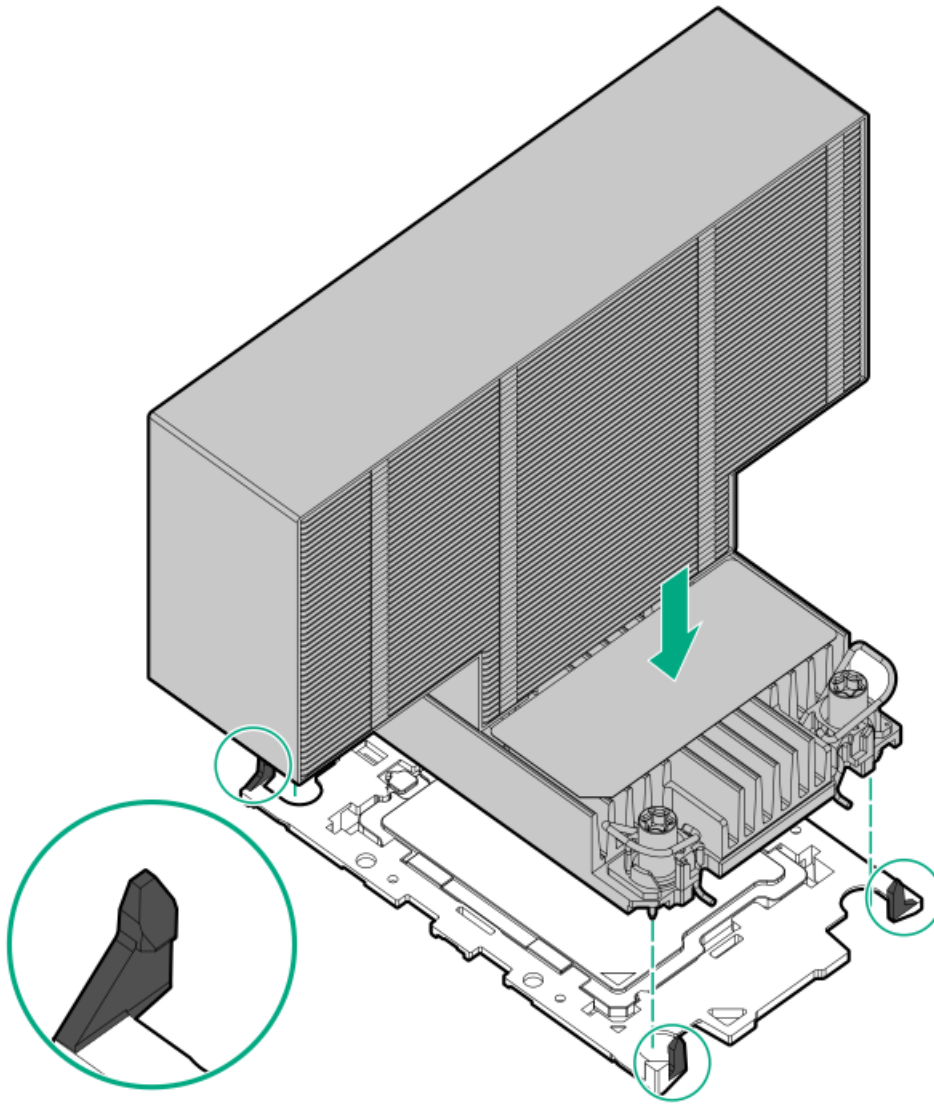
- b. Lower the heatsink on the processor carrier until the carrier tabs snap into place.

There will be an audible click to indicate that the heatsink is properly latched on the processor carrier.

- Standard heatsink



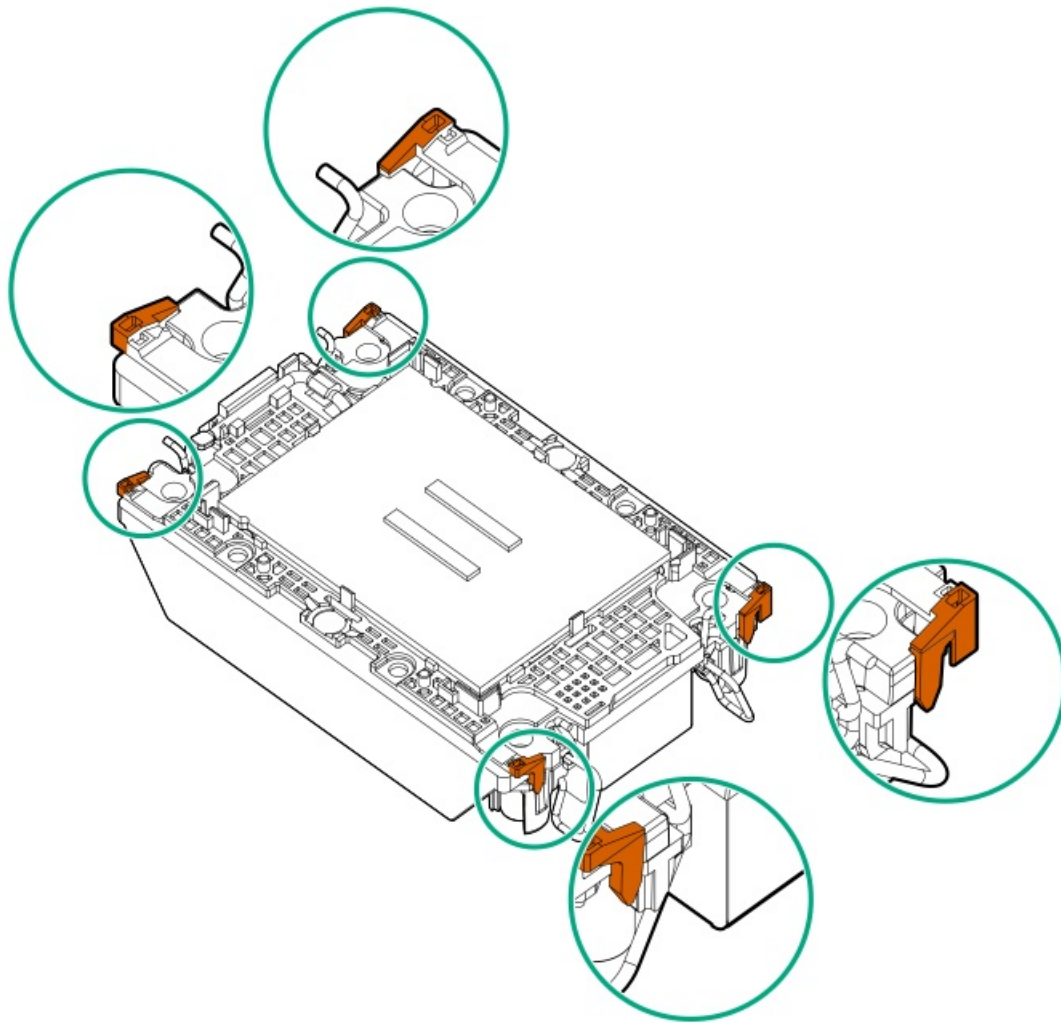
- Performance heatsink



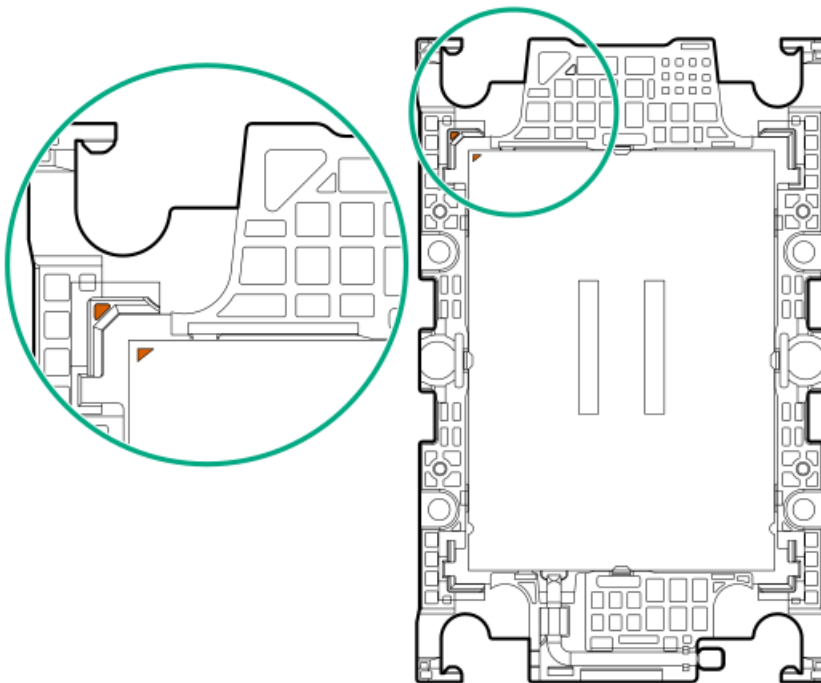
6. Perform the following verification steps:

- a. Verify that the tabs on the processor carrier are securely latched on the heatsink.



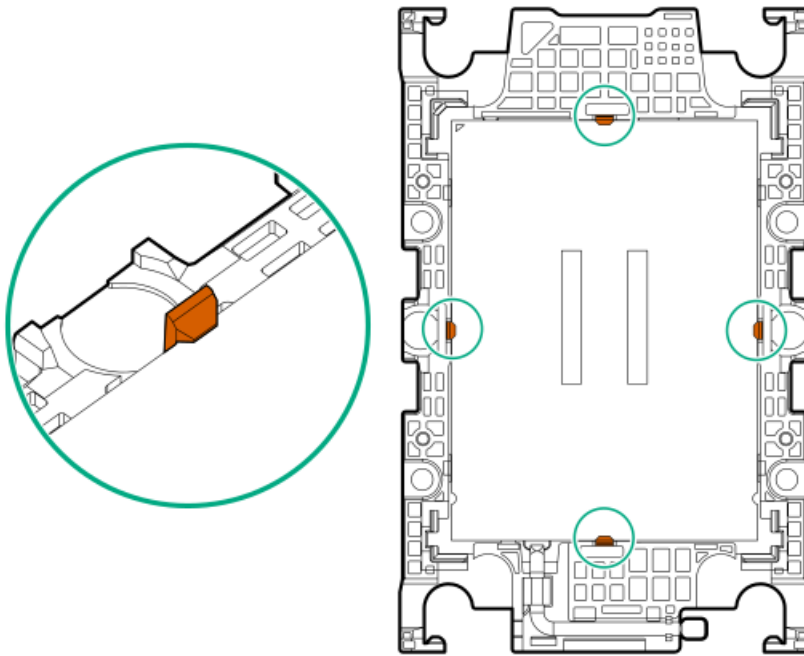


b. Verify that the pin 1 indicators on the processor and processor carrier are aligned.



c. Verify that the processor is properly secured by the carrier snaps.





7.



#### CAUTION

To prevent thermal failure or component damage, do not move the heatsink once the bottom of its base plate touches the top of the processor. Excessive heatsink movement can cause the thermal grease to smear and become uneven. Voids in the compound can adversely impact the transfer of heat away from the processor.

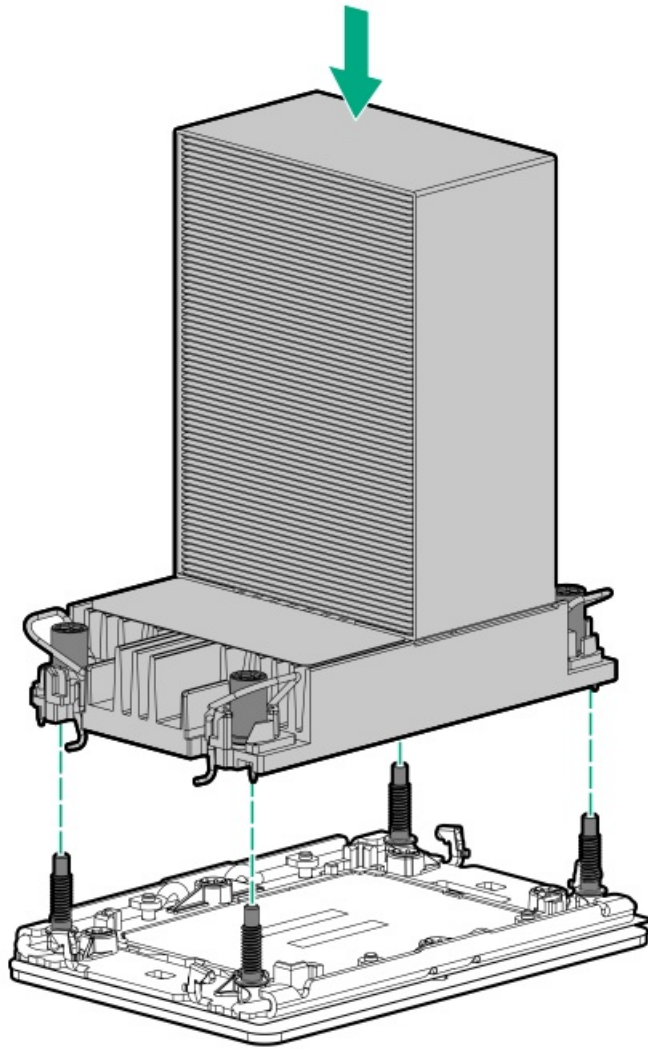
Install the processor-heatsink module:

- a. When using a torque wrench to tighten the heatsink screws, set 0.9 N-m (8 in-lb) of torque .
- b. Note the **Front of server** text on the heatsink label to correctly orient the processor-heatsink module over the bolster plate.
- c. Carefully lower the processor-heatsink module straight down onto the bolster plate guide posts.

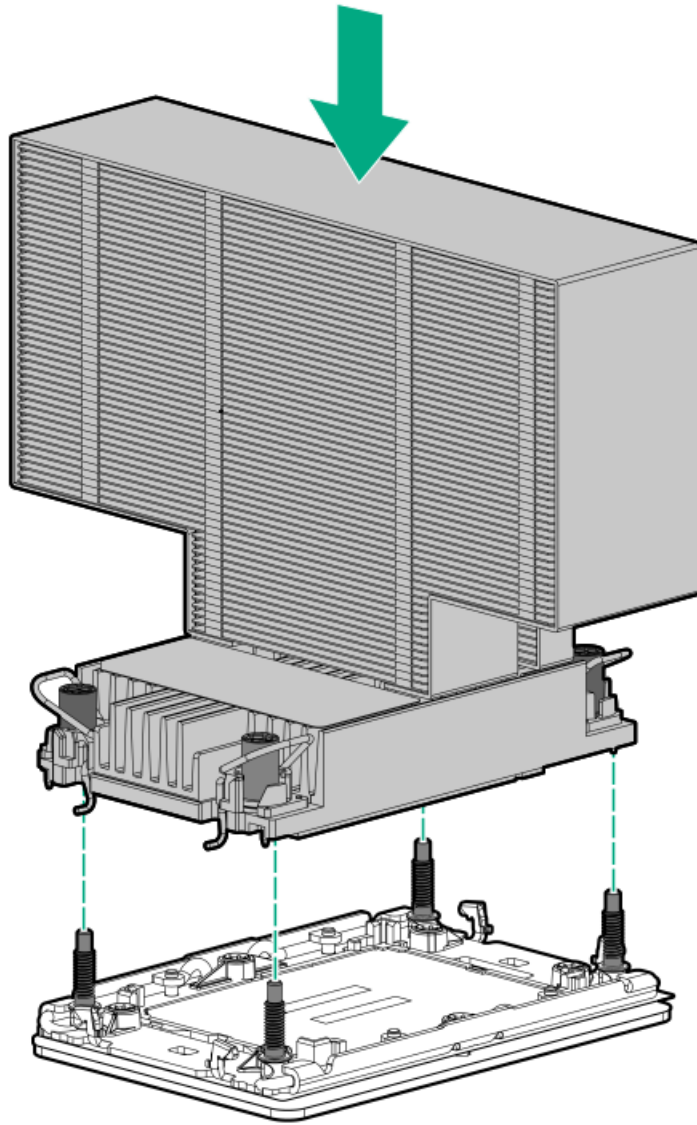
The posts are keyed so that the module can only be installed one way. Make sure that the module is properly seated on the bolster plate before securing the screws.

- Standard heatsink

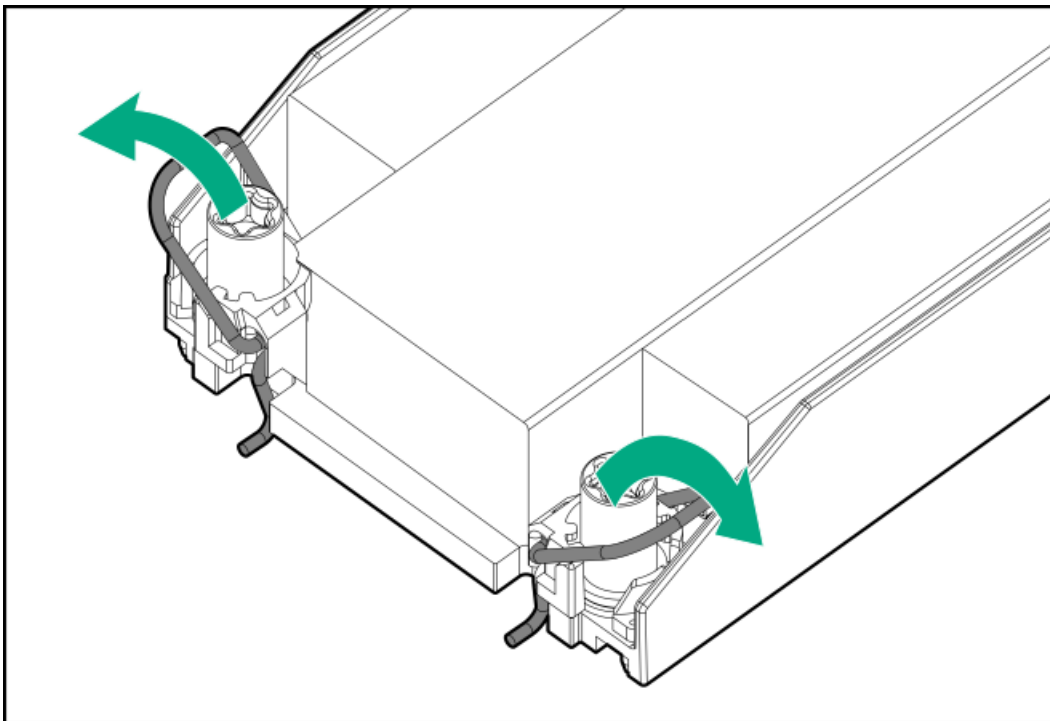




- Performance heatsink

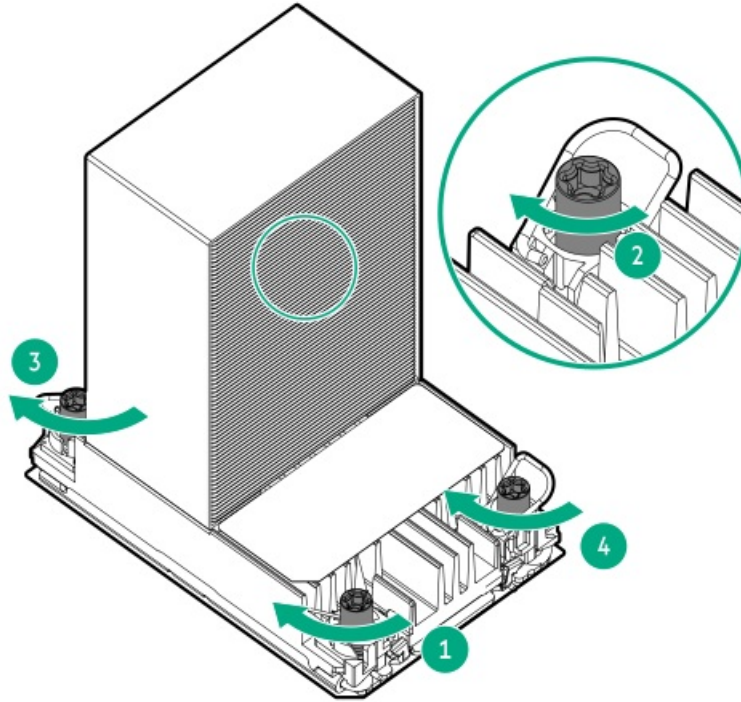


d. Set the anti-tilt wires to the locked position.

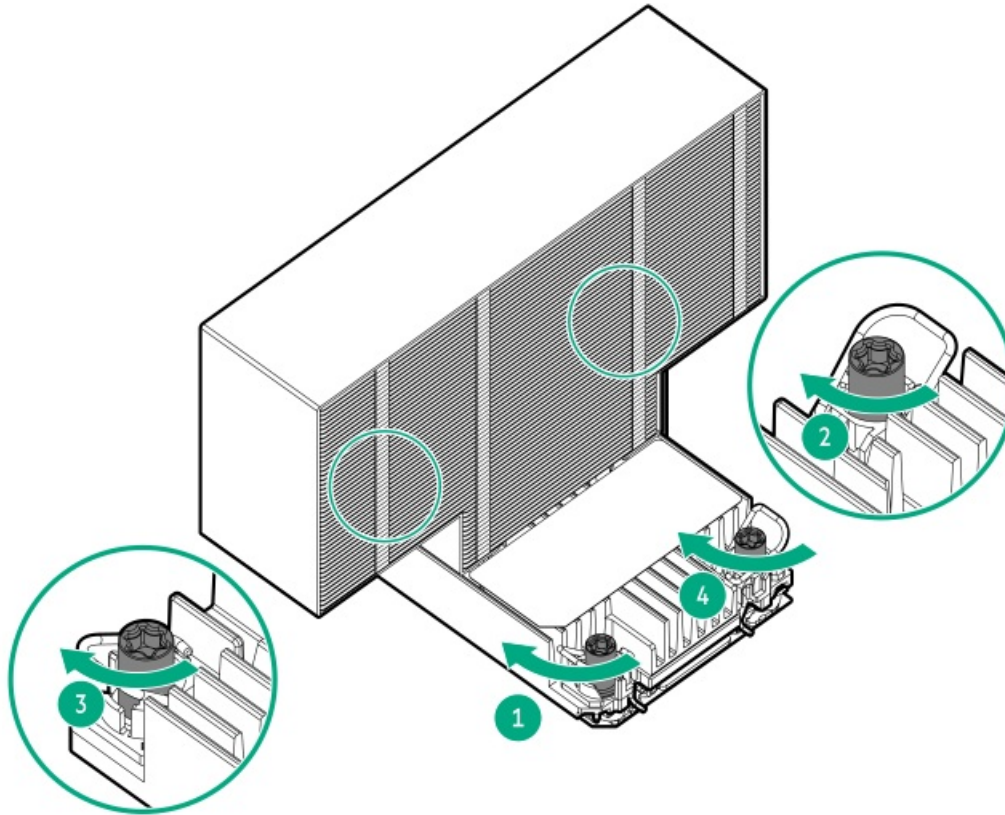


e. Tighten one pair of diagonally opposite heatsink screws, and then tighten the other pair of heatsink screws.

- Standard heatsink



- Performance heatsink



8. Install the fan cage.

9. Install the access panel.

10. Lock the front bezel.

11. Do one of the following:
  - Orient the server back in tower mode.
  - Install the server into the rack.
12. Connect all peripheral cables to the server.
13. Connect each power cord to the server.
14. Connect each power cord to the power source.
15. Power up the server.
16. Reconfigure the date and time settings.

## Results

The replacement procedure is complete.

## Processor replacement

### Subtopics

Processor cautions

Removing the processor

Installing the processor

Reconfiguring the system date and time settings

## Processor cautions



### CAUTION

To avoid damage to the processor or system board, only authorized personnel should attempt to replace or install the processor in this server.



### CAUTION

To prevent possible server malfunction and damage to the equipment, multiprocessor configurations must contain processors with the same part number.



### CAUTION

The pins on the processor socket and on the processor are very fragile and easily damaged . To avoid component damage, **do not touch these pins**. Any damage to them might require replacing the system board and/or processor.



### IMPORTANT

Processor socket 1 must be populated at all times or the server does not function.



### IMPORTANT

If installing a processor with a faster speed, update the system ROM before installing the processor. To download firmware, see Updating firmware or system ROM.



### IMPORTANT

After removing a processor from the system board, the server resets the date and time. For information on reconfiguring these settings, see [Reconfiguring the system date and time settings](#).

## Removing the processor

### Prerequisites

- [Identify the heatsink and processor socket components](#).
- [Review the processor cautions](#).
- Before you perform this procedure, make sure that you have the following items available:
  - T-30 Torx screwdriver
  - Alcohol wipe
- If you are not immediately installing the replacement processor-heatsink assembly, make sure that you have a processor socket dust cover.

### About this task



#### WARNING

To reduce the risk of personal injury from hot surfaces, allow the drives and the internal system components to cool before touching them.



#### CAUTION

A discharge of static electricity from a finger or other conductor might damage system boards or other static-sensitive devices. To prevent damage, observe [antistatic precautions](#).

### Procedure

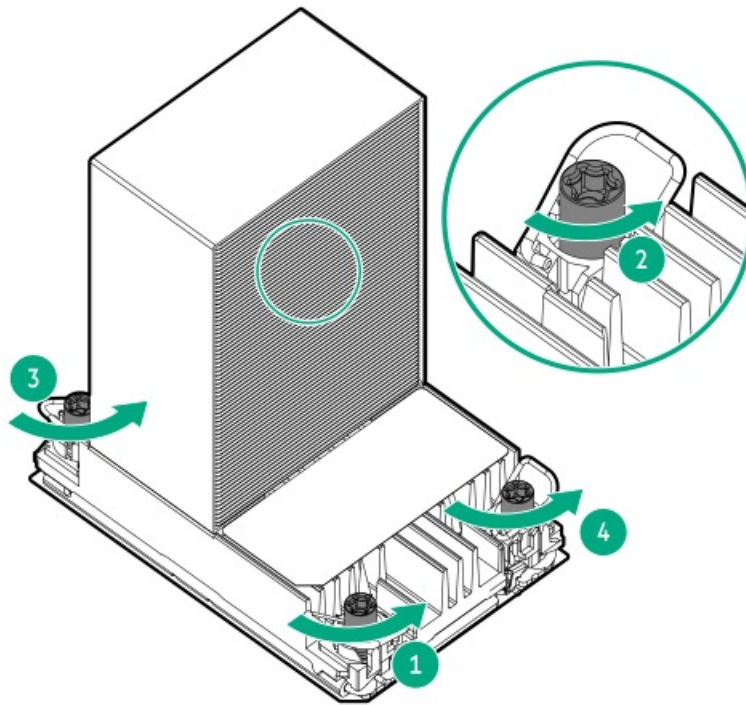
1. [Power down the server](#).
2. Remove all power:
  - a. Disconnect each power cord from the power source.
  - b. Disconnect each power cord from the server.
3. Disconnect all peripheral cables from the server.
4. Do one of the following:
  - If the server is in tower mode, [place the server on a flat, level surface with the access panel facing up](#).
  - If the server is in rack mode, [remove the server from the rack](#).
5. Unlock the front bezel.
6. [Remove the access panel](#).
7. [Remove the fan cage](#).
8. Allow all internal system components to cool before continuing.
9. Loosen one pair of diagonally opposite screws, and then loosen the other pair of screws.



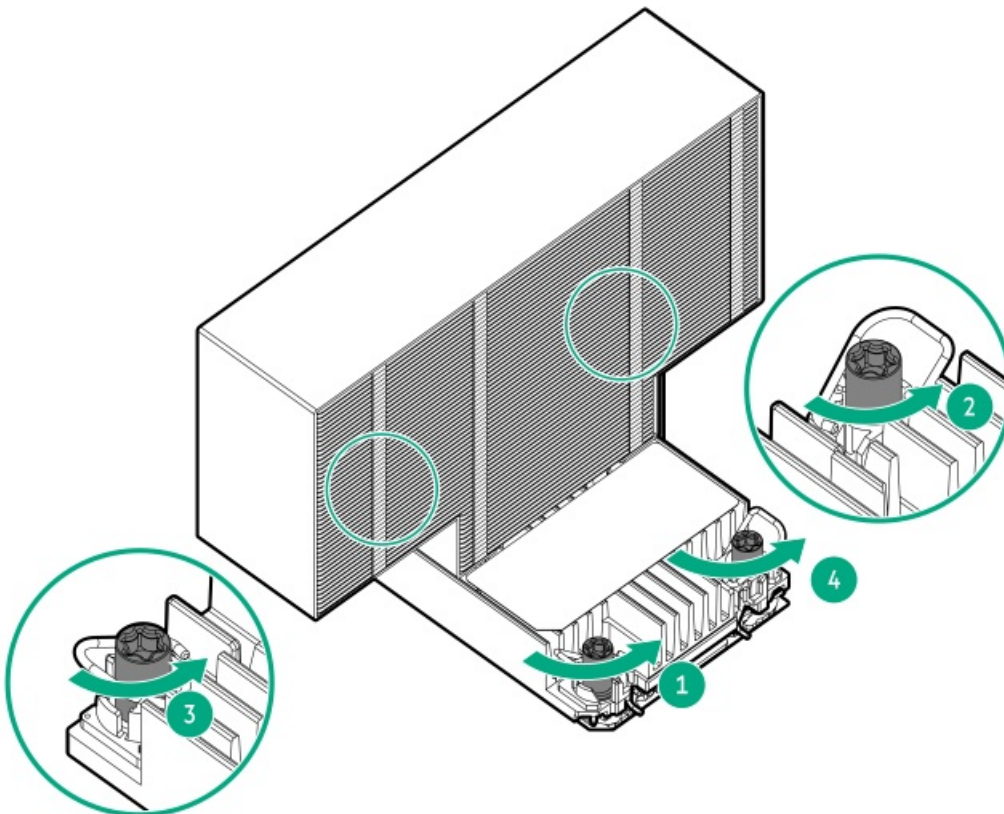
**CAUTION**

Heatsink screws must be tightened and loosened in alternating sequence. Do not overtighten the screws as this might damage the system board or the processor socket.

- Standard heatsink



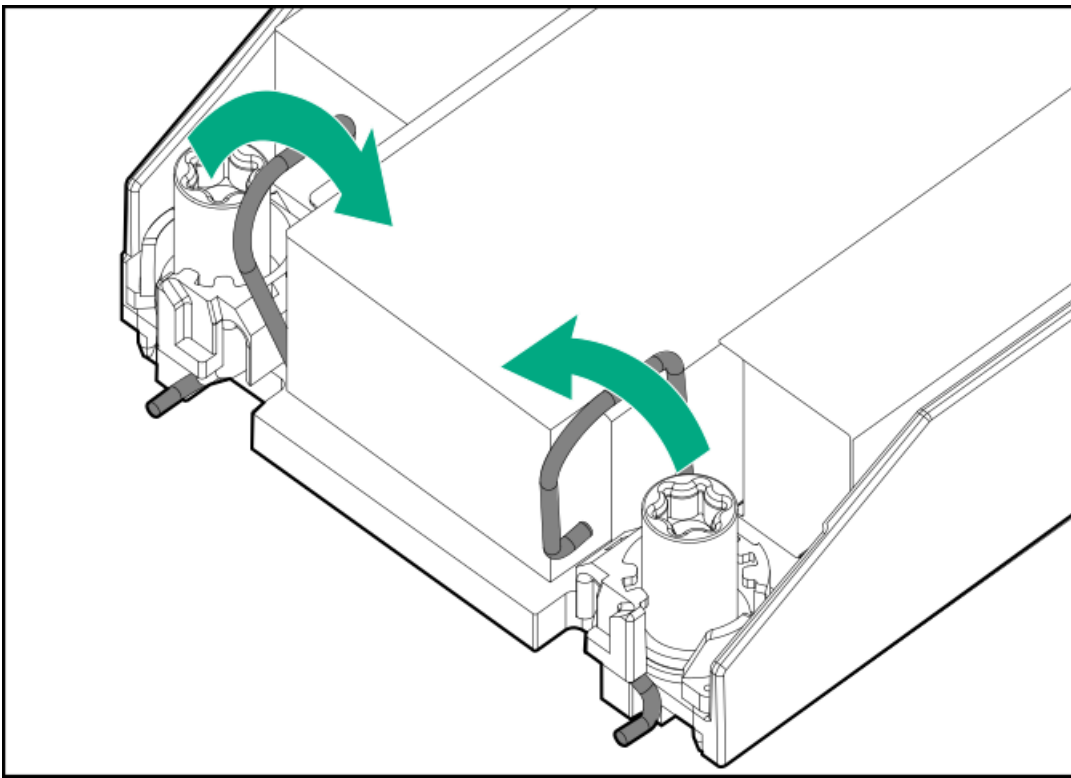
- Performance heatsink



10. Set the anti-tilt wires to the unlocked position.







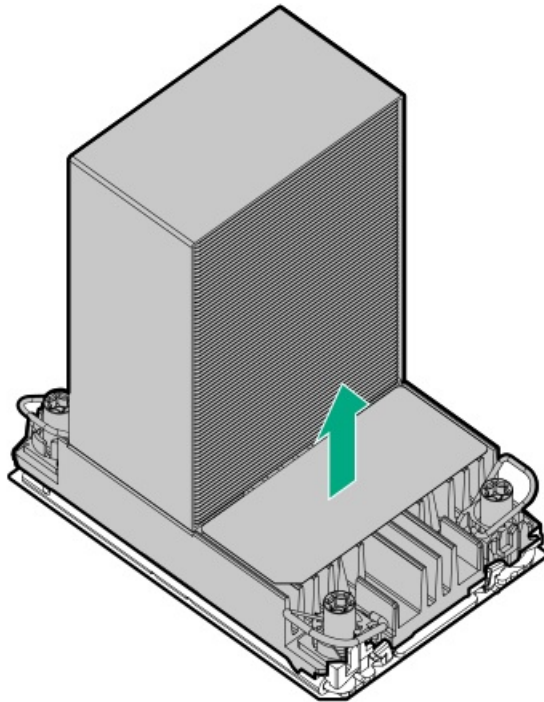
11. Lift the processor-heatsink module straight up from the system board.



**CAUTION**

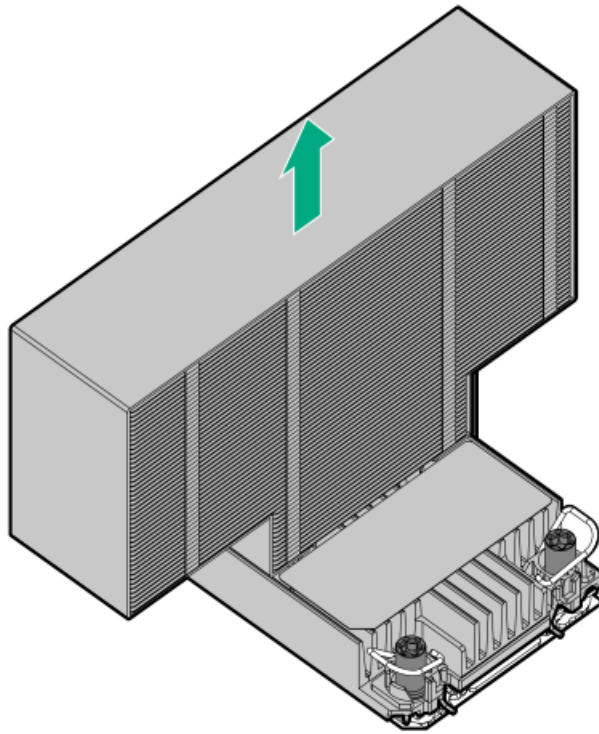
To prevent mechanical damage or depositing oil on your hands or other contaminants to the heatsink contact surface, hold the heatsink only by the edge of its base plate. Do not touch the heatsink fins.

- Standard heatsink

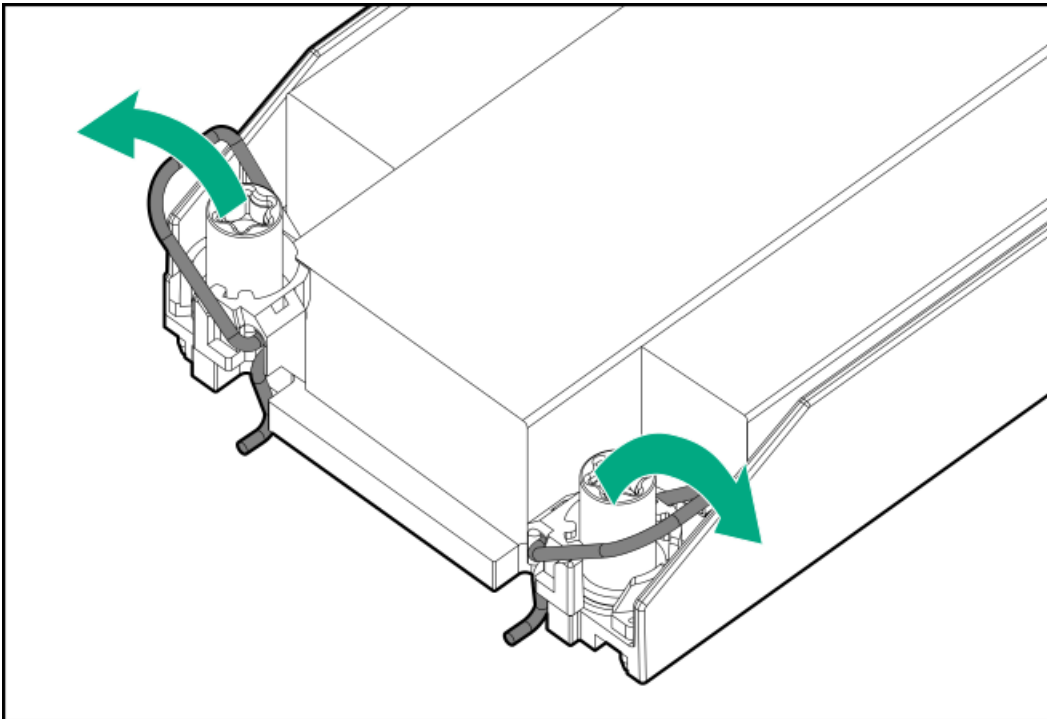


- Performance heatsink





12. Set the anti-tilt wires to the locked position.



13. Place the processor-heat sink module on a flat work surface with its contact side facing up.
14. If you are not immediately installing the replacement processor-heat sink module, install the dust cover on the empty processor socket:



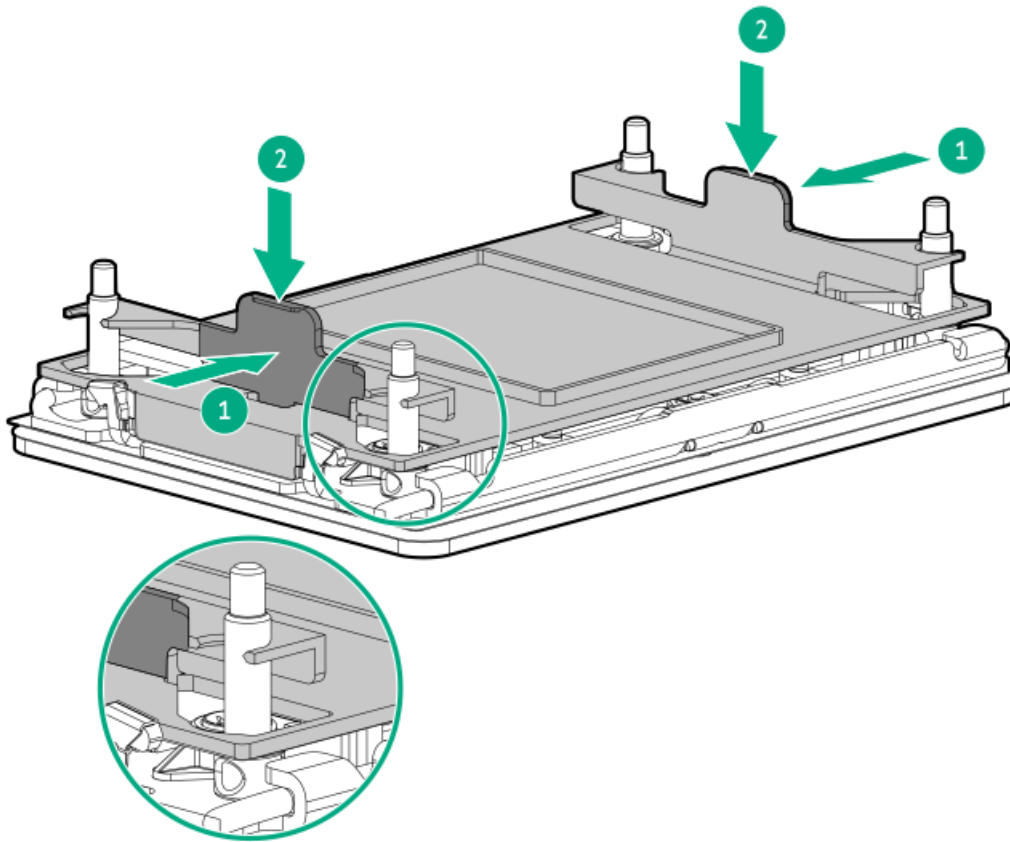
**CAUTION**

Do not press down on the dust cover. Pressing down on the dust cover might damage the processor socket.



- a. Press and hold the grip tabs on the dust cover.
- b. Carefully lower the dust cover onto the bolster plate guide posts.

Make sure that the corner holes of the dust cover are properly engaged with the guide posts on the bolster plate.

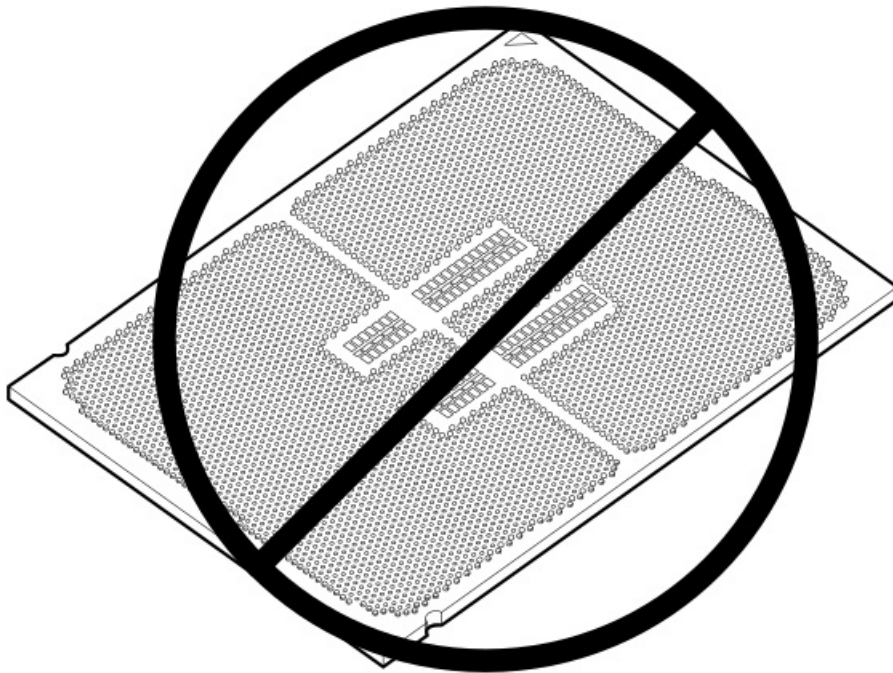
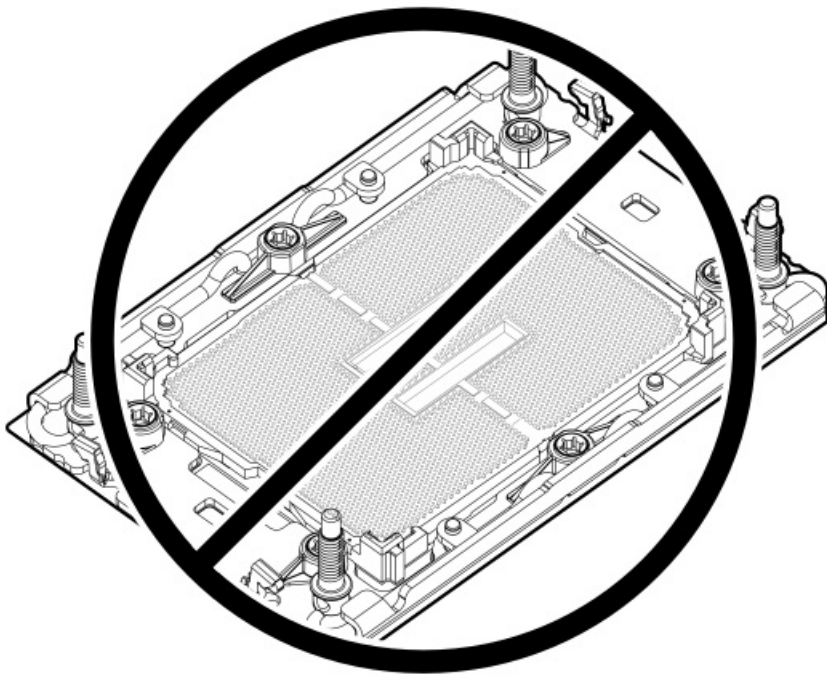


- 15. Do not touch the pins on the processor socket and the processor.



**CAUTION**

**THE PINS ON THE PROCESSOR SOCKET AND ON THE PROCESSOR ARE VERY FRAGILE AND EASILY DAMAGED.** Any damage to them might require replacing the system board.

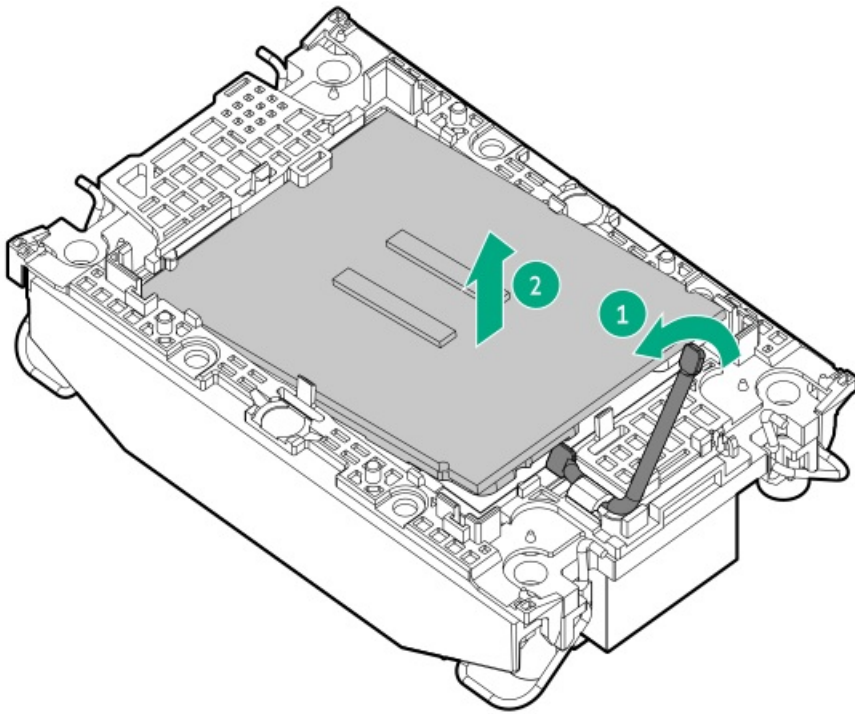


16. Remove the processor from the heatsink:

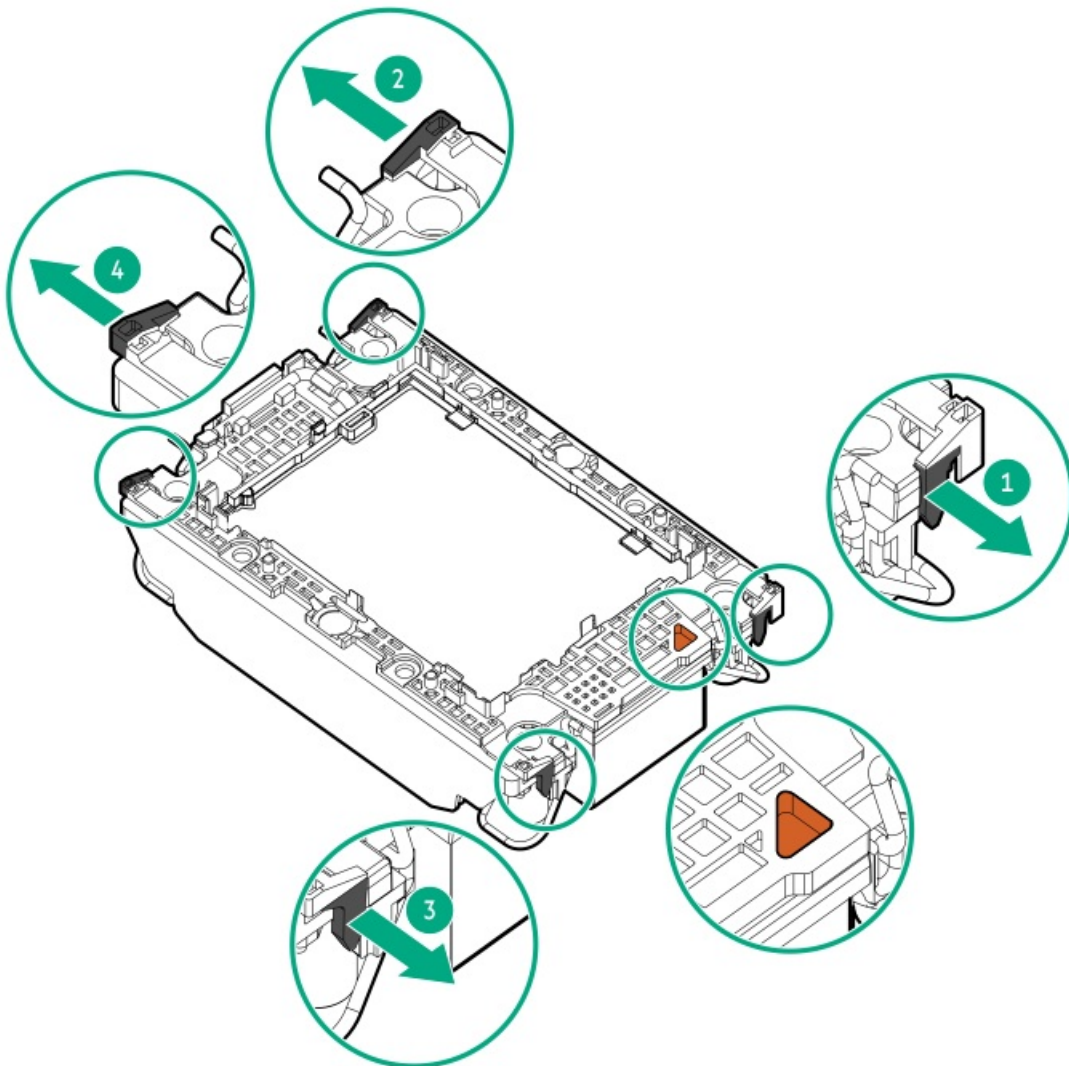
- a. Open the TIM breaker lever.

This action breaks the adhesion between the processor and the heatsink.

- b. Hold the processor on its edges, and then remove it from the carrier.

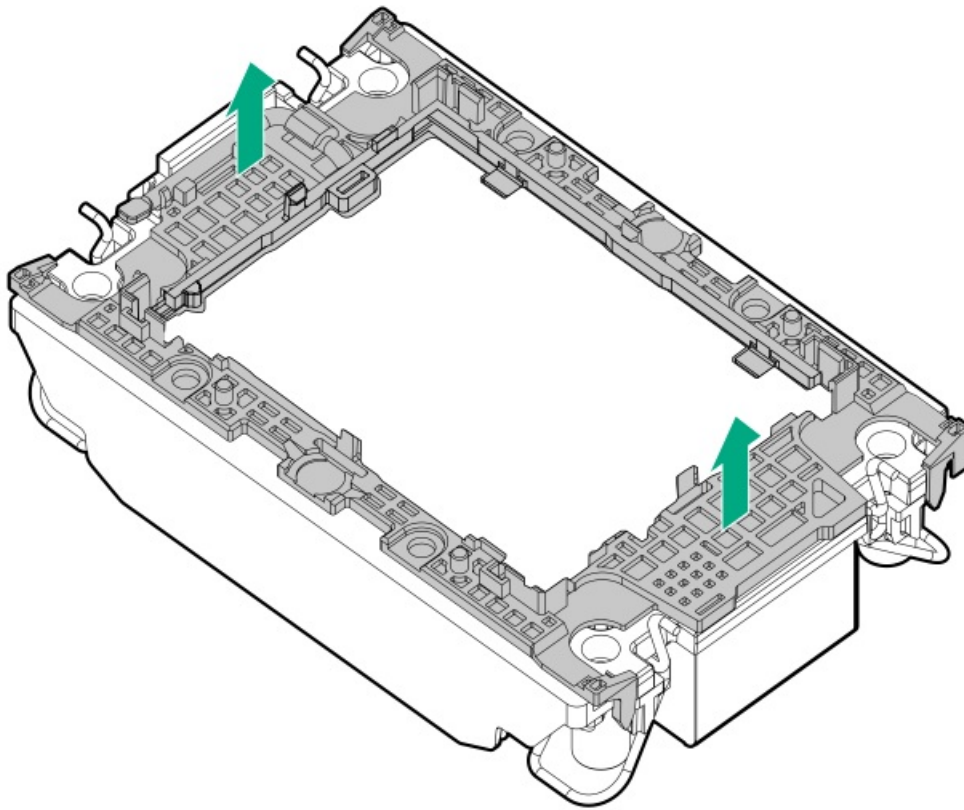


c. Starting from the pin 1 corner and moving in an opposite manner, disengage the processor carrier release tabs from the heatsink.



d. Lift the processor carrier away from the heatsink.





17. Use an alcohol wipe to remove the existing thermal grease from the heatsink and processor.  
Allow the alcohol to evaporate before continuing.

## Installing the processor

### Prerequisites

- [Identify the heatsink and processor socket components.](#)
- [Review the processor cautions.](#)
- Before you perform this procedure, make sure that you have the following items available:
  - Torque screwdriver with T-30 Torx bit
  - Two 1.0 gm (0.5 ml) of thermal grease

### About this task

Processors with TDP equal to or greater than 195 W require performance heatsinks.

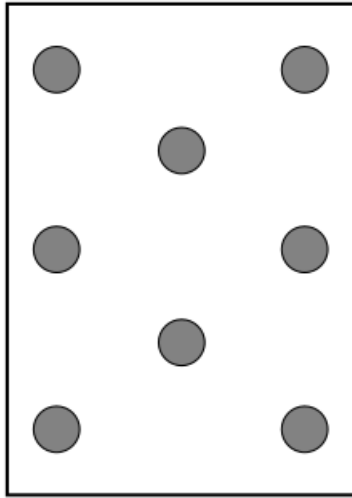


#### CAUTION

A discharge of static electricity from a finger or other conductor might damage system boards or other static-sensitive devices. To prevent damage, observe [antistatic precautions](#).

### Procedure

1. If you are using the same heatsink, apply the full content of the thermal grease syringes on top of the processor. Follow the pattern shown in the following image.

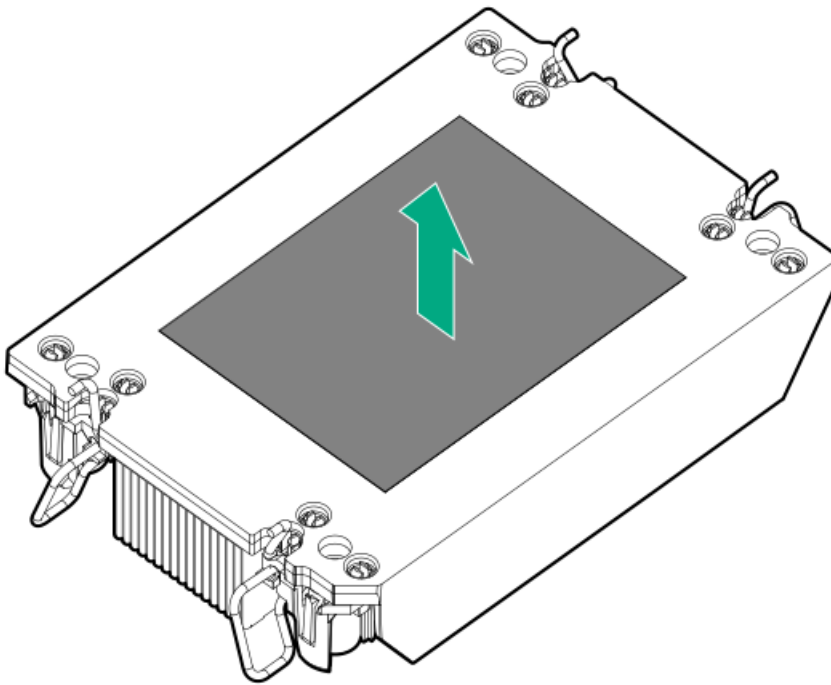


2. If you are using a new heatsink, remove the protective film from the thermal interface material.



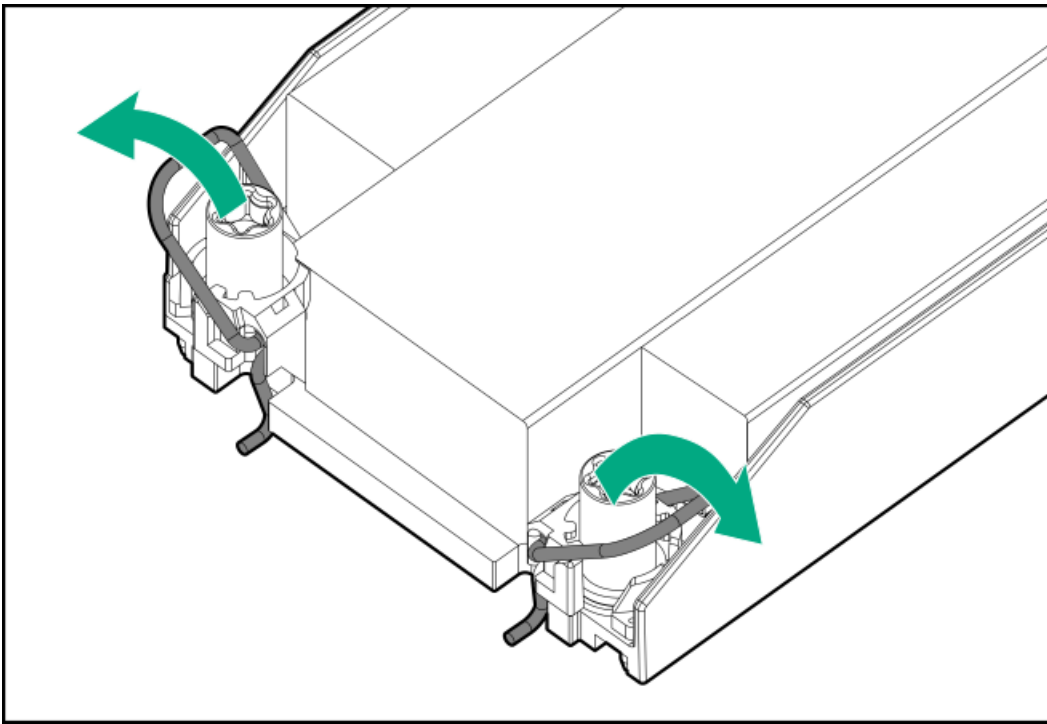
**CAUTION**

To prevent mechanical damage or depositing oil on your hands or other contaminants to the heatsink contact surface, hold the heatsink only by the edge of its base plate. Do not touch the heatsink fins.



3. Set the anti-tilt wires to the locked position.



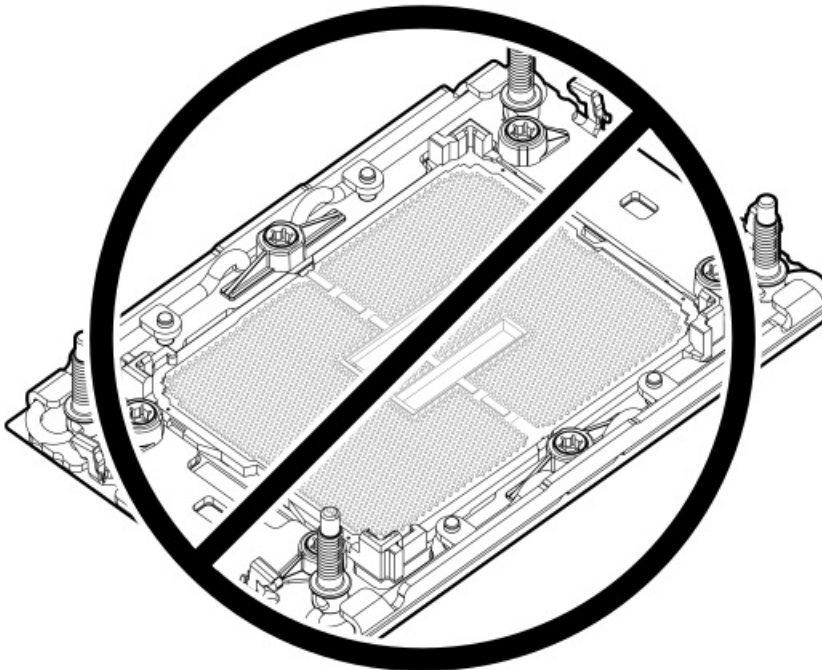


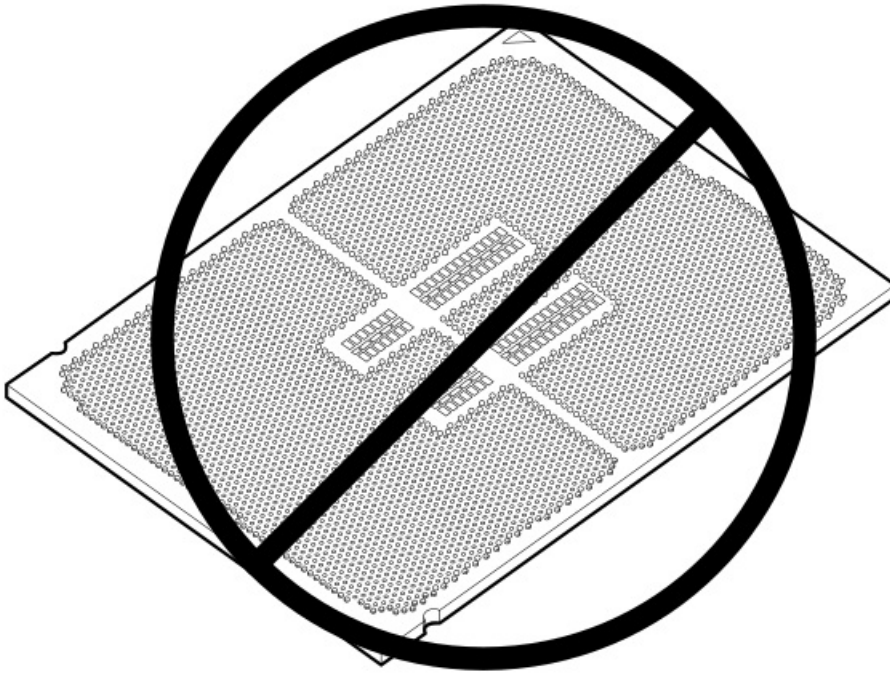
4. Do not touch the pins on the processor socket and the processor.



**CAUTION**

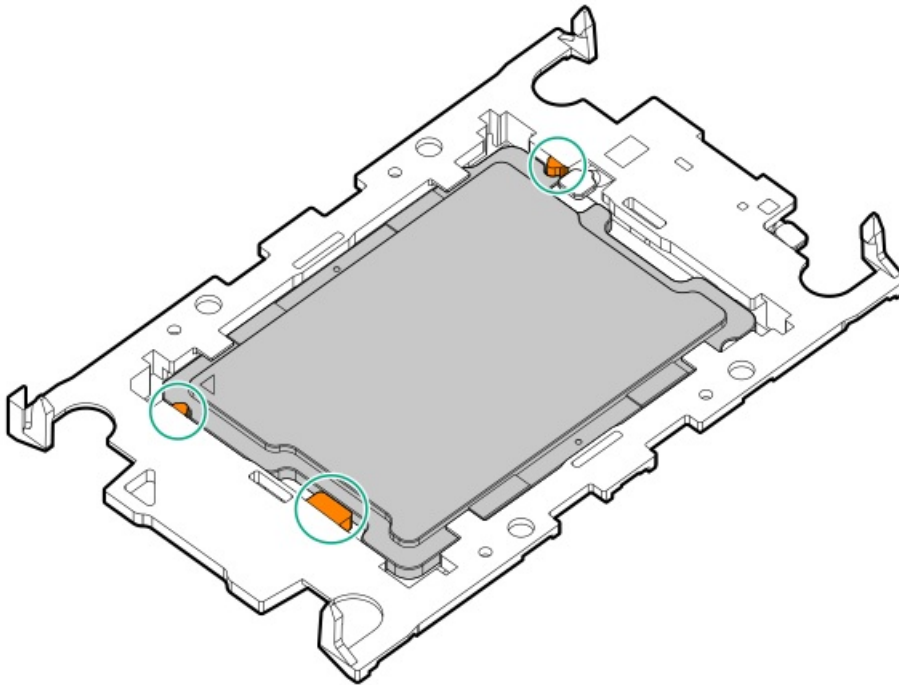
**THE PINS ON THE PROCESSOR SOCKET AND ON THE PROCESSOR ARE VERY FRAGILE AND EASILY DAMAGED.** Any damage to them might require replacing the system board.



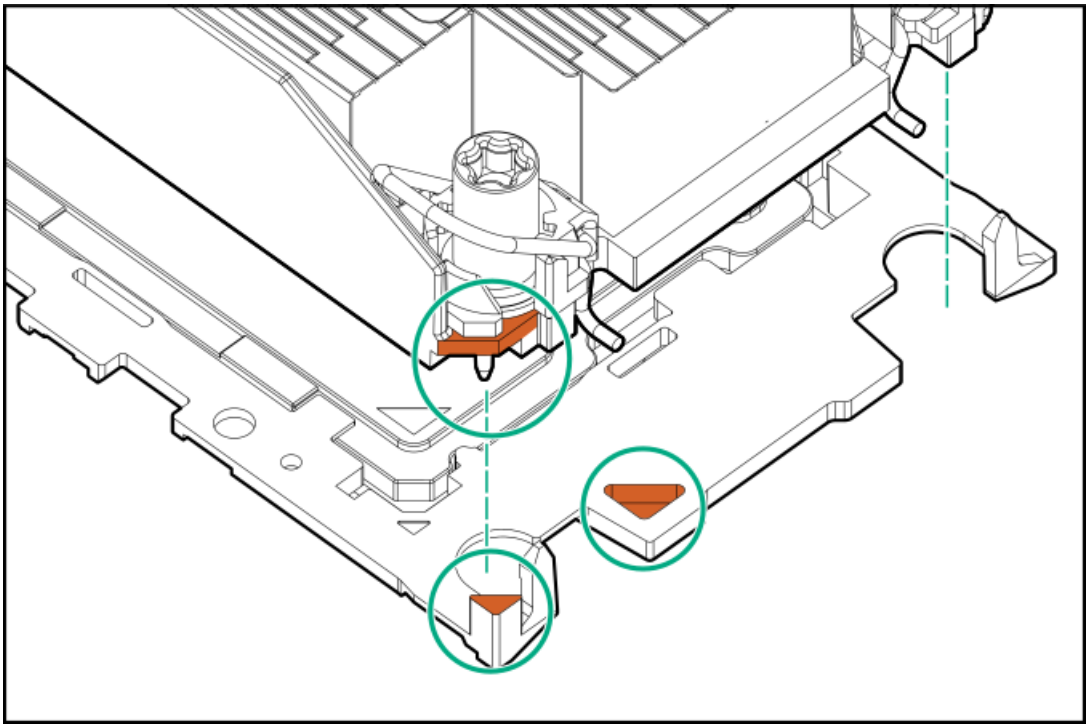


5. Verify that the processor is securely latched to the processor carrier.

The following illustration calls out the keying feature tabs that secure the processor. Different processor carriers will have these tabs in different locations.



6. Attach the heatsink to the processor carrier:
  - a. Align the pin 1 indicator on the processor carrier with that on the heatsink.

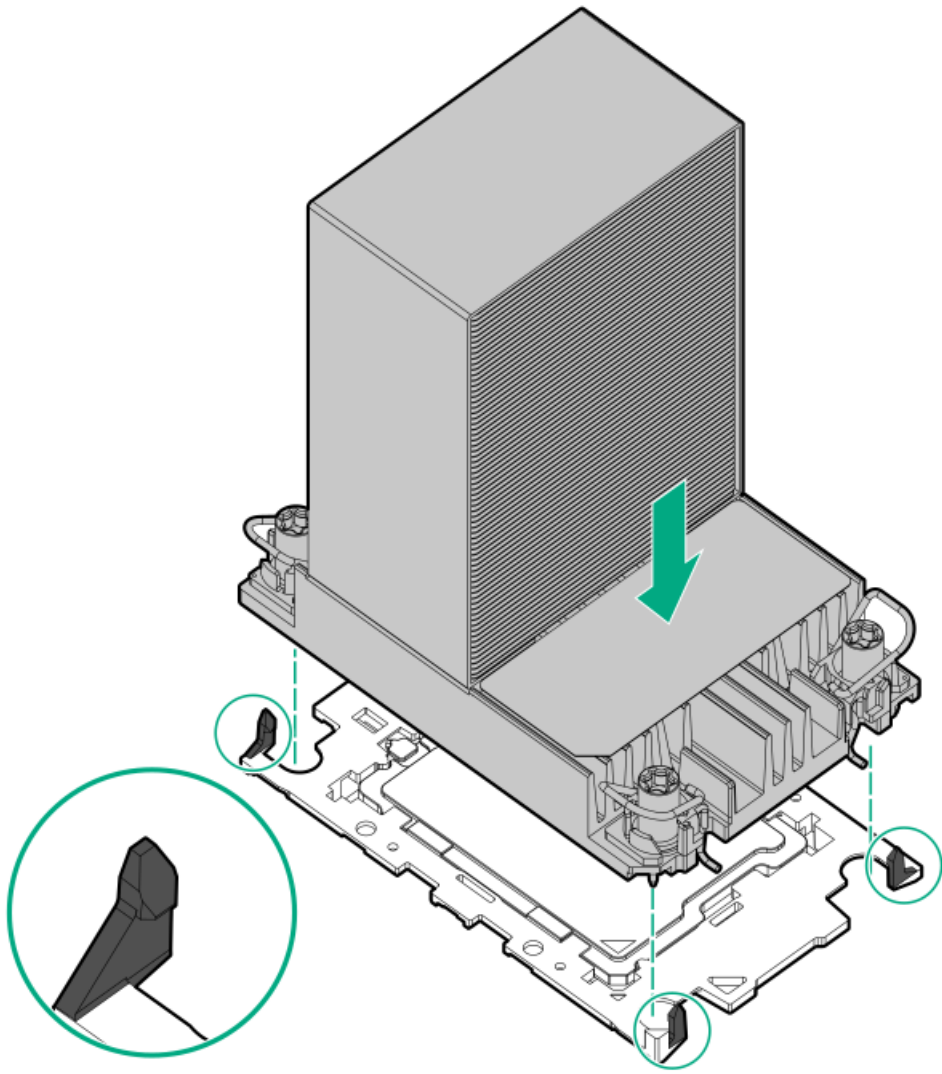


b. Lower the heatsink on the processor carrier until the carrier tabs snap into place.

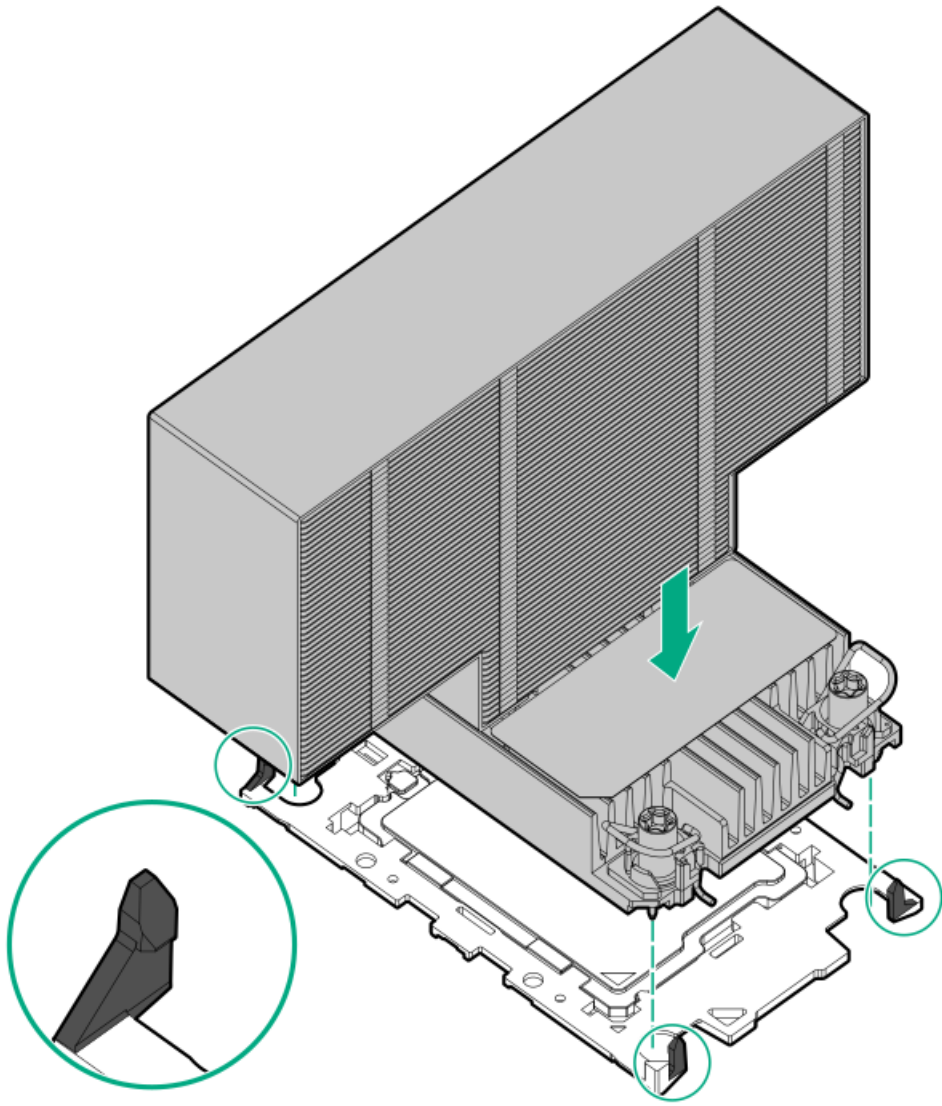
There will be an audible click to indicate that the heatsink is properly latched on the processor carrier.

- Standard heatsink



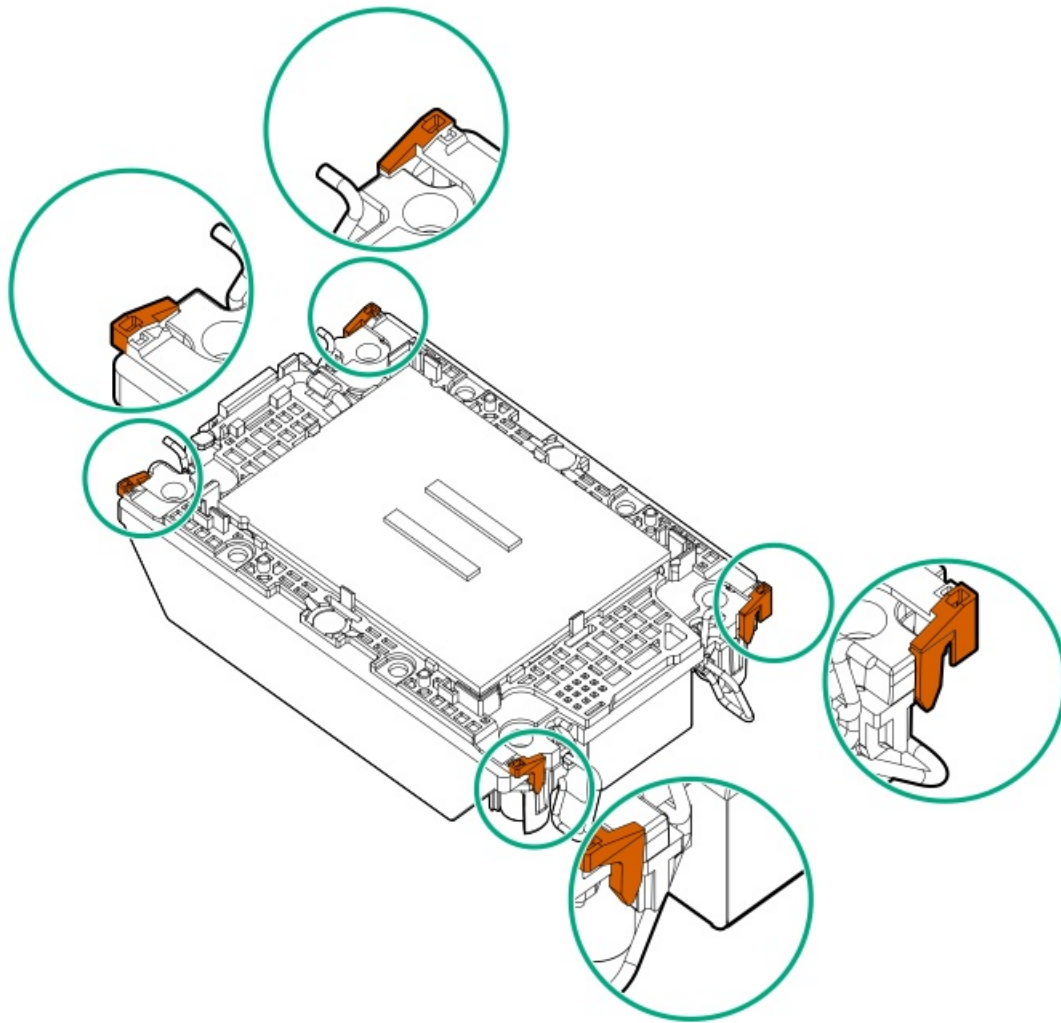


- Performance heatsink

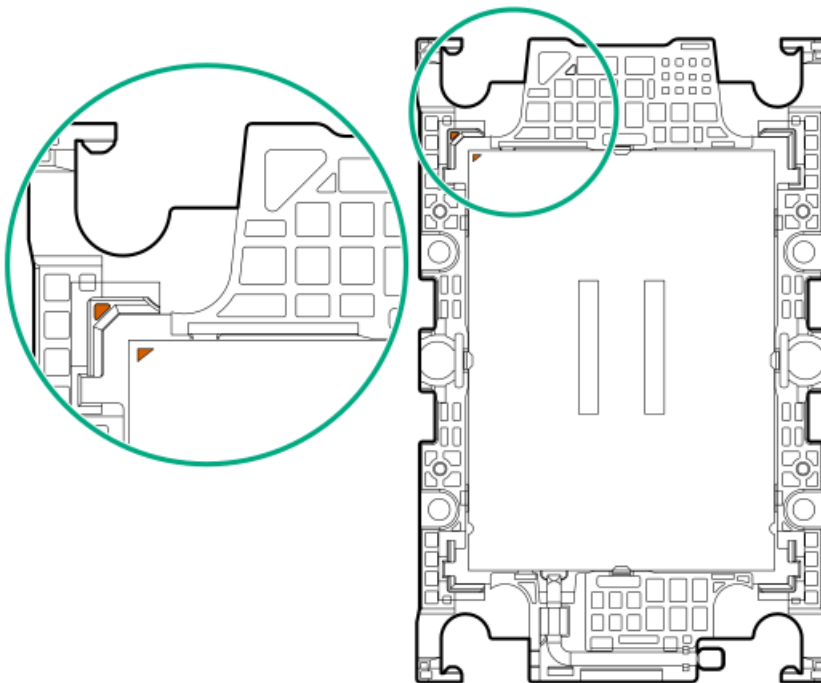


7. Perform the following verification steps:

- a. Verify that the tabs on the processor carrier are securely latched on the heatsink.

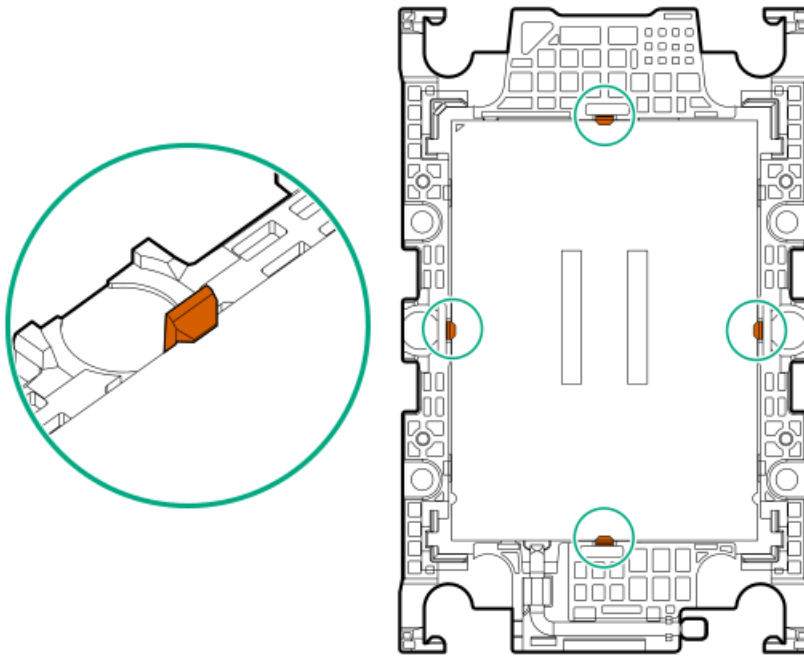


b. Verify that the pin 1 indicators on the processor and processor carrier are aligned.



c. Verify that the processor is properly secured by the carrier snaps.





8.



#### CAUTION

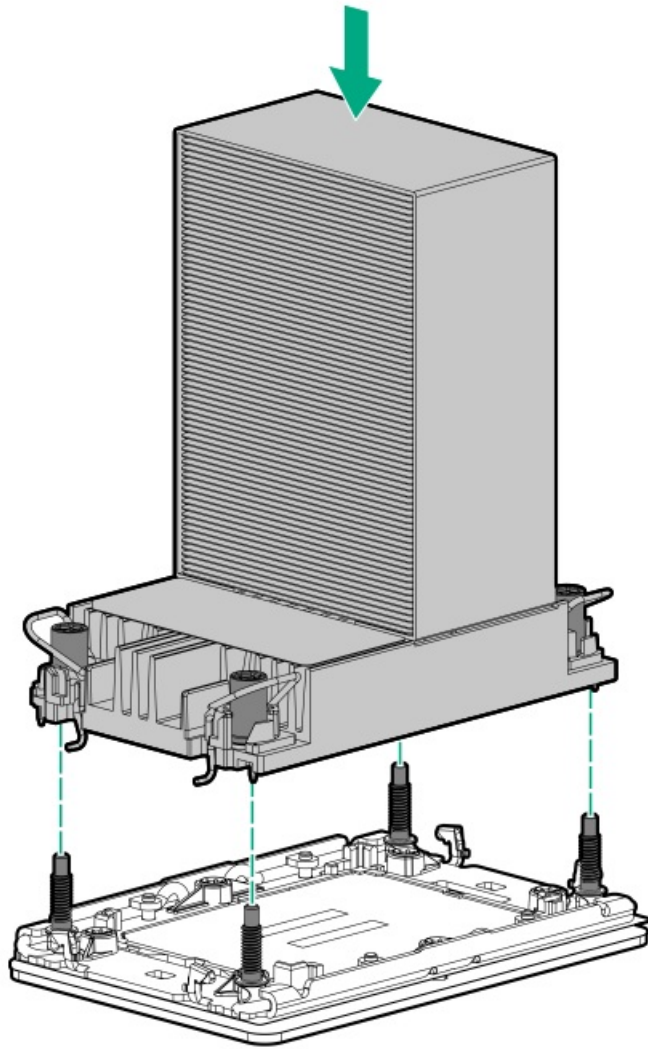
To prevent thermal failure or component damage, do not move the heatsink once the bottom of its base plate touches the top of the processor. Excessive heatsink movement can cause the thermal grease to smear and become uneven. Voids in the compound can adversely impact the transfer of heat away from the processor.

Install the processor-heatsink module:

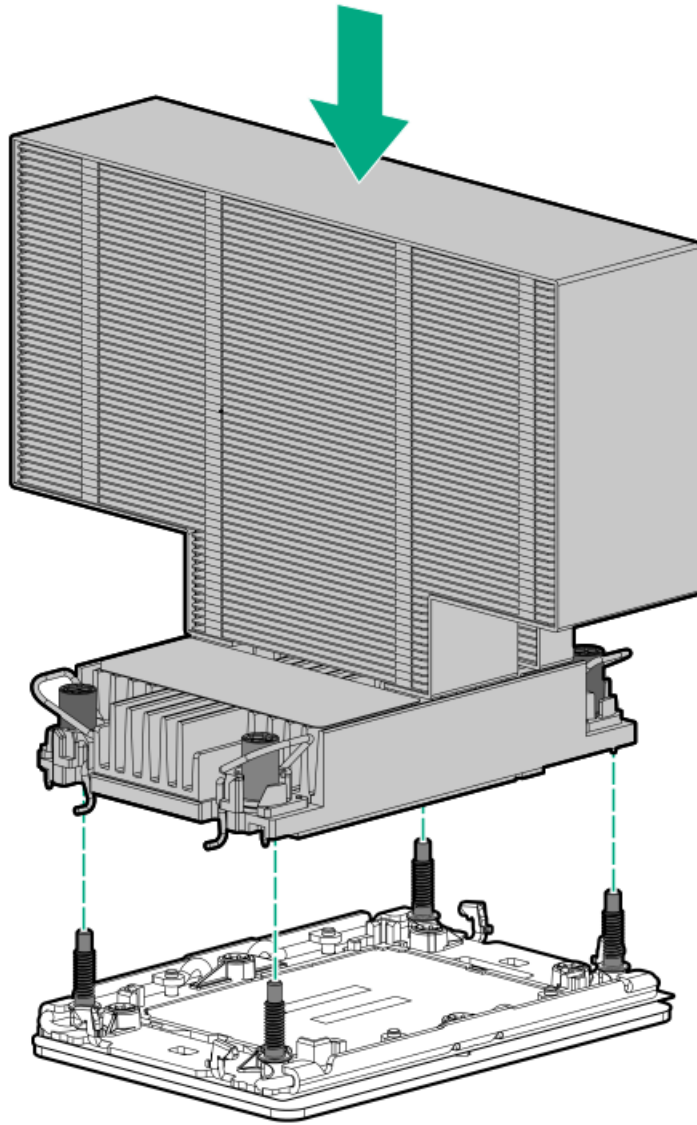
- a. When using a torque wrench to tighten the heatsink screws, set 0.9 N-m (8 in-lb) of torque .
- b. Note the **Front of server** text on the heatsink label to correctly orient the processor-heatsink module over the bolster plate.
- c. Carefully lower the processor-heatsink module straight down onto the bolster plate guide posts.

The posts are keyed so that the module can only be installed one way. Make sure that the module is properly seated on the bolster plate before securing the screws.

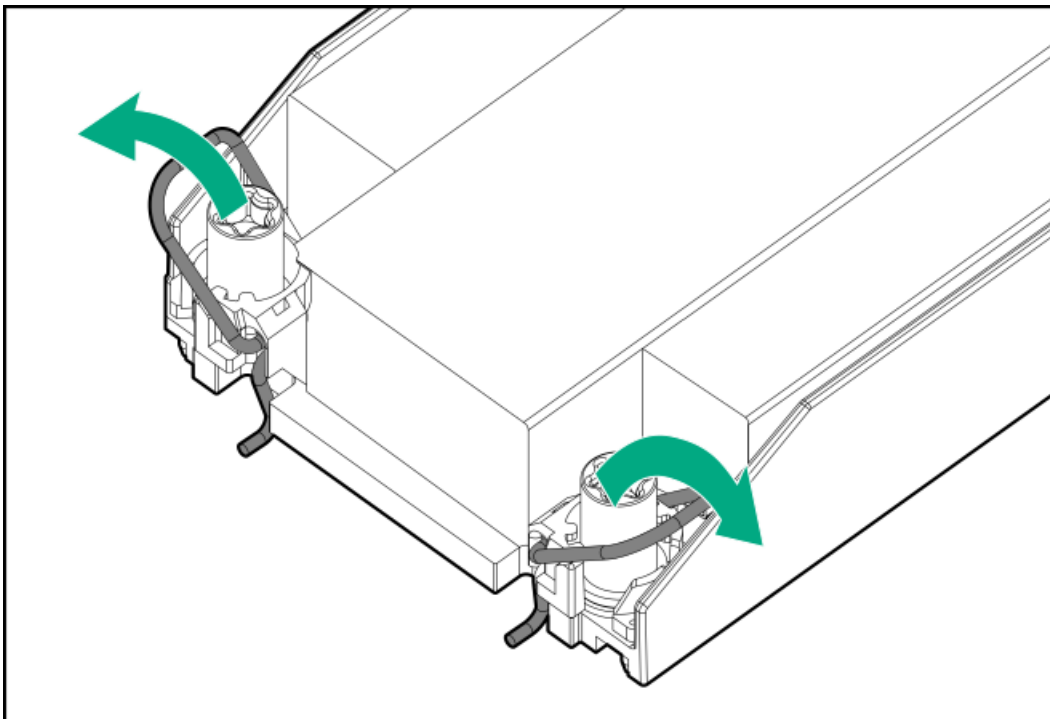
- Standard heatsink



- Performance heatsink



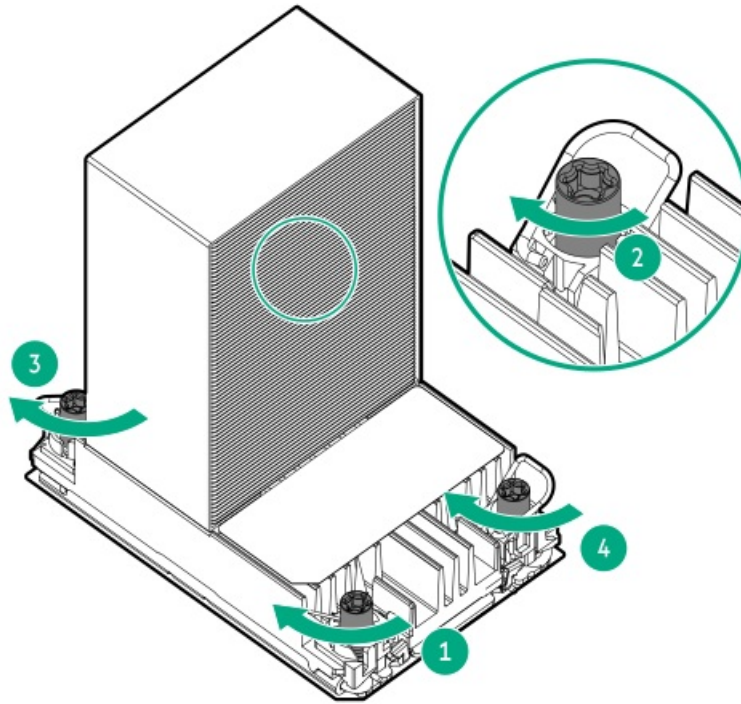
d. Set the anti-tilt wires to the locked position.



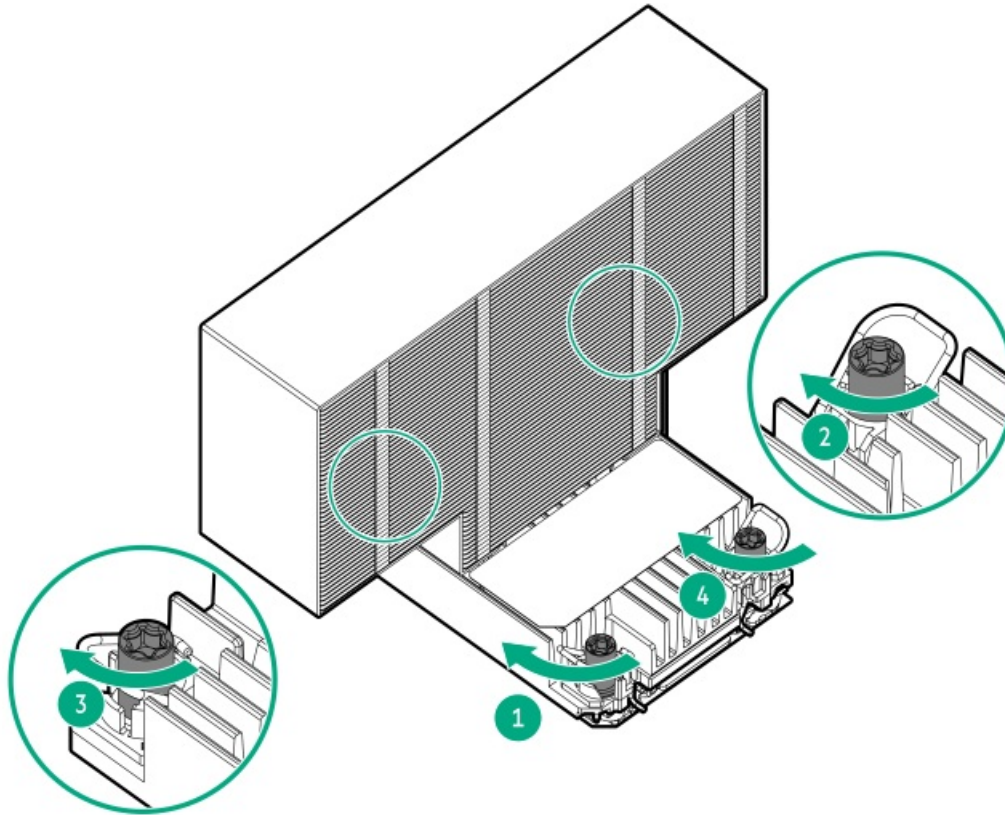


e. Tighten one pair of diagonally opposite heatsink screws, and then tighten the other pair of heatsink screws.

- Standard heatsink



- Performance heatsink



9. Install the fan cage.

10. Install the access panel.

11. Lock the front bezel.

12. Do one of the following:
  - Orient the server back in tower mode.
  - Install the server into the rack.
13. Connect all peripheral cables to the server.
14. Connect each power cord to the server.
15. Connect each power cord to the power source.
16. Power up the server.
17. Reconfigure the date and time settings.

## Results

The replacement procedure is complete.

## Reconfiguring the system date and time settings

### Procedure

1. Access the UEFI System Utilities. During POST, press **F9**.
2. From the System Utilities screen, select System Configuration > BIOS/Platform Configuration (RBSU) > Date and Time.
3. Select a setting, and then complete your entry.
  - Date (mm-dd-yyyy)—Enter the date in a month-day-year (mm-dd-yyyy) format.
  - Time (hh:mm:ss)—Enter the time in a 24-hour format (hh:mm:ss) format.
  - Hour Format—Select either a 12- or 24-hours format. (This setting is supported in Gen10 Plus and later servers.)
  - Time Format
    - Coordinated Universal Time (UTC)—Calculates the time stored in the hardware real-time clock (RTC) from the associated Time Zone setting.
    - Local Time—Removes the use of the Time Zone setting. This option is useful for addressing interaction issues in Windows operating systems set in legacy BIOS boot mode.
  - Time Zone—Select the time zone for the system.
  - Daylight Savings Time
    - Enabled—Adjusts the local time displayed by one hour for Daylight Savings Time.
    - Disabled—Does not adjust the local time displayed for Daylight Savings Time.
4. To confirm and save the settings, press **F12**.

The server automatically reboots.

## Expansion card replacement

### Subtopics

[Removing and replacing an expansion card from the primary/secondary riser cage](#)



## Removing and replacing an expansion card from the primary/secondary riser cage

### Prerequisites

Before you perform this procedure, make sure that you have a T-10 Torx screwdriver available.

### About this task



#### CAUTION

To prevent improper cooling and thermal damage, do not operate the server unless all PCIe slots have either a riser slot blank or an expansion card installed.



#### CAUTION

Before replacing a DIMM, backplane, expansion card, riser board, or other similar PCA components due to a perceived hardware error, make sure first that the component is firmly seated in the slot.

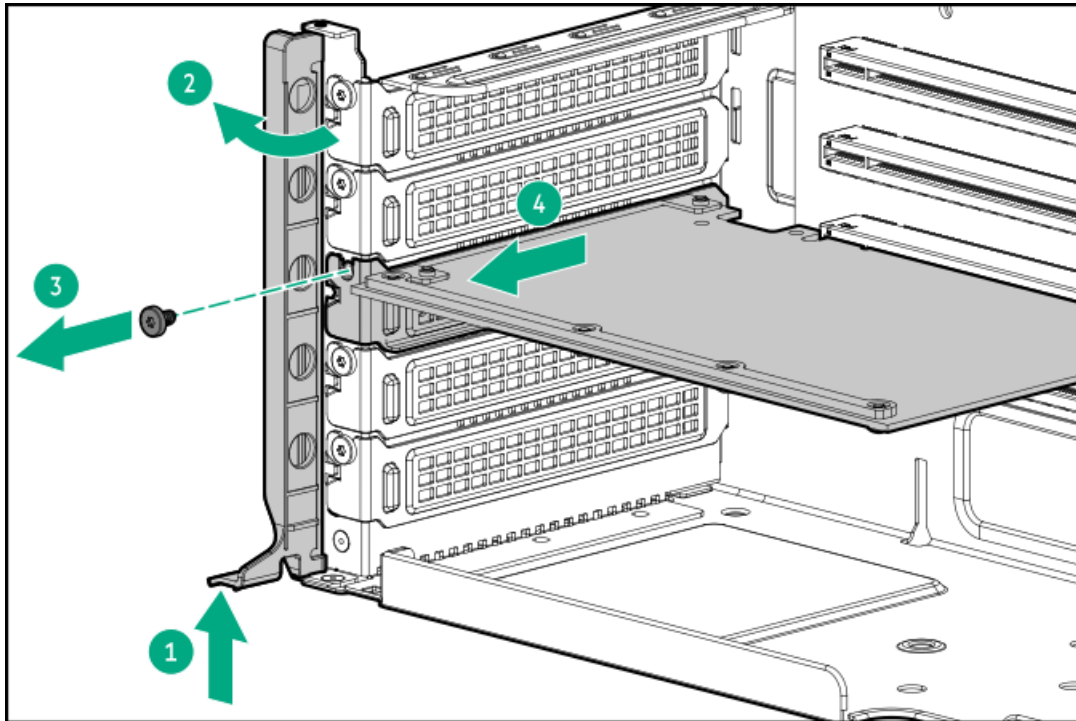
When installing the replacement component:

- Observe antistatic precautions.
- Handle the PCA only along the edges.
- Do not touch the components and connectors on the PCA.
- Do not bend or flex the PCA.

### Procedure

1. Power down the server.
2. Remove all power:
  - a. Disconnect each power cord from the power source.
  - b. Disconnect each power cord from the server.
3. Disconnect all peripheral cables from the server.
4. Do one of the following:
  - If the server is in tower mode, place the server on a flat, level surface with the access panel facing up.
  - If the server is in rack mode, remove the server from the rack.
5. Unlock the front bezel.
6. Remove the access panel.
7. Disconnect any internal cables that are connected to the expansion card.
8. Do one of the following:
  - Remove the primary riser cage.
  - Remove the secondary riser cage.
9. Disconnect all internal cables from the expansion card. If removing a high power GPU, disconnect the GPU auxiliary power cable.
10. Remove the expansion card:
  - a. Simultaneously push and rotate to close the riser cage latch.

- b. Remove the screw, and then remove the expansion card.



## Results

The removal procedure is complete. To replace the component, reverse this procedure.

## Removing and replacing an expansion card from the tertiary riser

### Prerequisites

Before you perform this procedure, make sure that you have a T-10 Torx screwdriver available.

### About this task



#### CAUTION

To prevent improper cooling and thermal damage, do not operate the server unless all PCIe slots have either a riser slot blank or an expansion card installed.



#### CAUTION

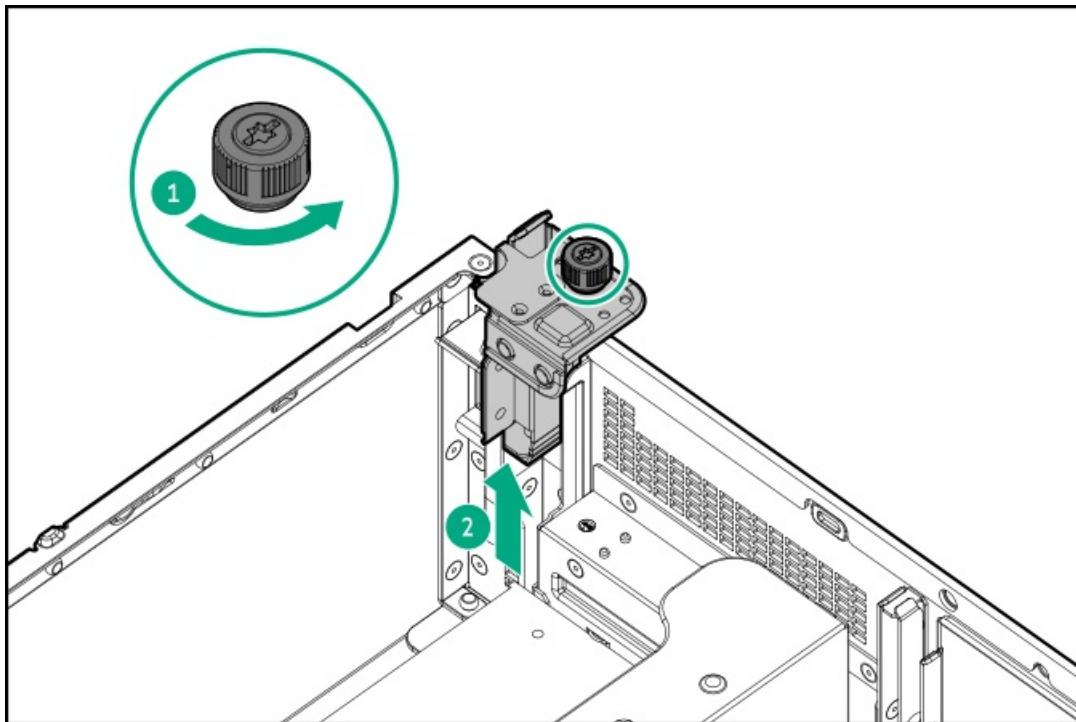
Before replacing a DIMM, backplane, expansion card, riser board, or other similar PCA components due to a perceived hardware error, make sure first that the component is firmly seated in the slot.

When installing the replacement component:

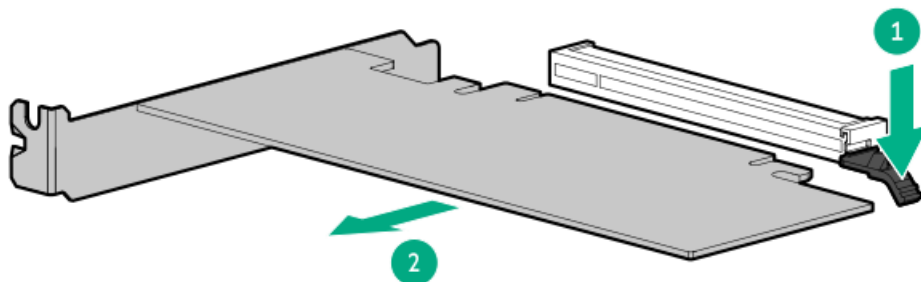
- Observe antistatic precautions.
- Handle the PCA only along the edges.
- Do not touch the components and connectors on the PCA.
- Do not bend or flex the PCA.

## Procedure

1. Power down the server.
2. Remove all power:
  - a. Disconnect each power cord from the power source.
  - b. Disconnect each power cord from the server.
3. Disconnect all peripheral cables from the server.
4. Do one of the following:
  - If the server is in tower mode, place the server on a flat, level surface with the access panel facing up.
  - If the server is in rack mode, remove the server from the rack.
5. Unlock the front bezel.
6. Remove the access panel.
7. Disconnect any internal cables that are connected to the expansion card.
8. If an expansion card with internal cables is installed on the riser, disconnect the cables from the card.
9. Remove the expansion card:
  - a. Loosen the stabilizer bracket captive screw, and then pull the bracket from the expansion card.



- b. Remove the expansion card from the tertiary riser.



## Results

The removal procedure is complete. To replace the component, reverse this procedure.

## Removing and replacing a type-o storage controller

### About this task



#### CAUTION

The port blank provides EMI shielding and helps maintain proper thermal status inside the server. Do not operate the server when a port blank is removed without the corresponding I/O port option installed.



#### CAUTION

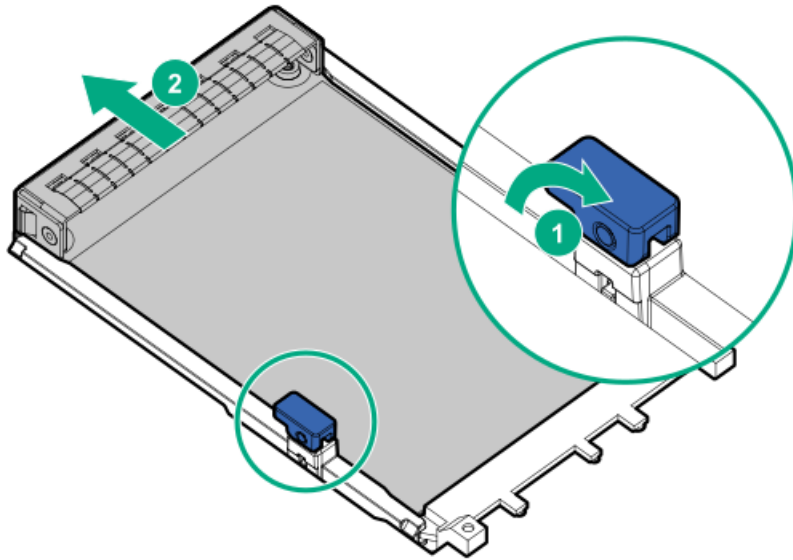
Before replacing a DIMM, backplane, expansion card, riser board, or other similar PCA components due to a perceived hardware error, make sure first that the component is firmly seated in the slot.

When installing the replacement component:

- Observe antistatic precautions.
- Handle the PCA only along the edges.
- Do not touch the components and connectors on the PCA.
- Do not bend or flex the PCA.

### Procedure

1. Power down the server.
2. Remove all power:
  - a. Disconnect each power cord from the power source.
  - b. Disconnect each power cord from the server.
3. Disconnect all peripheral cables from the server.
4. Do one of the following:
  - If the server is in tower mode, place the server on a flat, level surface with the access panel facing up.
  - If the server is in rack mode, remove the server from the rack.
5. Unlock the front bezel.
6. Remove the access panel.
7. Remove the primary riser cage.
8. Disconnect the storage cables from the type-o controller.
9. Remove the type-o storage controller:
  - a. Rotate the locking pin to the open (vertical) position.
  - b. Slide the controller out of the bay.



## Results

The removal procedure is complete. To replace the component, reverse this procedure.

## HPE NS204i-u Boot Device replacement

### Subtopics

[Removing and replacing the boot device cage assembly](#)

[Removing and replacing a boot device drive](#)

## Removing and replacing the boot device cage assembly

### Prerequisites

Before you perform this procedure, make sure that you have a T-15 Torx screwdriver available.

### About this task

[https://sketchfab.com/models/ae39752a1ff74805b80ea84539ab7da5/embed?ui\\_infos=0&ui\\_watermark=0&ui\\_help=0&ui\\_vr=0&ui\\_settings=0&ui\\_inspector=0&ui\\_hint=2&ui\\_color=01a982&ui\\_theme=dark&autostart=1&camera=0&](https://sketchfab.com/models/ae39752a1ff74805b80ea84539ab7da5/embed?ui_infos=0&ui_watermark=0&ui_help=0&ui_vr=0&ui_settings=0&ui_inspector=0&ui_hint=2&ui_color=01a982&ui_theme=dark&autostart=1&camera=0&)



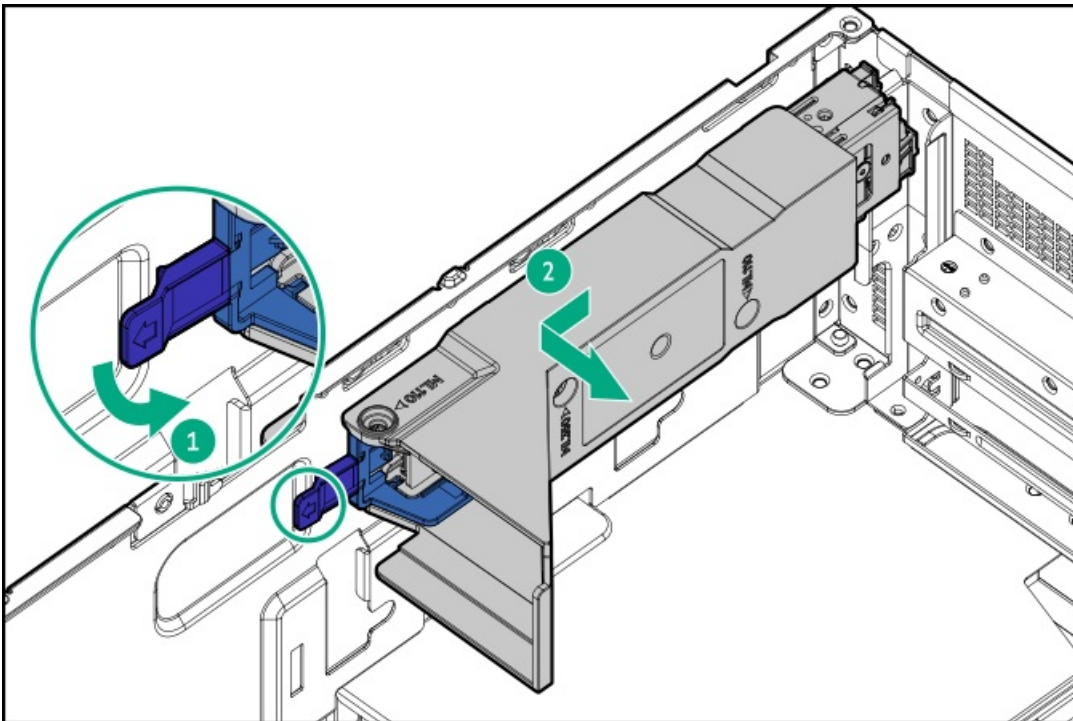
#### CAUTION

A discharge of static electricity from a finger or other conductor might damage system boards or other static-sensitive devices. To prevent damage, observe [antistatic precautions](#).

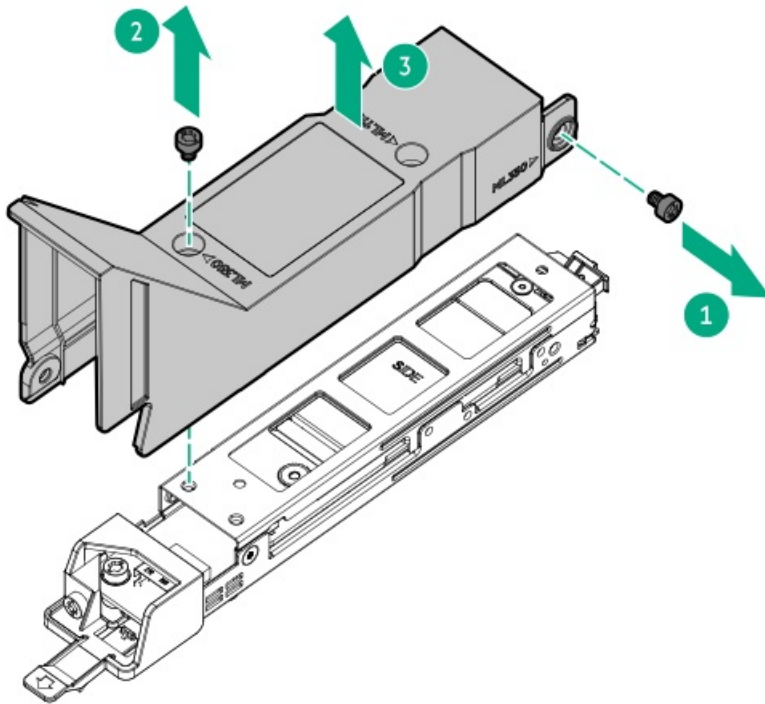
### Procedure

1. [Power down the server](#).
2. Remove all power:
  - a. Disconnect each power cord from the power source.

- b. Disconnect each power cord from the server.
3. Disconnect all peripheral cables from the server.
4. If the server is in tower mode, place the server on a flat, level surface with the access panel facing up.
5. If the server is in rack mode, do one of the following:
  - Extend the server from the rack.
  - Remove the server from the rack.
6. Unlock the front bezel.
7. Remove the access panel.
8. Remove the boot device from the top of the power supply cage:
  - a. Pull and hold the latch.
  - b. Remove the boot device from the chassis side wall.

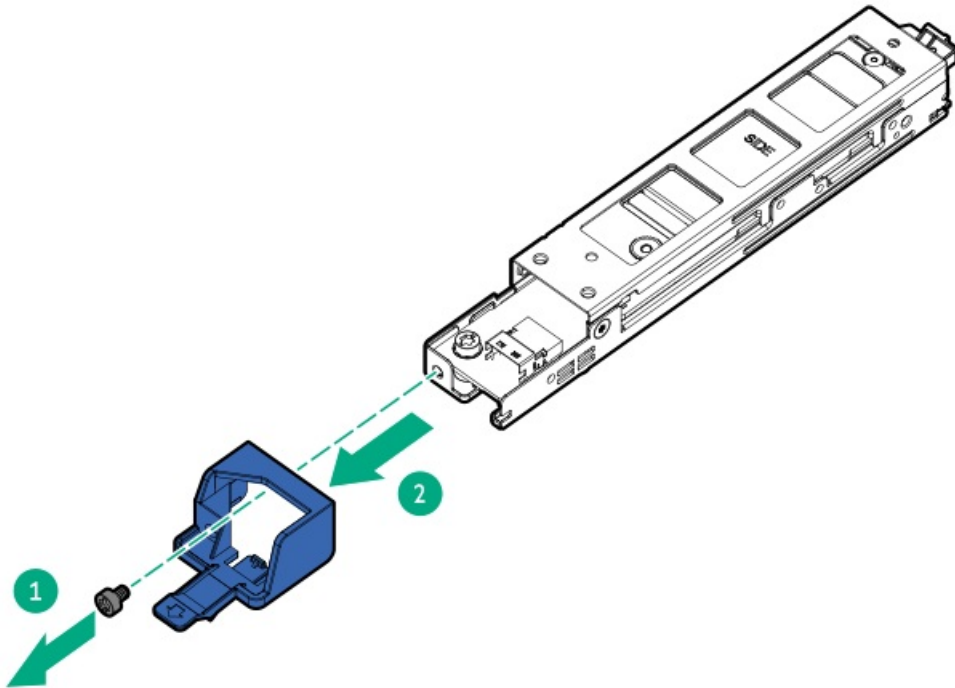


9. Disconnect the signal and power cables from the boot device.
10. Remove the boot device baffle:
  - a. Remove the boot device baffle screws.
  - b. Remove the baffle from the boot device.



11. Remove the boot device latch:

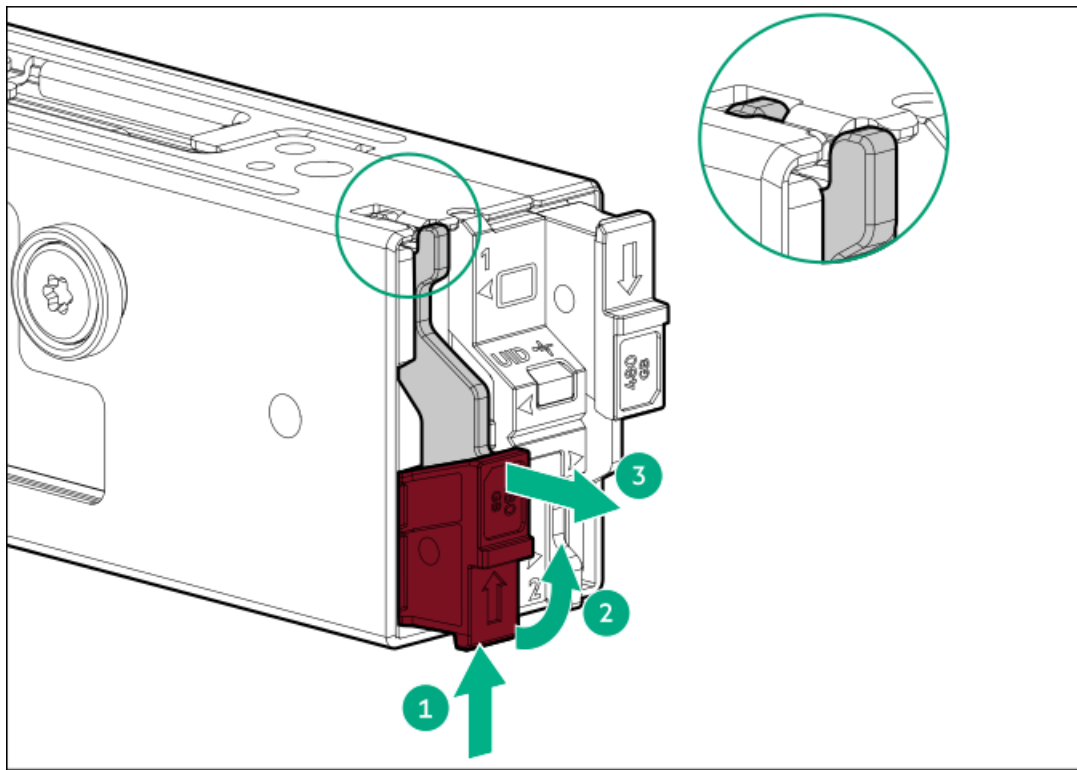
- a. Remove the latch screw.
- b. Remove the latch from the boot device.



12. Remove the boot device carrier:

- a. Press and hold the carrier latch.
- b. Pivot the latch to open.
- c. Slide the carrier out from the boot device cage.





## Results

The removal procedure is complete. To replace the component, reverse this procedure.

## Removing and replacing a boot device drive

### Prerequisites

Before you perform this procedure, make sure that you have a Phillips No. 1 screwdriver available.

### About this task



#### CAUTION

Before replacing a DIMM, backplane, expansion card, riser board, or other similar PCA components due to a perceived hardware error, make sure first that the component is firmly seated in the slot.

When installing the replacement component:

- Observe antistatic precautions.
- Handle the PCA only along the edges.
- Do not touch the components and connectors on the PCA.
- Do not bend or flex the PCA.



#### IMPORTANT

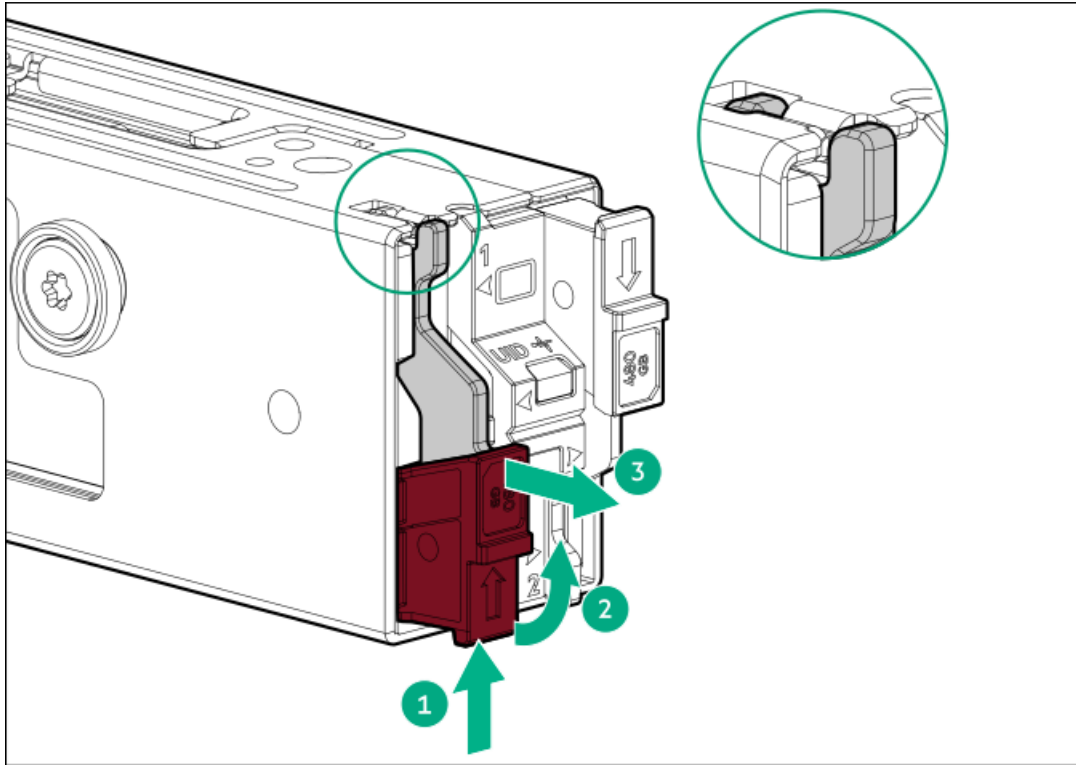
To ensure proper RAID 1 configuration, verify that the boot device SSDs are the same part number. Mixed SSD models are not supported.

## Procedure

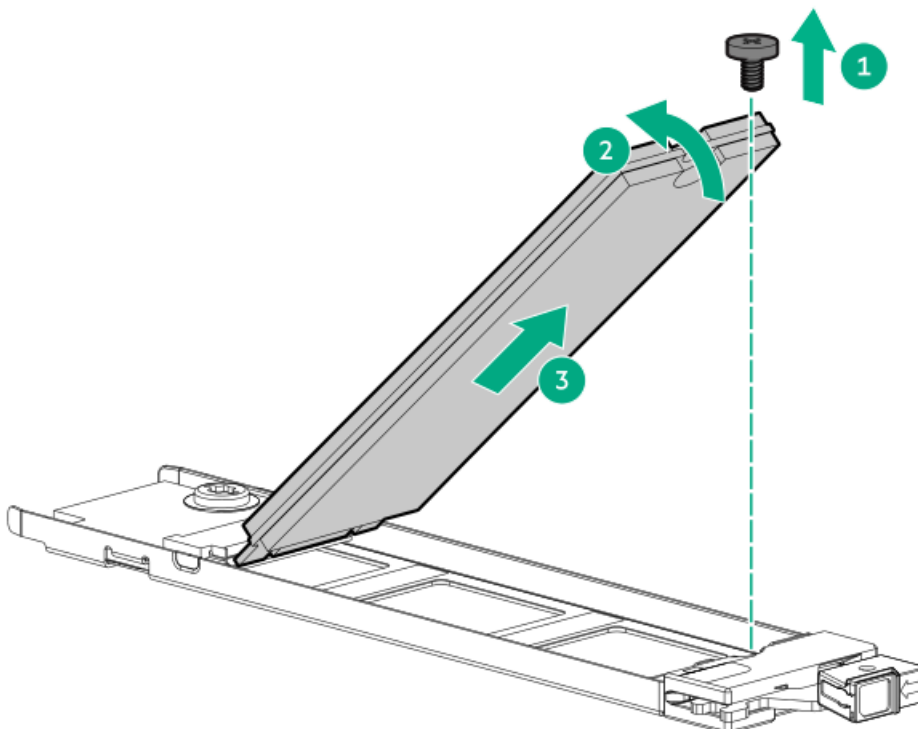
1. Back up all server data.



2. Observe the drive LED status and determine if the drive can be removed.
3. Remove the boot device carrier:
  - a. Press and hold the carrier latch.
  - b. Pivot the latch to open.
  - c. Slide the carrier out from the boot device cage.



4. Remove the SSD from the boot device carrier:
  - a. Remove the SSD mounting screw.
  - b. Tilt the SSD at a 45° angle, and then carefully remove the SSD from the M.2 slot.



## Results

The removal procedure is complete. To replace the component, reverse this procedure.

## Riser board replacement

### Subtopics

[Removing and replacing the primary/secondary riser board](#)

[Removing and replacing the tertiary riser board](#)

## Removing and replacing the primary/secondary riser board

### Prerequisites

Before you perform this procedure, make sure that you have a T-15 Torx screwdriver available.

### About this task

[https://support.hpe.com/hpesc/public/videoDisplay?videoid=vpsg00005502en\\_us&noframe](https://support.hpe.com/hpesc/public/videoDisplay?videoid=vpsg00005502en_us&noframe)



#### CAUTION

Before replacing a DIMM, backplane, expansion card, riser board, or other similar PCA components due to a perceived hardware error, make sure first that the component is firmly seated in the slot.

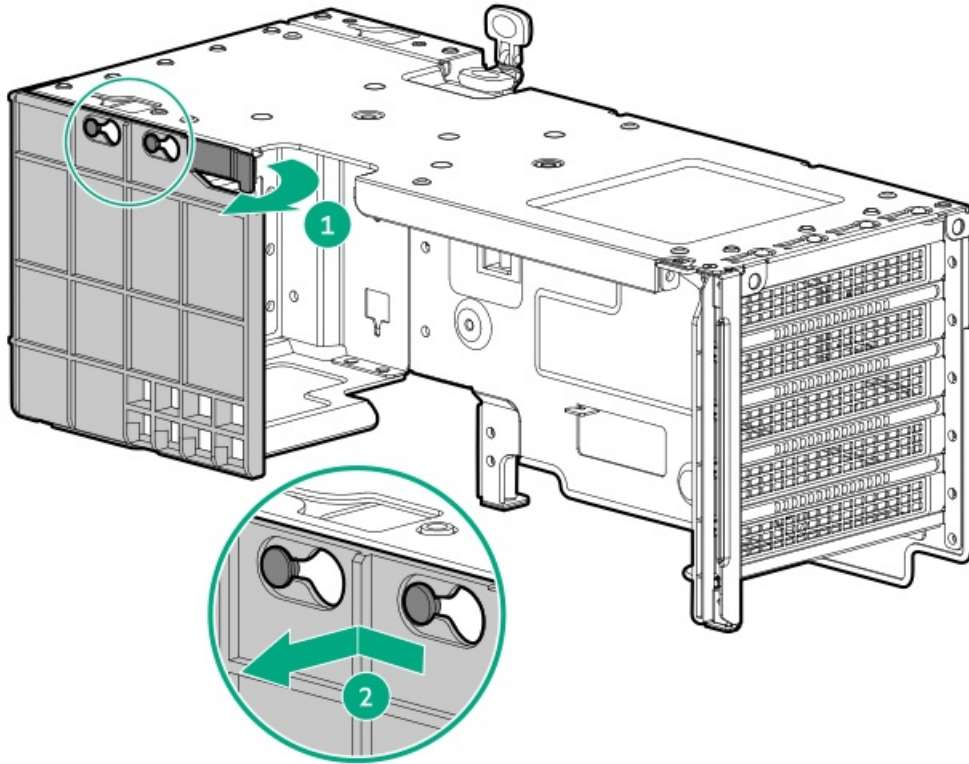
When installing the replacement component:

- Observe [antistatic precautions](#).
- Handle the PCA only along the edges.
- Do not touch the components and connectors on the PCA.
- Do not bend or flex the PCA.

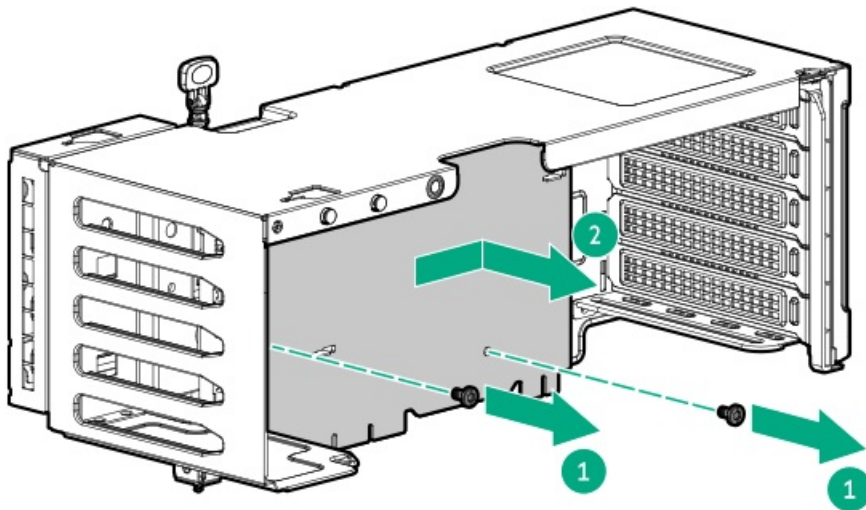
### Procedure

1. [Power down the server](#).
2. Remove all power:
  - a. Disconnect each power cord from the power source.
  - b. Disconnect each power cord from the server.
3. Disconnect all peripheral cables from the server.
4. Do one of the following:
  - If the server is in tower mode, [place the server on a flat, level surface with the access panel facing up](#).
  - If the server is in rack mode, [remove the server from the rack](#).
5. Unlock the front bezel.
6. [Remove the access panel](#).

7. Do one of the following:
  - Remove the primary riser cage.
  - Remove the secondary riser cage.
8. If installed, remove any expansion card from the riser .
9. Remove the retainer bracket.



10. Remove the primary/secondary riser board.



## Results

The removal procedure is complete. To replace the component, reverse this procedure.

## Removing and replacing the tertiary riser board

### Prerequisites

Before you perform this procedure, make sure that you have a T-15 Torx screwdriver available.

### About this task



#### CAUTION

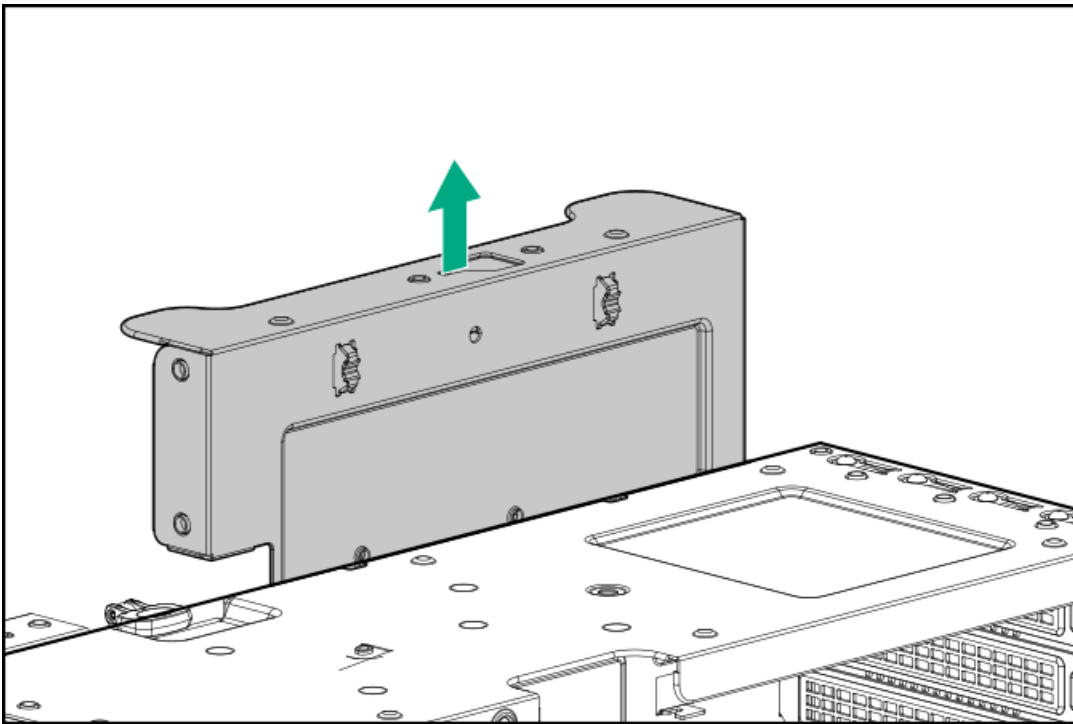
Before replacing a DIMM, backplane, expansion card, riser board, or other similar PCA components due to a perceived hardware error, make sure first that the component is firmly seated in the slot.

When installing the replacement component:

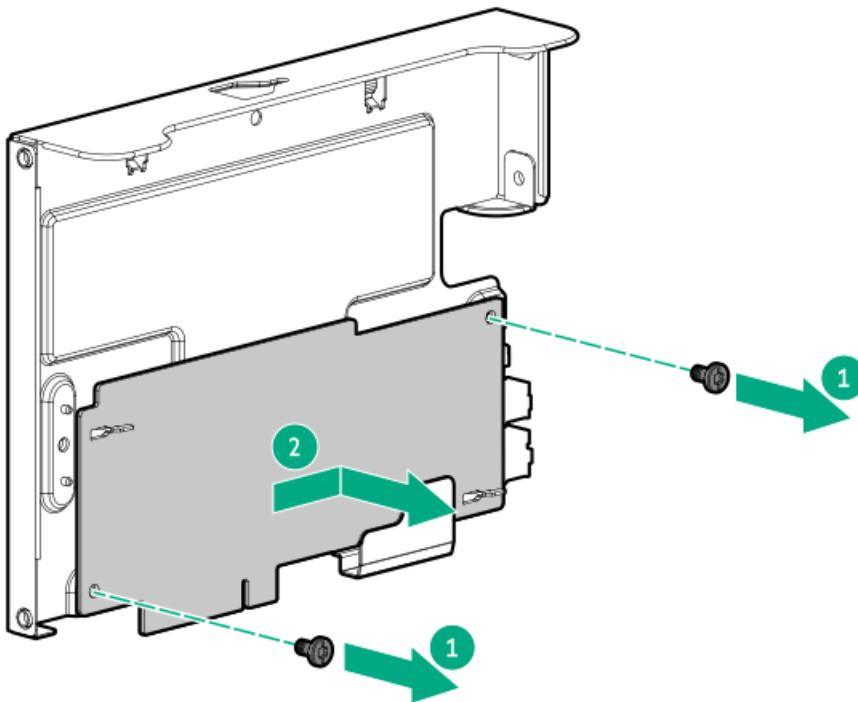
- Observe antistatic precautions.
- Handle the PCA only along the edges.
- Do not touch the components and connectors on the PCA.
- Do not bend or flex the PCA.

### Procedure

1. Power down the server.
2. Remove all power:
  - a. Disconnect each power cord from the power source.
  - b. Disconnect each power cord from the server.
3. Disconnect all peripheral cables from the server.
4. Do one of the following:
  - If the server is in tower mode, place the server on a flat, level surface with the access panel facing up.
  - If the server is in rack mode, remove the server from the rack.
5. Unlock the front bezel.
6. Remove the access panel.
7. If installed, remove the following hardware components:
  - a. Boot device cage assembly
  - b. Energy pack
8. If installed, remove the expansion card from the tertiary riser.
9. Remove the tertiary riser.



10. Remove the tertiary riser board.



## Results

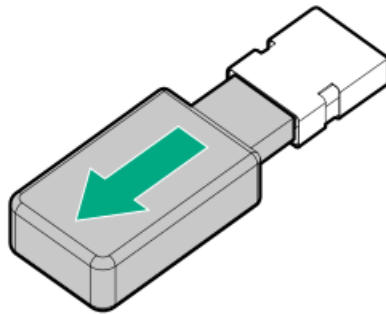
The removal procedure is complete. To replace the component, reverse this procedure.

## Removing and replacing the internal USB device

### Procedure

1. Power down the server.

2. Remove all power:
  - a. Disconnect each power cord from the power source.
  - b. Disconnect each power cord from the server.
3. Disconnect all peripheral cables from the server.
4. If the server is in tower mode, place the server on a flat, level surface with the access panel facing up.
5. If the server is in rack mode, do one of the following:
  - Extend the server from the rack.
  - Remove the server from the rack.
6. Unlock the front bezel.
7. Remove the access panel.
8. Unplug the USB device from the USB port.



## Results

The removal procedure is complete. To replace the component, reverse this procedure.

## Removing and replacing the energy pack

### About this task



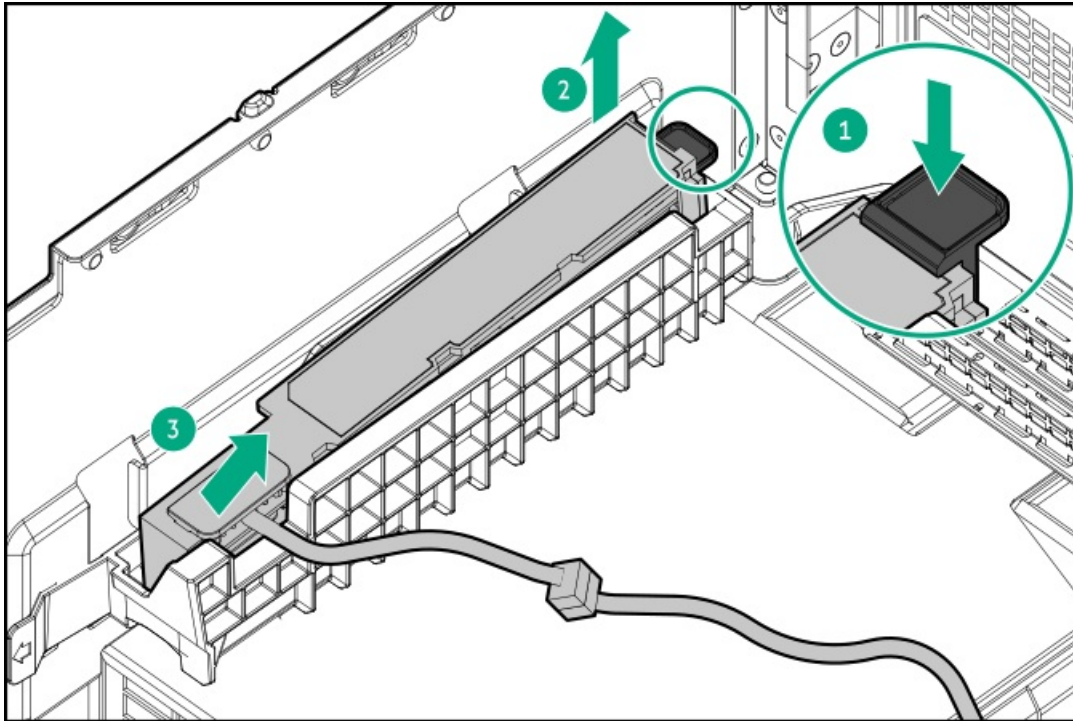
#### CAUTION

A discharge of static electricity from a finger or other conductor might damage system boards or other static-sensitive devices. To prevent damage, observe antistatic precautions.

### Procedure

1. Power down the server.
2. Remove all power:
  - a. Disconnect each power cord from the power source.
  - b. Disconnect each power cord from the server.
3. Disconnect all peripheral cables from the server.
4. If the server is in tower mode, place the server on a flat, level surface with the access panel facing up.
5. If the server is in rack mode, do one of the following:

- Extend the server from the rack.
  - Remove the server from the rack.
6. Unlock the front bezel.
  7. Remove the access panel.
  8. If installed, remove the boot device.
  9. Disconnect the energy pack extension cable from the system board.
  10. Remove the energy pack:
    - a. Press and hold the release latch.
    - b. Lift one end of the energy pack and release it from the holder.



11. Disconnect the energy pack extension cable from the energy pack cable.

## Results

The removal procedure is complete. To replace the component, reverse this procedure.

## Removing and replacing the energy pack holder

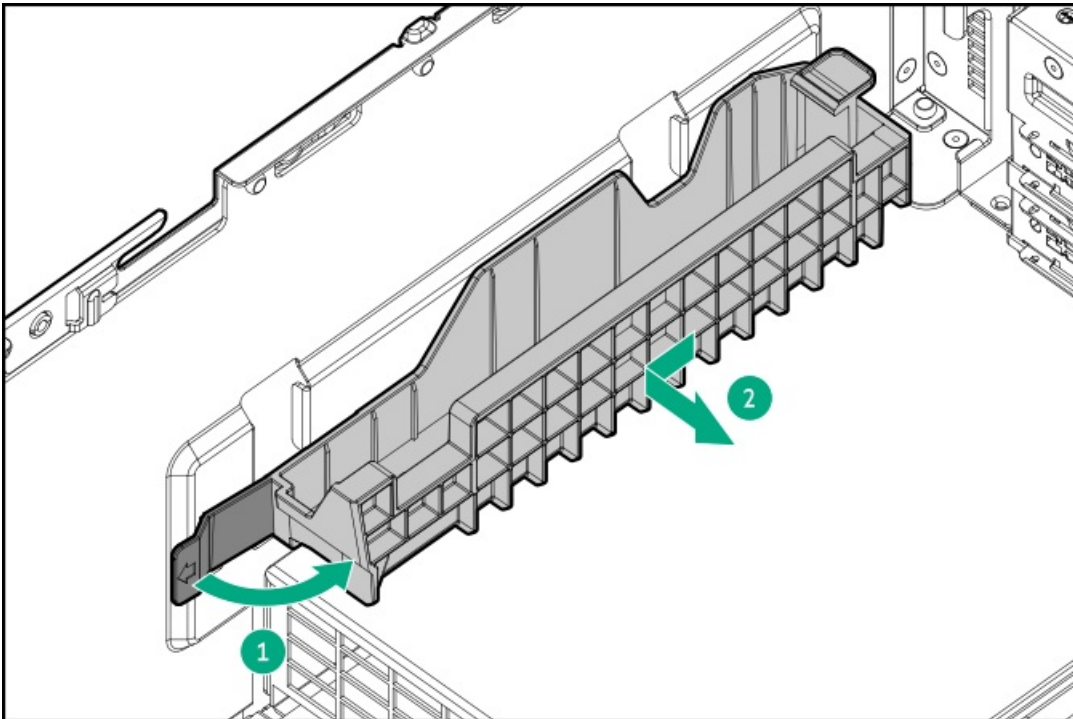
### About this task

[https://support.hpe.com/hpesc/public/videoDisplay?videoid=vpsq00005494en\\_us&noframe](https://support.hpe.com/hpesc/public/videoDisplay?videoid=vpsq00005494en_us&noframe)

### Procedure

1. Power down the server.
2. Remove all power:
  - a. Disconnect each power cord from the power source.

- b. Disconnect each power cord from the server.
3. Disconnect all peripheral cables from the server.
4. If the server is in tower mode, place the server on a flat, level surface with the access panel facing up.
5. If the server is in rack mode, do one of the following:
  - Extend the server from the rack.
  - Remove the server from the rack.
6. Unlock the front bezel.
7. Remove the access panel.
8. If installed, remove the following:
  - a. Remove the boot device.
  - b. Remove the energy pack.
9. Remove the energy pack holder:
  - a. Pull and hold the release latch on the holder.
  - b. Pull the holder towards the front panel to disengage from the chassis.



## Results

The removal procedure is complete. To replace the component, reverse this procedure.

## Removing and replacing a cable clamp

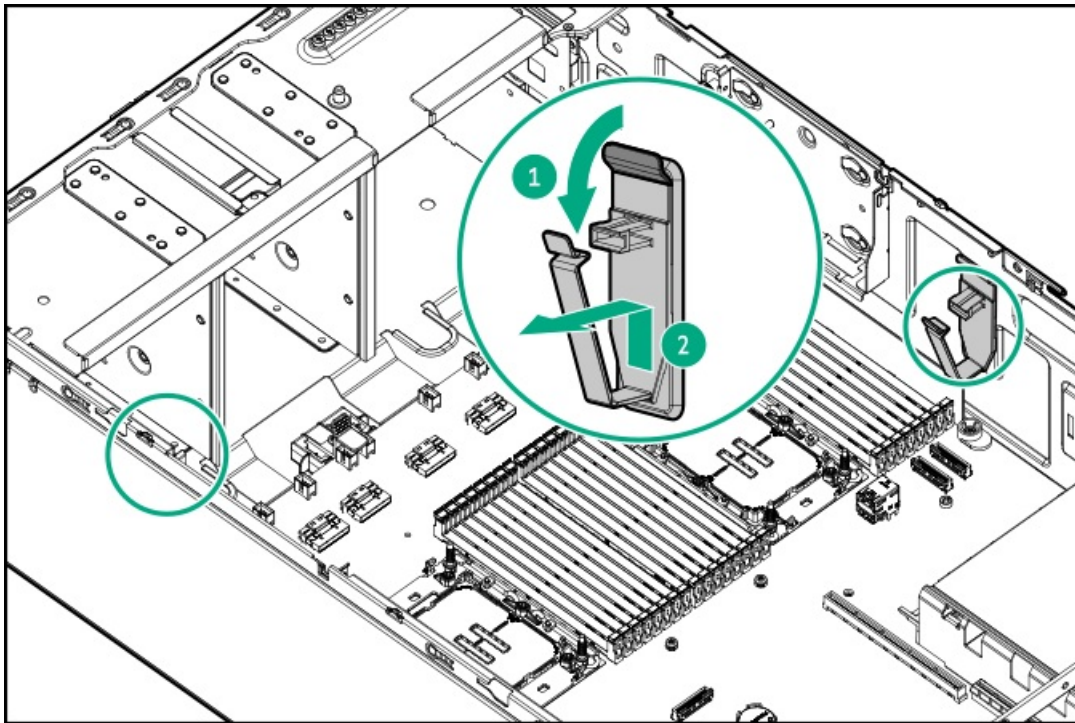
### About this task

[https://support.hpe.com/hpesc/public/videoDisplay?videoid=vpsg00005489en\\_us&noframe](https://support.hpe.com/hpesc/public/videoDisplay?videoid=vpsg00005489en_us&noframe)



## Procedure

1. Power down the server.
2. Remove all power:
  - a. Disconnect each power cord from the power source.
  - b. Disconnect each power cord from the server.
3. Disconnect all peripheral cables from the server.
4. Do one of the following:
  - If the server is in tower mode, place the server on a flat, level surface with the access panel facing up.
  - If the server is in rack mode, remove the server from the rack.
5. Unlock the front bezel.
6. Remove the access panel.
7. Open the cable clamp.
8. Release all cables from the clamp.
9. Remove the cable clamp:
  - a. Press and hold the latch.
  - b. Slide the clamp up to remove it from the chassis.



## Results

The removal procedure is complete. To replace the component, reverse this procedure.

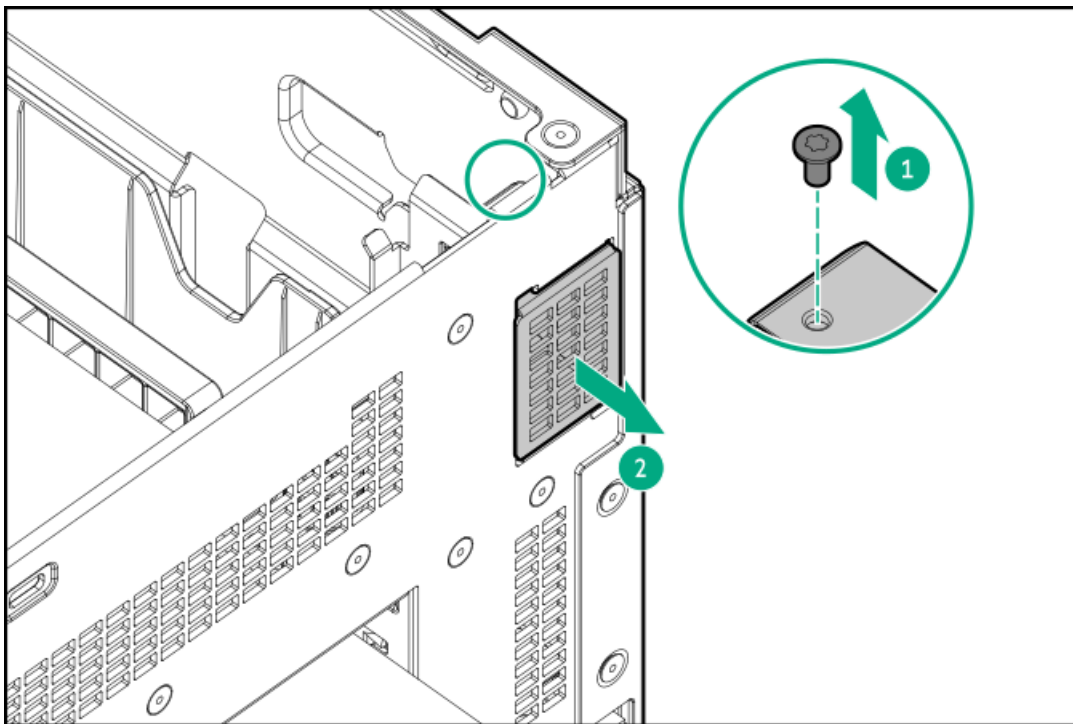
## Removing and replacing the boot device blank

### Prerequisites

Before you perform this procedure, make sure that you have a T-10 Torx screwdriver available.

## Procedure

1. Power down the server.
2. Remove all power:
  - a. Disconnect each power cord from the power source.
  - b. Disconnect each power cord from the server.
3. Disconnect all peripheral cables from the server.
4. Do one of the following:
  - If the server is in tower mode, place the server on a flat, level surface with the access panel facing up.
  - If the server is in rack mode, remove the server from the rack.
5. Unlock the front bezel.
6. Remove the access panel.
7. Remove the boot device blank.



## Results

The removal procedure is complete. To replace the component, reverse this procedure.

## Removing and replacing the secondary riser cage blank

### Prerequisites

Before you perform this procedure, make sure that you have a T-10 Torx screwdriver available.

### About this task

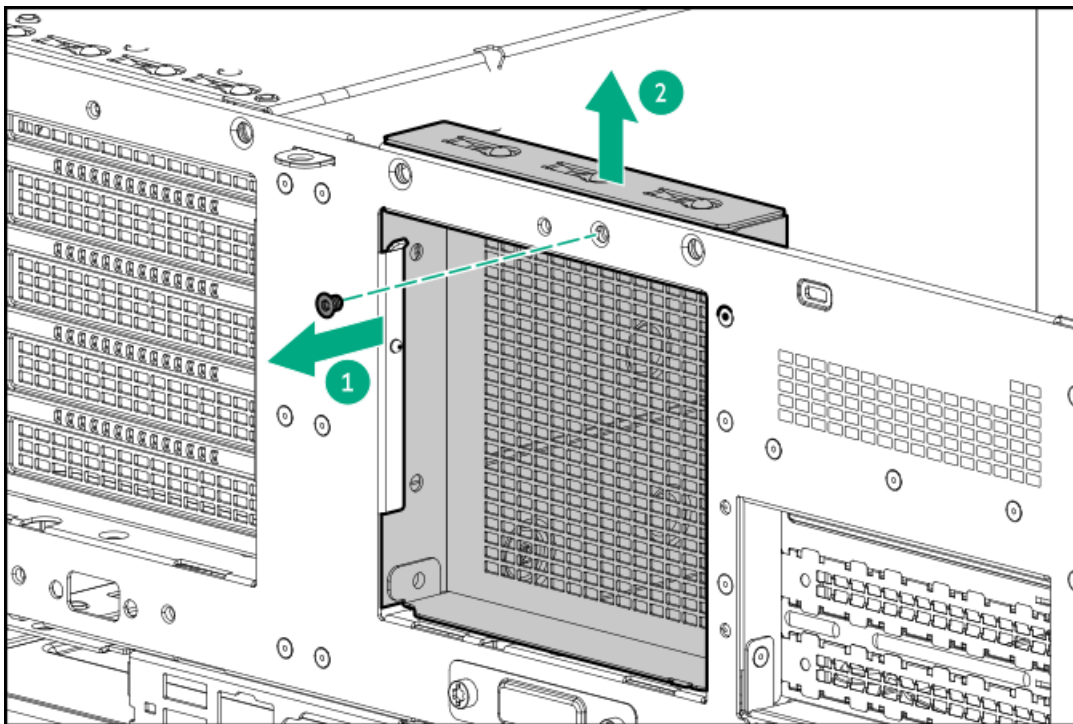


**CAUTION**

To prevent improper cooling and thermal damage, do not operate the server unless all bays are populated with either a component or a blank.

**Procedure**

1. Power down the server.
2. Remove all power:
  - a. Disconnect each power cord from the power source.
  - b. Disconnect each power cord from the server.
3. Disconnect all peripheral cables from the server.
4. Do one of the following:
  - If the server is in tower mode, place the server on a flat, level surface with the access panel facing up.
  - If the server is in rack mode, remove the server from the rack.
5. Unlock the front bezel.
6. Remove the access panel.
7. Remove the secondary riser cage blank.



**Results**

The removal procedure is complete. To replace the component, reverse this procedure.

**Removing and replacing the tertiary riser slot cover**

## Prerequisites

Before you perform this procedure, make sure that you have a spudger or any small prying tool available.

## About this task

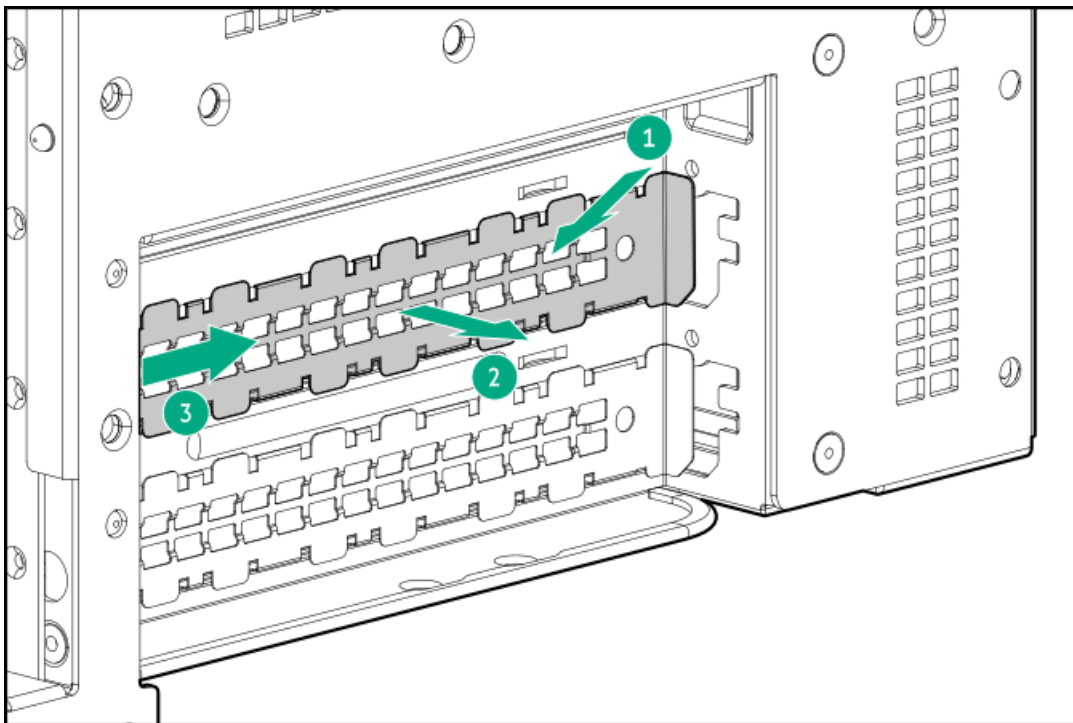


### CAUTION

To prevent improper cooling and thermal damage, do not operate the server unless all bays are populated with either a component or a blank.

## Procedure

1. Power down the server.
2. Remove all power:
  - a. Disconnect each power cord from the power source.
  - b. Disconnect each power cord from the server.
3. Disconnect all peripheral cables from the server.
4. If the server is in tower mode, place the server on a flat, level surface with the access panel facing up.
5. If the server is in rack mode, do one of the following:
  - Extend the server from the rack.
  - Remove the server from the rack.
6. Remove the tertiary riser slot cover:
  - a. Use a plastic spudger to pry the top side of the cover from the chassis.
  - b. Remove the blank.



## Results

The removal procedure is complete. To replace the component, reverse this procedure.

# Removing and replacing the external fan connector blank

## Prerequisites

Before you perform this procedure, make sure that you have a T-10 Torx screwdriver available.

## About this task

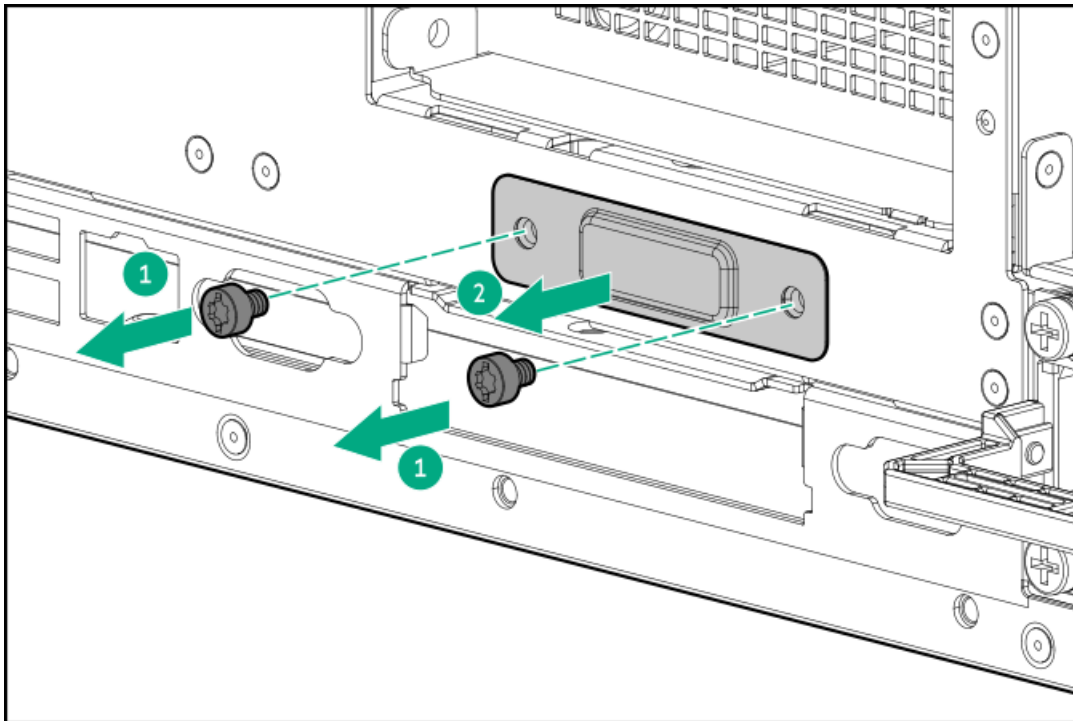


### CAUTION

To prevent improper cooling and thermal damage, do not operate the server unless all bays are populated with either a component or a blank.

## Procedure

1. Power down the server.
2. Remove all power:
  - a. Disconnect each power cord from the power source.
  - b. Disconnect each power cord from the server.
3. Disconnect all peripheral cables from the server.
4. If the server is in tower mode, place the server on a flat, level surface with the access panel facing up.
5. If the server is in rack mode, do one of the following:
  - Extend the server from the rack.
  - Remove the server from the rack.
6. Remove the external fan connector blank.



## Results

The removal procedure is complete. To replace the component, reverse this procedure.

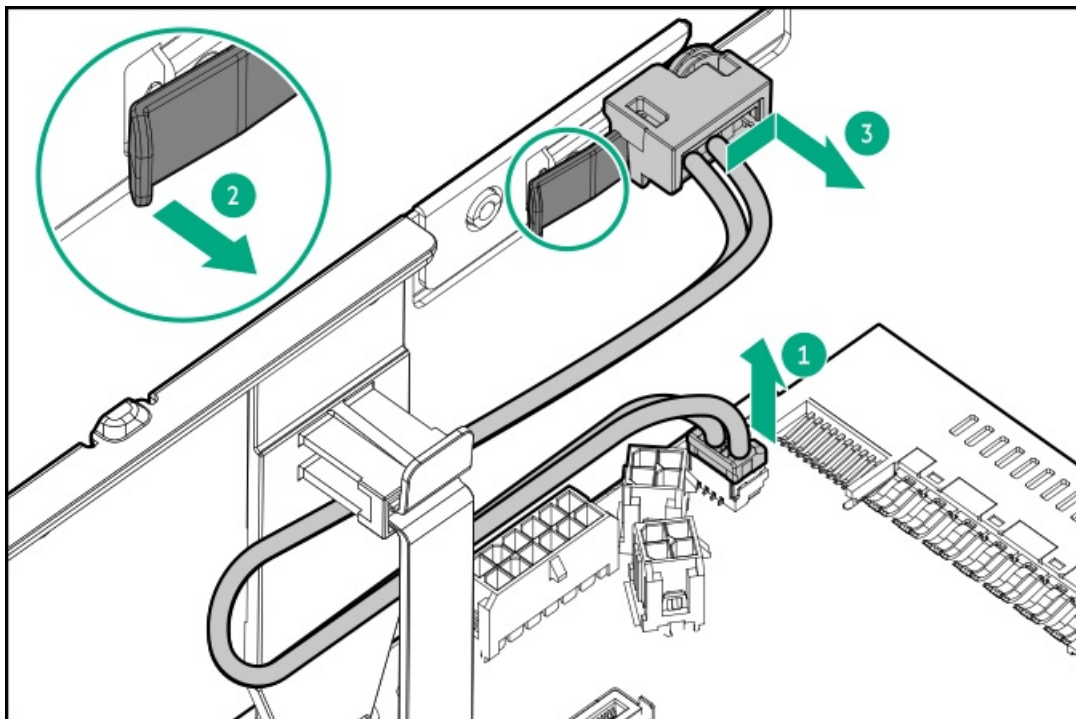
# Removing and replacing the chassis intrusion detection switch

## About this task

[https://support.hpe.com/hpesc/public/videoDisplay?videoid=vpsg00005490en\\_us&noframe](https://support.hpe.com/hpesc/public/videoDisplay?videoid=vpsg00005490en_us&noframe)

## Procedure

1. Power down the server.
2. Remove all power:
  - a. Disconnect each power cord from the power source.
  - b. Disconnect each power cord from the server.
3. Disconnect all peripheral cables from the server.
4. If the server is in tower mode, place the server on a flat, level surface with the access panel facing up.
5. If the server is in rack mode, do one of the following:
  - Extend the server from the rack.
  - Remove the server from the rack.
6. Unlock the front bezel.
7. Remove the access panel.
8. Remove the chassis intrusion detection switch:
  - a. Disconnect the switch cable and release it from the cable clamp.
  - b. While carefully retracting the snap-in latch, pull out the tab from the chassis slot.



## Results

The removal procedure is complete. To replace the component, reverse this procedure.

## Removing and replacing the OCP NIC 3.0 adapter

### About this task

[https://support.hpe.com/hpesc/public/videoDisplay?videoid=vpsq00005499en\\_us&noframe](https://support.hpe.com/hpesc/public/videoDisplay?videoid=vpsq00005499en_us&noframe)



#### CAUTION

Before replacing a DIMM, backplane, expansion card, riser board, or other similar PCA components due to a perceived hardware error, make sure first that the component is firmly seated in the slot.

When installing the replacement component:

- Observe antistatic precautions.
- Handle the PCA only along the edges.
- Do not touch the components and connectors on the PCA.
- Do not bend or flex the PCA.



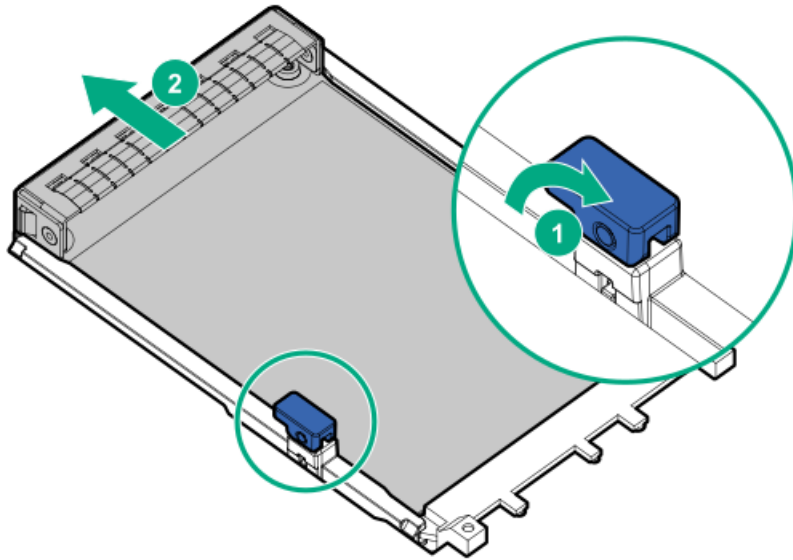
#### CAUTION

To prevent improper cooling and thermal damage, do not operate the server unless all OCP slots have either an OCP option or a slot blank installed.

### Procedure

1. Power down the server.
2. Remove all power:
  - a. Disconnect each power cord from the power source.
  - b. Disconnect each power cord from the server.
3. Disconnect all peripheral cables from the server.
4. Do one of the following:
  - If the server is in tower mode, place the server on a flat, level surface with the access panel facing up.
  - If the server is in rack mode, remove the server from the rack.
5. Unlock the front bezel.
6. Remove the access panel.
7. Do the following:
  - If replacing the adapter on Slot 14, remove the primary riser cage.
  - If replacing the adapter on Slot 15, remove the secondary riser cage.
8. Remove the OCP NIC 3.0 adapter:
  - a. Rotate the locking pin to the open (vertical) position.
  - b. Slide the adapter out of the bay.





## Results

The removal procedure is complete. To replace the component, reverse this procedure.

## Removing and replacing an OCP slot blank

### Prerequisites

Before you perform this procedure, make sure that you have a T-10 Torx screwdriver available.

### About this task

[https://support.hpe.com/hpsc/public/videoDisplay?videoid=vpsg00005500en\\_us&noframe](https://support.hpe.com/hpsc/public/videoDisplay?videoid=vpsg00005500en_us&noframe)



#### CAUTION

The port blank provides EMI shielding and helps maintain proper thermal status inside the server. Do not operate the server when a port blank is removed without the corresponding I/O port option installed.

### Procedure

1. Power down the server.
2. Remove all power:
  - a. Disconnect each power cord from the power source.
  - b. Disconnect each power cord from the server.
3. Disconnect all peripheral cables from the server.
4. Do one of the following:
  - If the server is in tower mode, place the server on a flat, level surface with the access panel facing up.
  - If the server is in rack mode, remove the server from the rack.
5. Unlock the front bezel.
6. Remove the access panel.

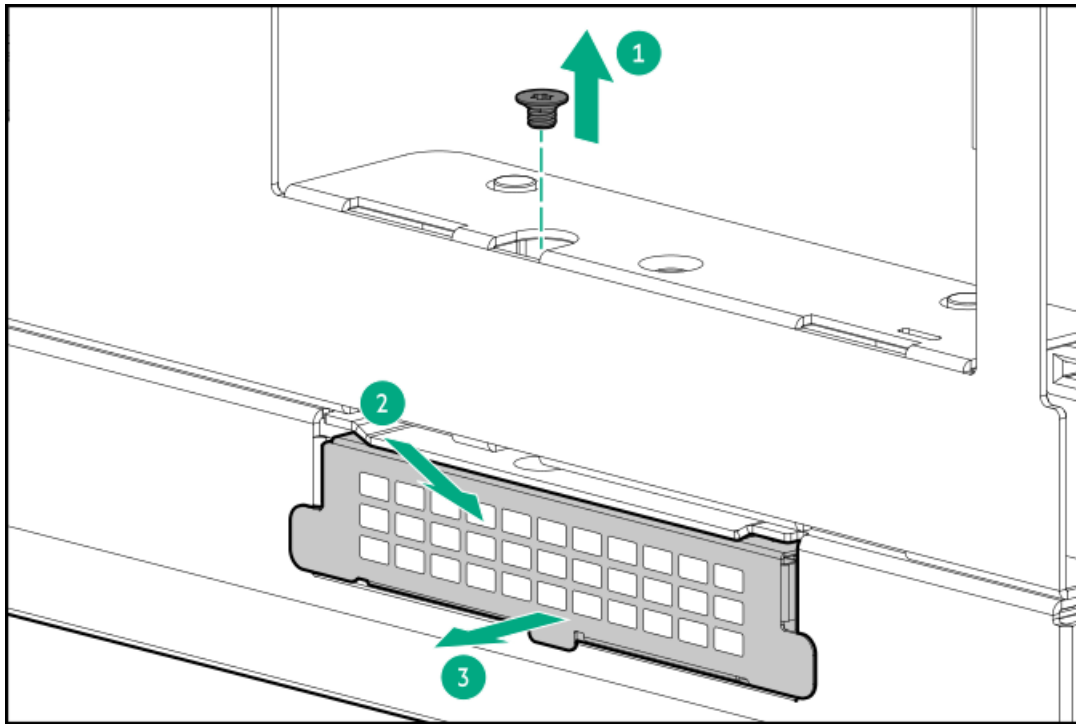


7. Do one of the following:

- Remove the primary riser cage.
- Remove the secondary riser cage.

8. Remove the OCP slot blank:

- a. Remove the blank screw.
- b. Use a plastic spudger to pry the top side of the blank from the chassis.
- c. Remove the blank.



## Results

The removal procedure is complete. To replace the component, reverse this procedure.

## Removing and replacing the serial port cable

### Prerequisites

Before you perform this procedure, make sure that you have a hex screwdriver available.

### About this task

[https://support.hpe.com/hpesc/public/videoDisplay?videoid=vpsg00005506en\\_us&noframe](https://support.hpe.com/hpesc/public/videoDisplay?videoid=vpsg00005506en_us&noframe)



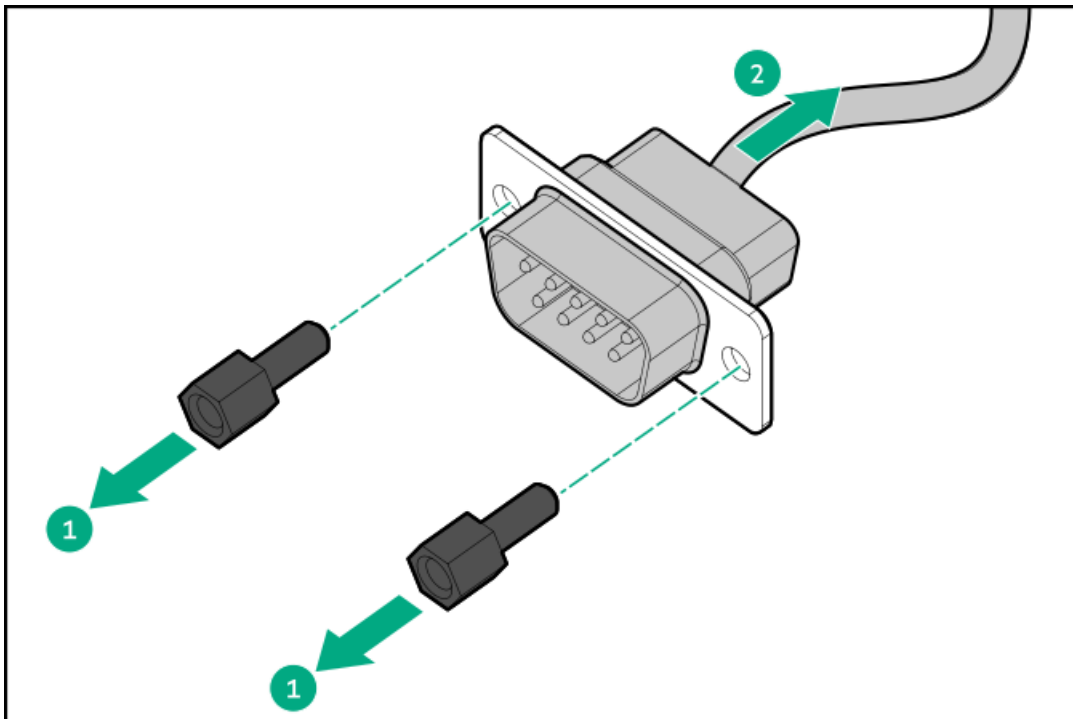
#### CAUTION

A discharge of static electricity from a finger or other conductor might damage system boards or other static-sensitive devices. To prevent damage, observe antistatic precautions.

### Procedure

1. Power down the server.

2. Remove all power:
  - a. Disconnect each power cord from the power source.
  - b. Disconnect each power cord from the server.
3. Disconnect all peripheral cables from the server.
4. Do one of the following:
  - If the server is in tower mode, place the server on a flat, level surface with the access panel facing up.
  - If the server is in rack mode, remove the server from the rack.
5. Unlock the front bezel.
6. Remove the access panel.
7. If installed, remove the secondary riser cage.
8. Disconnect the serial port cable from the system board.
9. Remove the serial port cable:
  - a. Remove the hex screws.
  - b. Remove the serial port from the rear panel.



## Results

The removal procedure is complete. To replace the component, reverse this procedure.

## Removing and replacing the serial port blank

### Prerequisites

Before you perform this procedure, make sure that you have a spudger or any small prying tool available.

## About this task

[https://support.hpe.com/hpesc/public/videoDisplay?videoid=vpsg00005505en\\_us&noframe](https://support.hpe.com/hpesc/public/videoDisplay?videoid=vpsg00005505en_us&noframe)

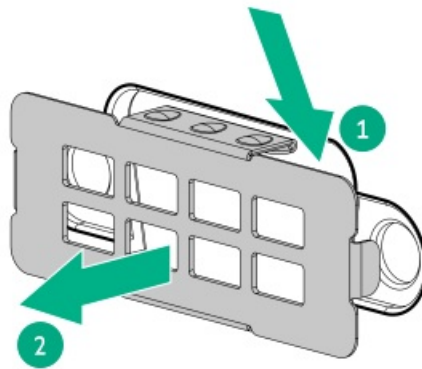


### CAUTION

The port blank provides EMI shielding and helps maintain proper thermal status inside the server. Do not operate the server when a port blank is removed without the corresponding I/O port option installed.

## Procedure

1. Power down the server.
2. Remove all power:
  - a. Disconnect each power cord from the power source.
  - b. Disconnect each power cord from the server.
3. Disconnect all peripheral cables from the server.
4. If the server is in tower mode, place the server on a flat, level surface with the access panel facing up.
5. If the server is in rack mode, do one of the following:
  - Extend the server from the rack.
  - Remove the server from the rack.
6. Remove the serial port blank:
  - a. Use a plastic spudger to pry the blank from the rear panel.
  - b. Remove the blank.



## Results

The removal procedure is complete. To replace the component, reverse this procedure.

## System battery replacement

If the server no longer automatically displays the correct date and time, then replace the battery that provides power to the real-time clock. Under normal use, battery life is 5–10 years.

### Subtopics

[System battery information](#)

## System battery information

The server contains an internal lithium manganese dioxide, a vanadium pentoxide, or an alkaline battery that provides power to the real-time clock.



### WARNING

If this battery is not properly handled, a risk of fire or burning exists. To reduce the risk of personal injury:

- Do not attempt to recharge the battery.
- Do not expose the battery to temperatures higher than 60°C (140°F).
- Do not expose the battery to low air pressure as it might lead to explosion or leakage of flammable liquid or gas.
- Do not disassemble, crush, puncture, short external contacts, or dispose of the battery in fire or water.

## Removing and replacing the system battery

### Prerequisites

Before you perform this procedure, make sure that you have a small flat-bladed, nonconductive tool available.

### About this task

[https://support.hpe.com/hpesc/public/videoDisplay?videoid=vpsg00005508en\\_us&noframe](https://support.hpe.com/hpesc/public/videoDisplay?videoid=vpsg00005508en_us&noframe)



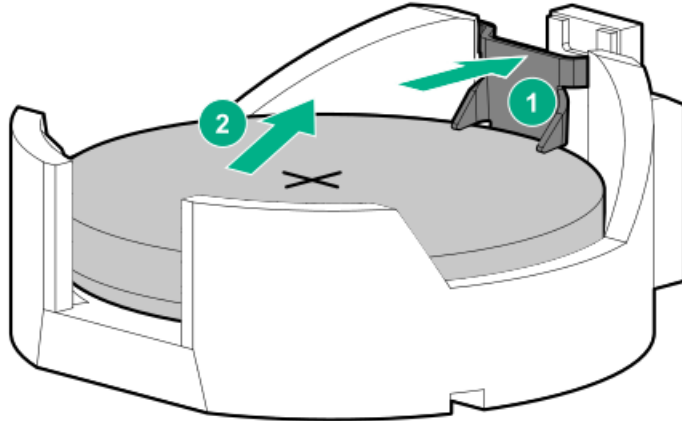
### IMPORTANT

After replacing the system battery and applying power, wait for 10 minutes before powering on the server. This lead time is required for the server to reset and reinitialize the iLO configuration settings stored in SRAM.

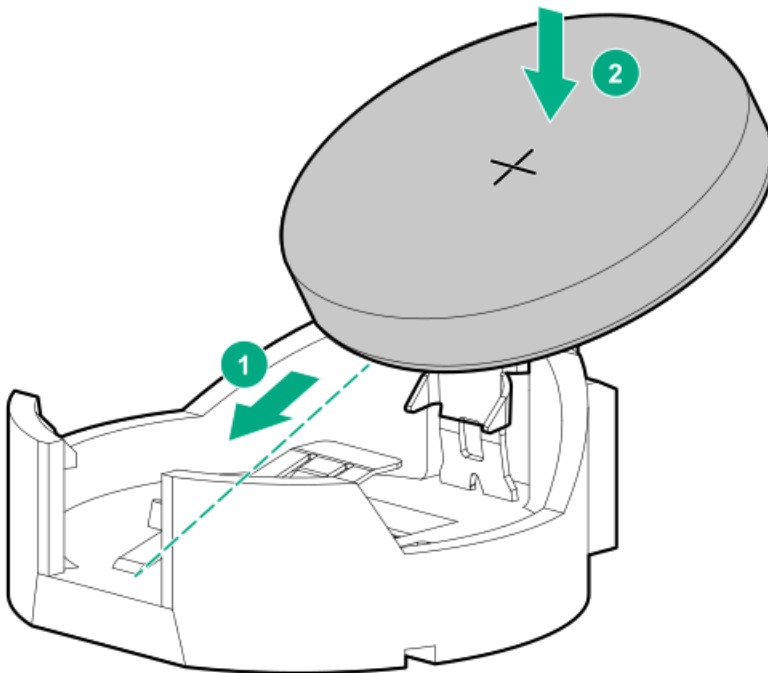
### Procedure

1. Power down the server.
2. Remove all power:
  - a. Disconnect each power cord from the power source.
  - b. Disconnect each power cord from the server.
3. Disconnect all peripheral cables from the server.
4. Do one of the following:
  - If the server is in tower mode, place the server on a flat, level surface with the access panel facing up.
  - If the server is in rack mode, remove the server from the rack.
5. Unlock the front bezel.

6. Remove the access panel.
7. If installed, remove the secondary riser cage.
8. Locate the battery on the system board.
9. Remove the system battery:
  - a. Use a small flat-bladed, nonconductive tool to press the battery latch.
  - b. Remove the system battery from the socket.



10. Install the system battery:
  - a. With the side of the battery showing the "+" sign facing up, insert the battery into the socket.
  - b. Press the system battery down until it clicks into place.



11. Install the secondary riser cage.
12. Install the access panel.
13. Do one of the following:



- Orient the server back in tower mode.
  - Install the server into the rack.
14. Connect all peripheral cables to the server.
  15. Connect each power cord to the server.
  16. Connect each power cord to the power source.
  17. Wait for 10 minutes for the server to reset and reinitialize the iLO configuration settings stored in SRAM.



#### IMPORTANT

If iLO security is disabled, the configuration will not be restored. To restore the configuration manually, see <https://www.hpe.com/support/hpeilodocs-quicklinks>.

18. Power up the server.
19. Properly dispose of the old battery.

For more information about proper battery disposal, contact an authorized reseller or an authorized service provider.

## Results

The removal procedure is complete. To replace the component, reverse this procedure.

## System board assembly replacement

### Subtopics

[Removing the system board](#)

[Installing the system board](#)

[Re-entering the server serial number and product ID](#)

## Removing the system board

### Prerequisites

- [Perform a backup of critical server data.](#)
- Before you perform this procedure, make sure that you have the following items available:
  - T-15 Torx screwdriver
  - T-30 Torx screwdriver

### About this task



#### WARNING

To reduce the risk of personal injury from hot surfaces, allow the drives and the internal system components to cool before touching them.



#### CAUTION

A discharge of static electricity from a finger or other conductor might damage system boards or other static-sensitive devices. To prevent damage, observe [antistatic precautions](#).

## Procedure

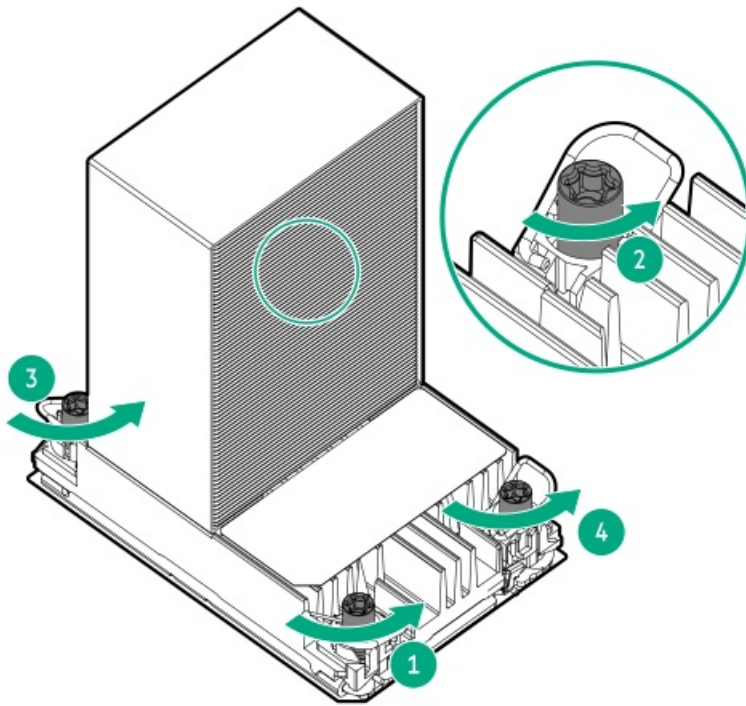
1. Power down the server.
2. Remove all power:
  - a. Disconnect each power cord from the power source.
  - b. Disconnect each power cord from the server.
3. Disconnect all peripheral cables from the server.
4. Do one of the following:
  - If the server is in tower mode, place the server on a flat, level surface with the access panel facing up.
  - If the server is in rack mode, remove the server from the rack.
5. Unlock the front bezel.
6. Remove the access panel.
7. Allow all internal system components to cool before continuing.
8. Remove the fan cage.
9. Disconnect all cables from the expansion cards, riser boards, and the system board.
10. Do the following:
  - Remove the primary riser cage.
  - Remove the secondary riser cage.
11. Remove all DIMMs.
12. If installed, remove the following components:
  - Type-o storage controller
  - OCP NIC 3.0 adapter
13. Remove the cable clamps.
14. Loosen one pair of diagonally opposite screws, and then loosen the other pair of screws.



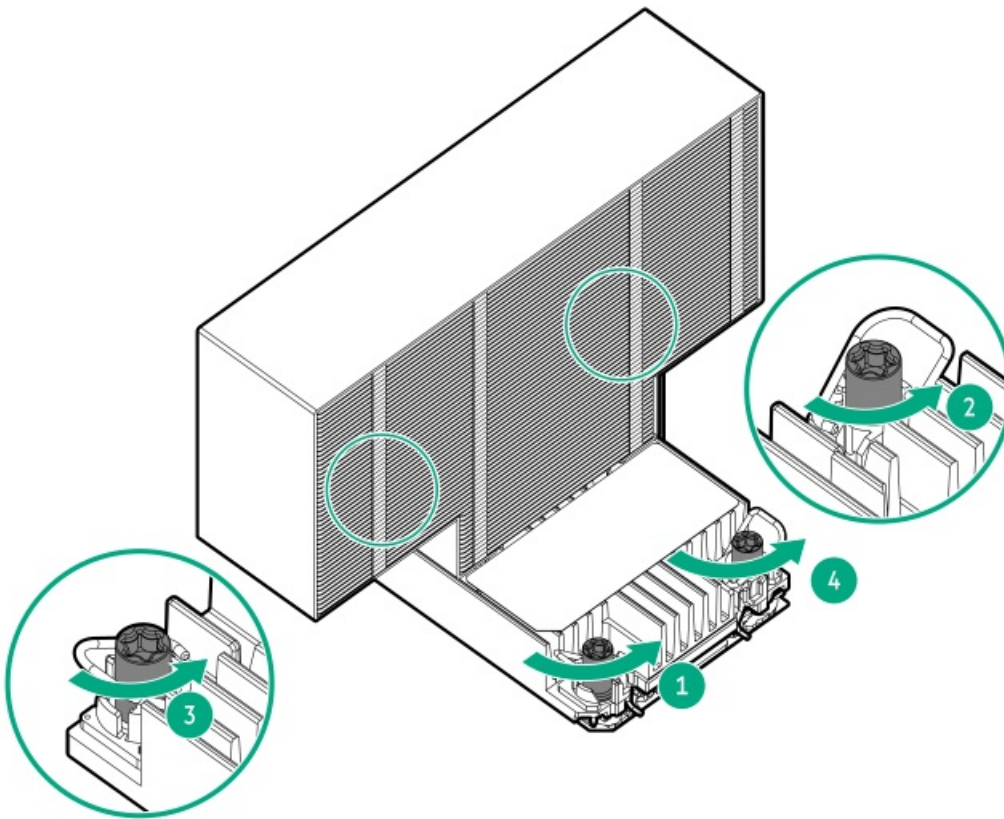
### CAUTION

Heatsink screws must be tightened and loosened in alternating sequence. Do not overtighten the screws as this might damage the system board or the processor socket.

- Standard heatsink



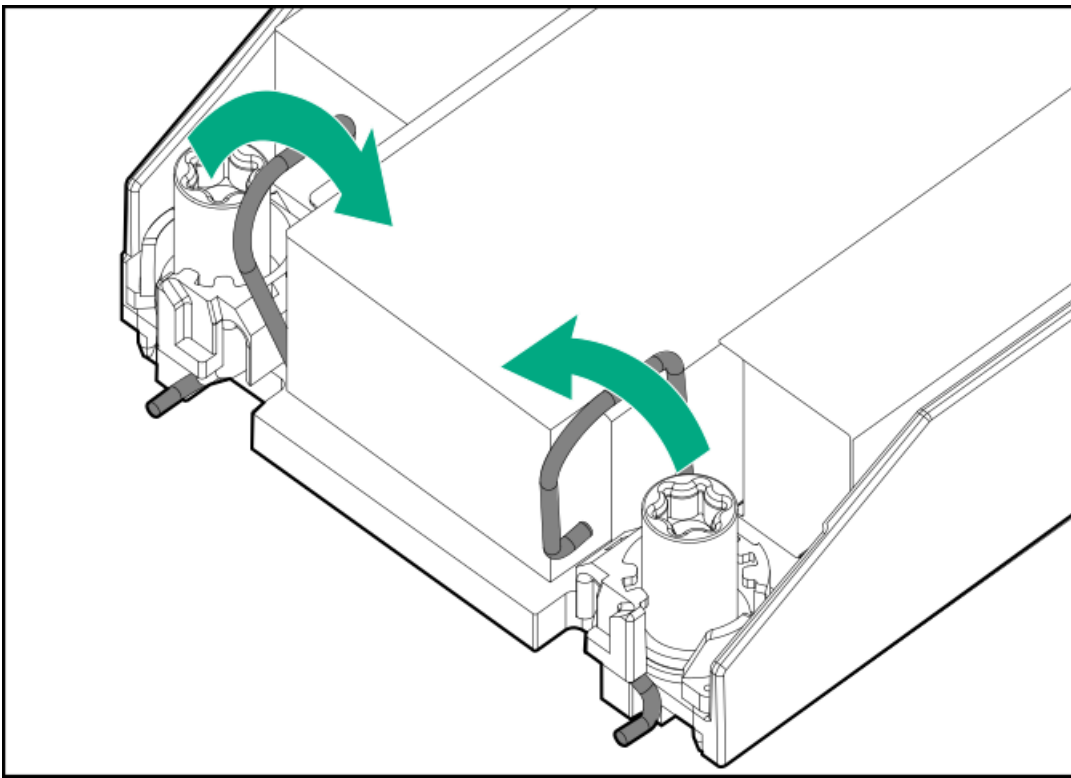
- Performance heatsink



15. Set the anti-tilt wires to the unlocked position.







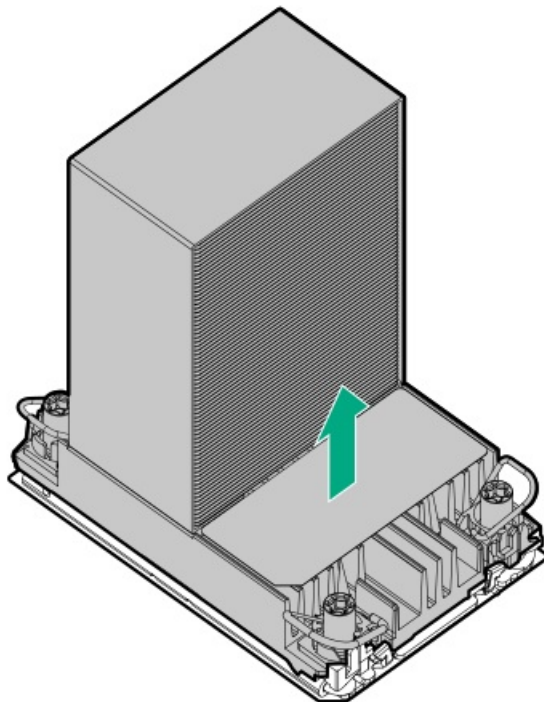
16. Lift the processor-heatsink module straight up from the system board.



**CAUTION**

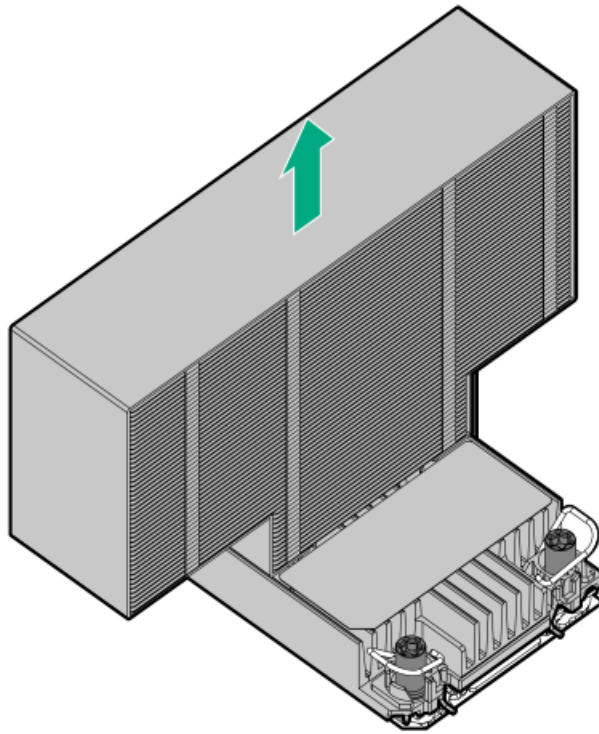
To prevent mechanical damage or depositing oil on your hands or other contaminants to the heatsink contact surface, hold the heatsink only by the edge of its base plate. Do not touch the heatsink fins.

- Standard heatsink



- Performance heatsink

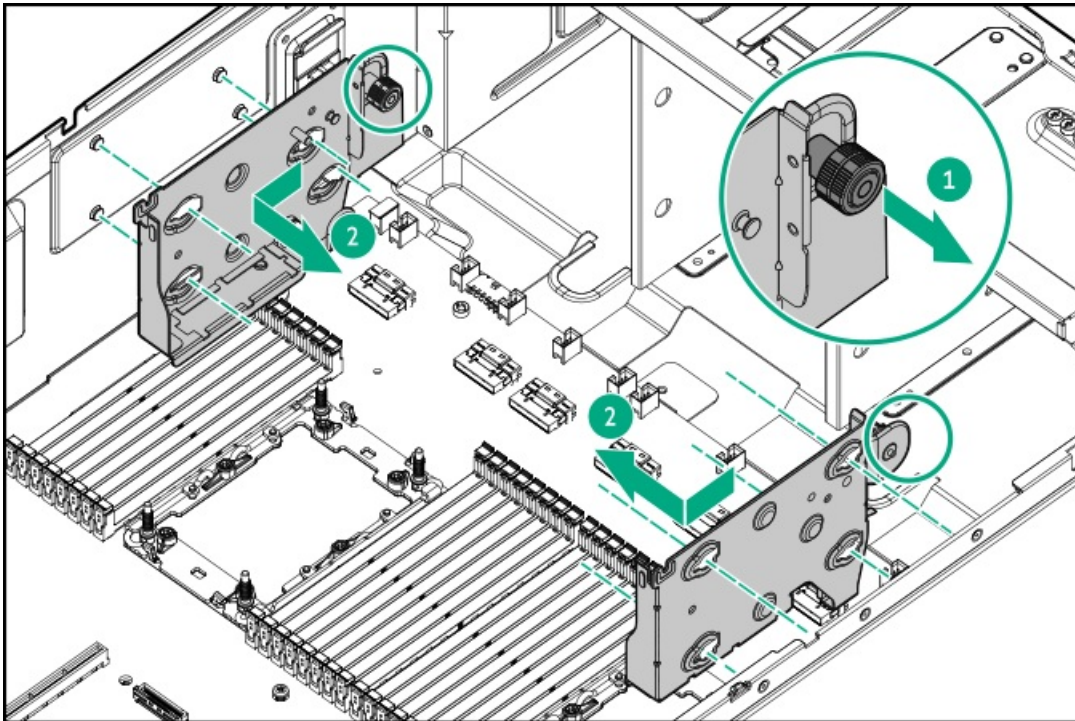




17. Place the processor-heatsink module on a flat work surface with its contact side facing up.

18. Remove the fan cage bracket:

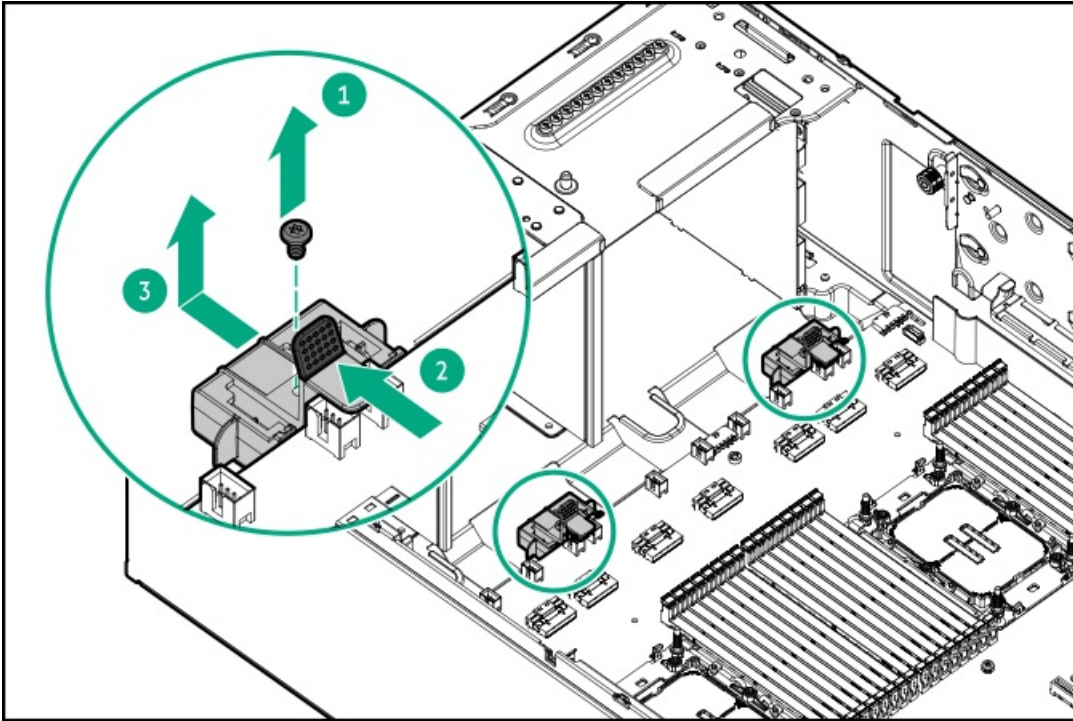
- a. Retract and hold the spring plunger.
- b. Slide the bracket towards the front of the chassis to release it.



19. Remove the system board latches:

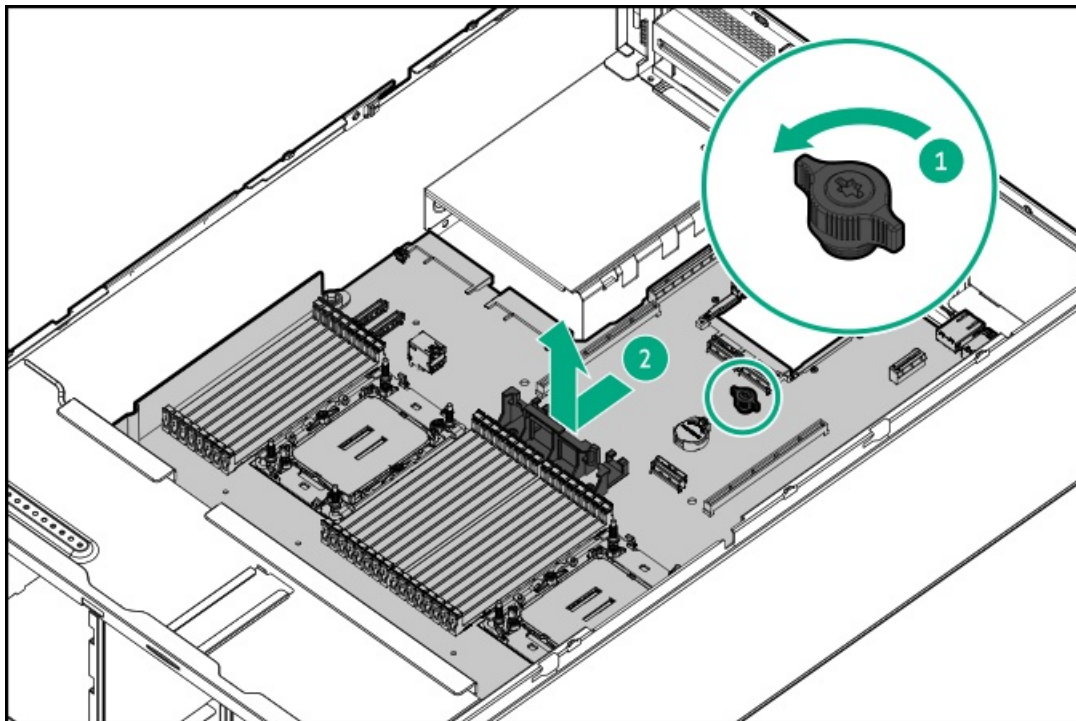
- a. Remove the latch screw.

- b. Press and hold the release tab, and then remove the latch from the system board.



- 20. Remove the system board assembly:

- a. Loosen the system board thumbscrew.
- b. Use the system board handle and thumbscrew to remove the system board from the rear panel.



## Installing the system board

### Prerequisites

Before you perform this procedure, make sure that you have the following items available:

- Torque screwdriver with T-30 Torx bit
- T-15 Torx screwdriver
- Thermal grease (spare part number: 777298-001)
- Hex screwdriver—This tool is required only if the serial port cable is to be installed.

## About this task

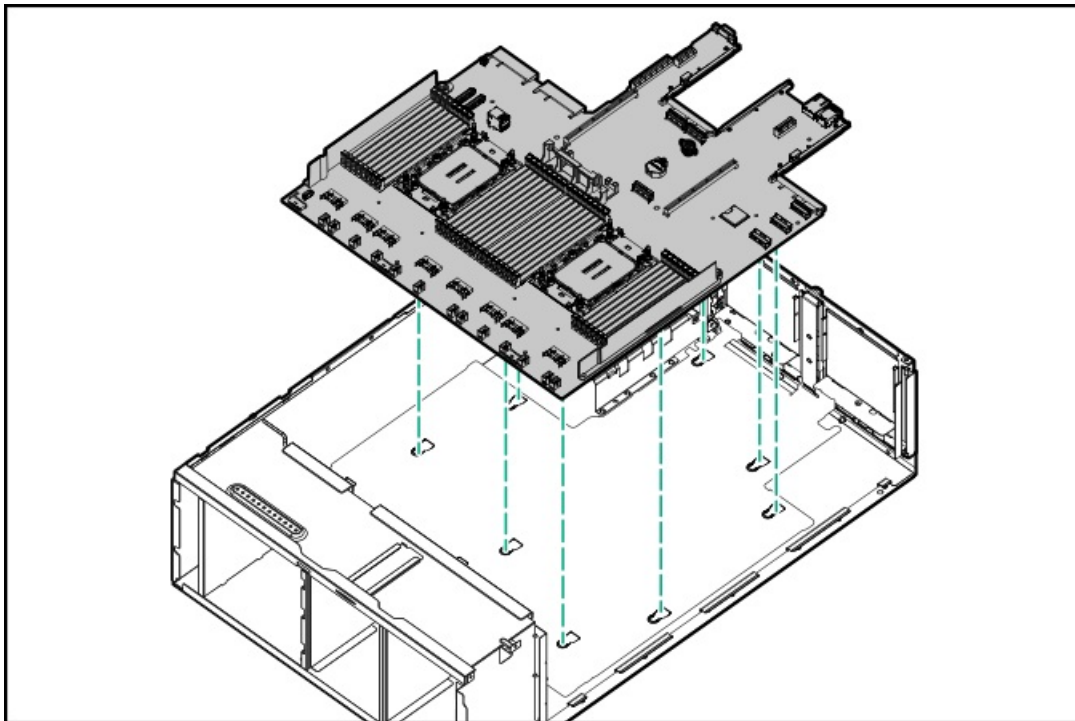


### CAUTION

A discharge of static electricity from a finger or other conductor might damage system boards or other static-sensitive devices. To prevent damage, observe [antistatic precautions](#).

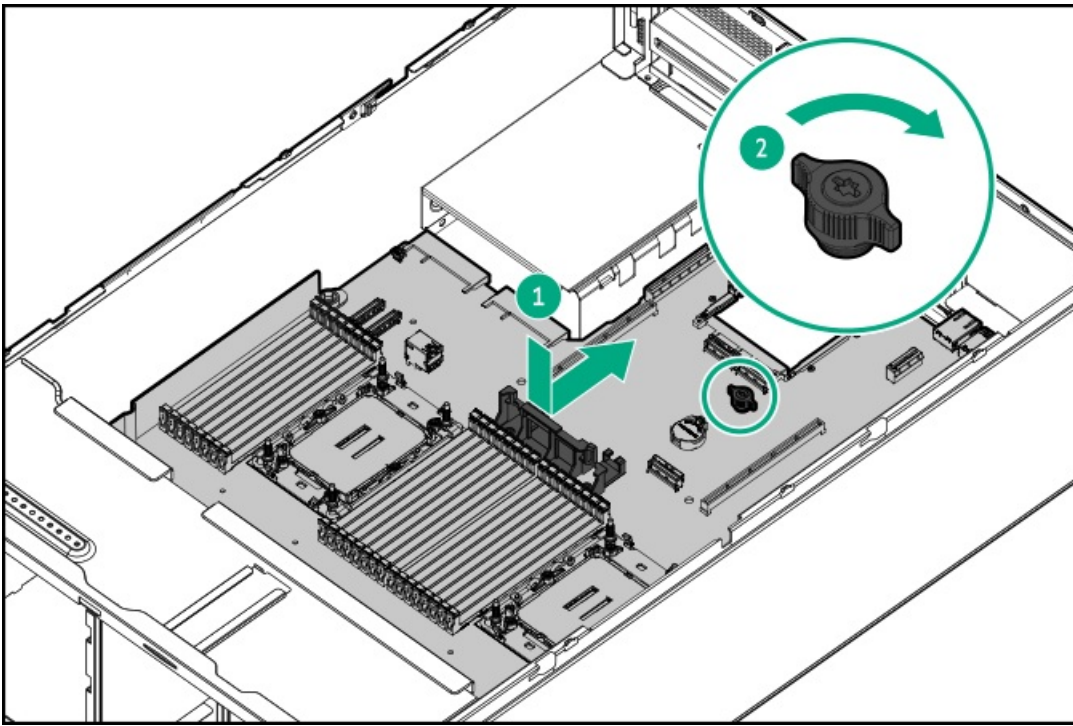
## Procedure

1. Position the new system board over the alignment tabs on the chassis.



2. Install the new system board assembly:
  - a. Insert the system board on the rear side of the chassis.
  - b. Tighten the captive screw.





3. Do the following:

- Install the system board latches.
- Install the fan cage brackets.

4. Remove the dust cover from the processor socket:

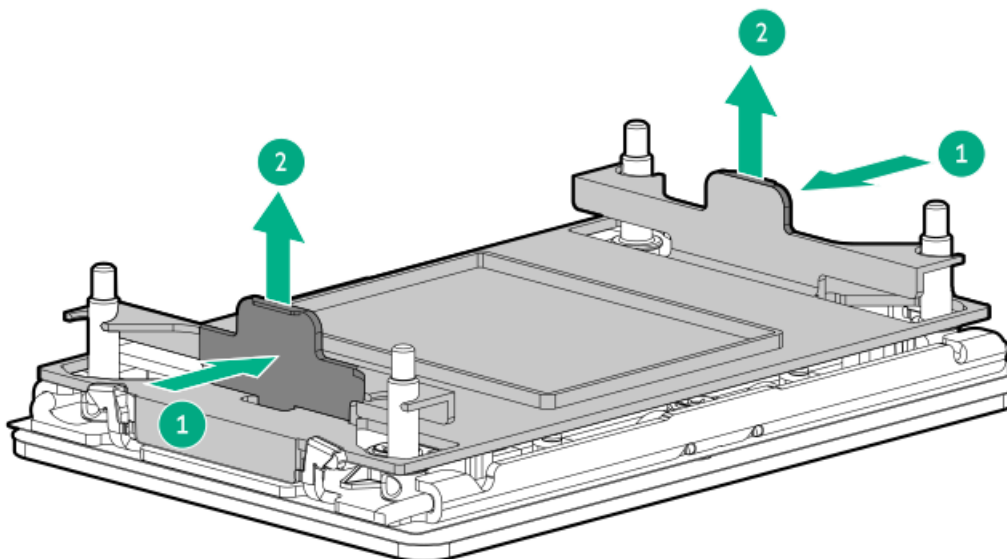


**CAUTION**

Do not press down on the dust cover. Pressing down on the dust cover might damage the processor socket.

- a. Press and hold the grip tabs on the dust cover.
- b. Lift the dust cover away from the bolster plate.

Retain the cover for future use.



5.  **CAUTION**

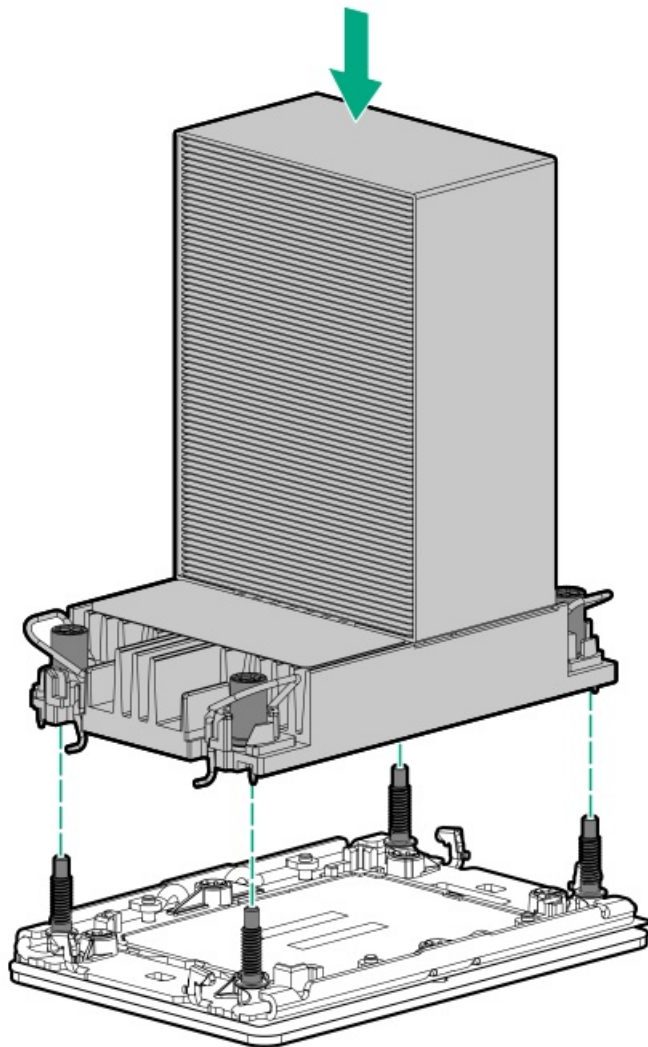
To prevent thermal failure or component damage, do not move the heatsink once the bottom of its base plate touches the top of the processor. Excessive heatsink movement can cause the thermal grease to smear and become uneven. Voids in the compound can adversely impact the transfer of heat away from the processor.

Install the processor-heatsink module:

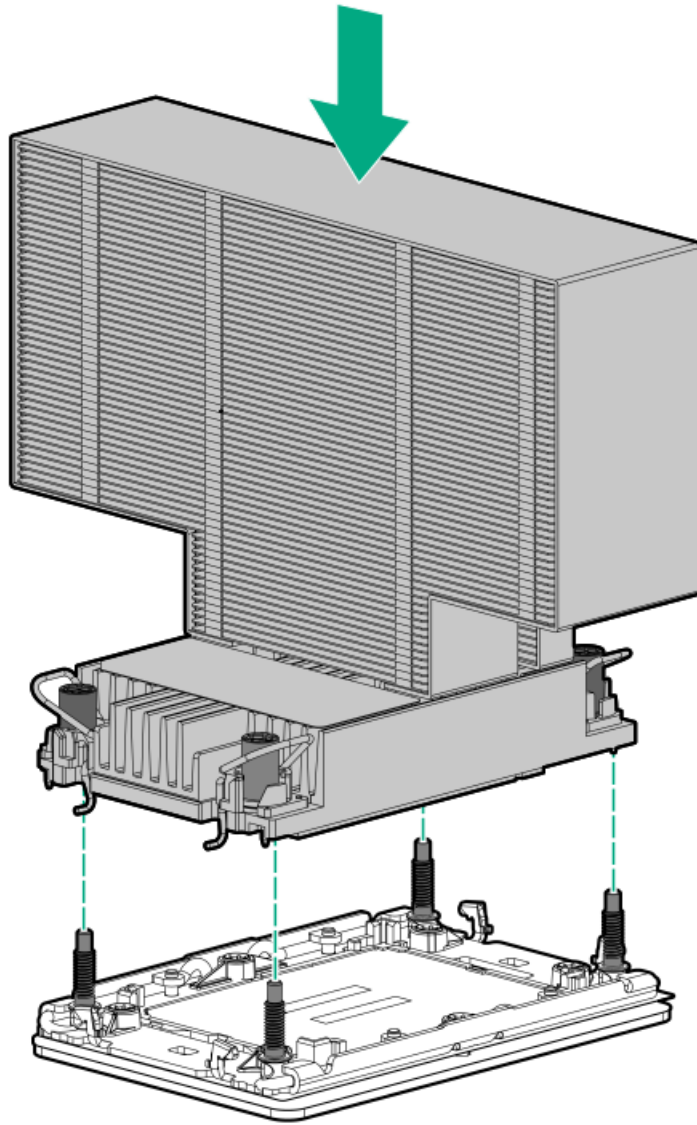
- a. When using a torque wrench to tighten the heatsink screws, set 0.9 N-m (8 in-lb) of torque .
- b. Note the **Front of server** text on the heatsink label to correctly orient the processor-heatsink module over the bolster plate.
- c. Carefully lower the processor-heatsink module straight down onto the bolster plate guide posts.

The posts are keyed so that the module can only be installed one way. Make sure that the module is properly seated on the bolster plate before securing the screws.

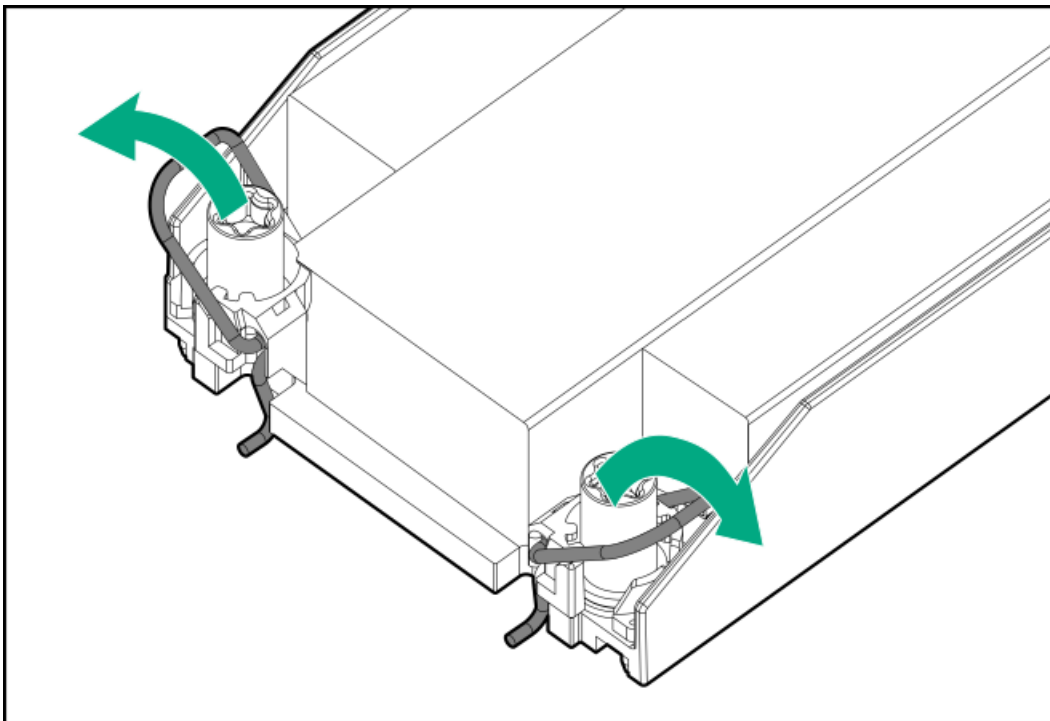
- Standard heatsink



- Performance heatsink

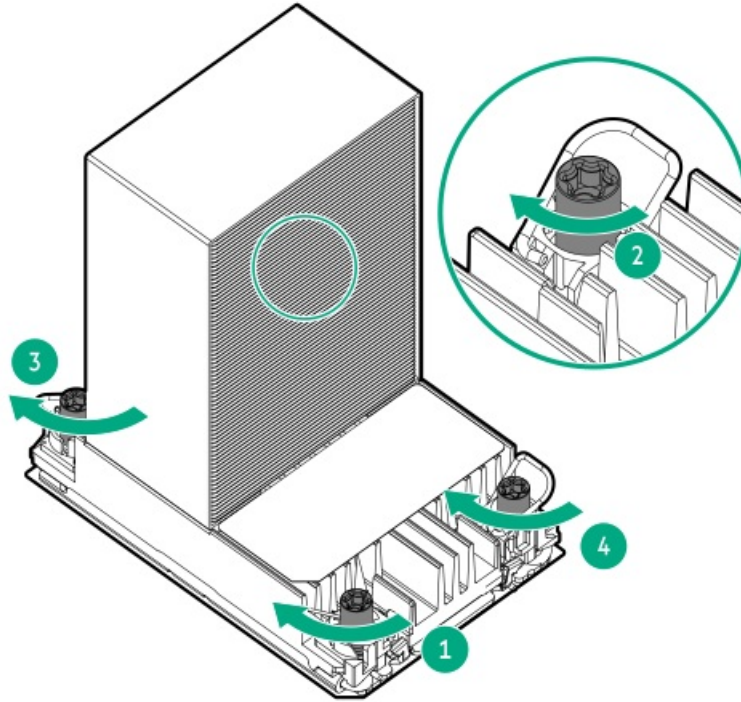


d. Set the anti-tilt wires to the locked position.

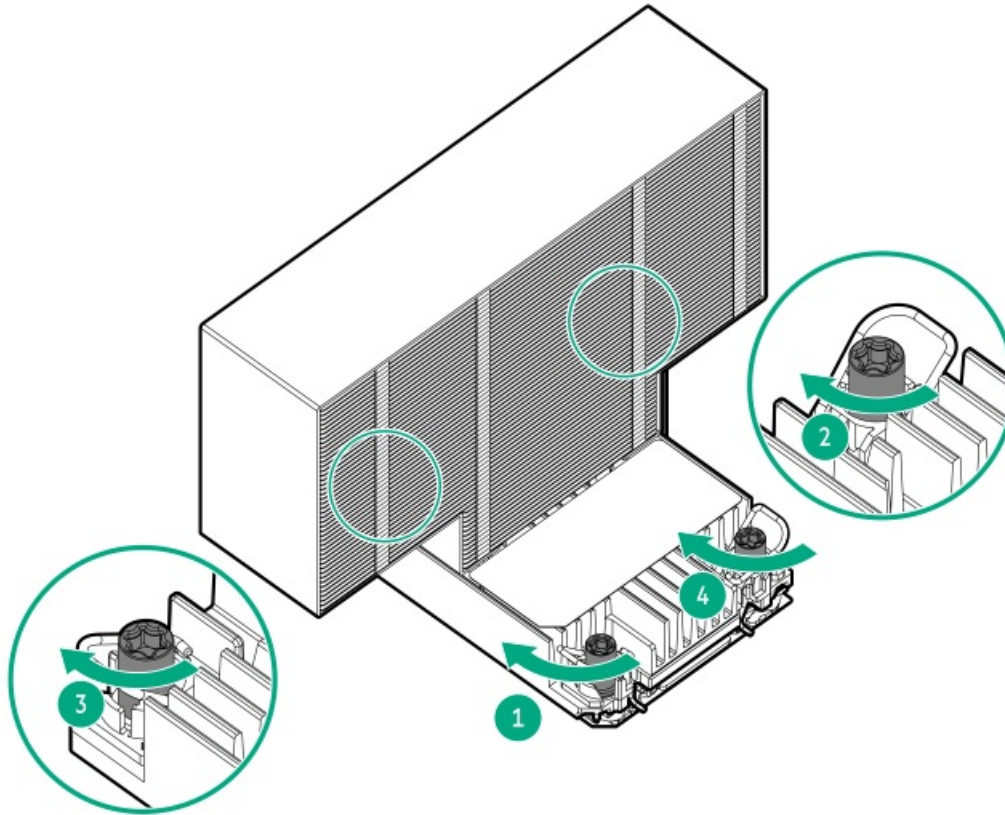


e. Tighten one pair of diagonally opposite heatsink screws, and then tighten the other pair of heatsink screws.

- Standard heatsink



- Performance heatsink



6. Install all removed components on the new system board.
7. Install the fan cage.
8. Install the access panel.



9. Lock the front bezel.
10. Do one of the following:
  - Orient the server back in tower mode.
  - Install the server into the rack.
11. Connect all peripheral cables to the server.
12. Connect each power cord to the server.
13. Connect each power cord to the power source.
14. Power up the server.
15. Make sure all firmware, including option cards and embedded devices, is updated to the same versions to ensure that the latest drivers are being used.
16. Re-enter any Secure Boot keys that were previously added in the Secure Boot configuration.
17. Re-enter the server serial number and product ID.
18. Reconfigure the date and time settings.

## Results

The replacement procedure is complete.

## Re-entering the server serial number and product ID

### About this task

After replacing the system board, re-enter the system serial number and product ID, and then configure the date and time settings.

### Procedure

1. Access the UEFI System Utilities. During POST, press **F9**.
2. From the System Utilities screen, select **System Configuration > BIOS/Platform Configuration (RBSU) > Advanced Options > Advanced Service Options**.
3. Select **Serial Number**, and then press **Enter**.

The following warning appears:

```
The serial number is modified by qualified service personnel and must match the serial number located on the chassis.
```

4. Click **OK**.
5. Type the serial number, and then press **Enter**.
6. Select **Product ID**, and then press **Enter**.

The following warning appears:

```
Product ID is modified only by qualified service personnel. This value must match the product ID located on the chassis.
```

7. Type the product ID, and then press **Enter**.
8. From the System Utilities screen, select **System Configuration > BIOS/Platform Configuration (RBSU) > Date and Time**.
9. Reconfigure the system date and time settings.

## Results

The installation procedure is complete.

## Troubleshooting

### Subtopics

[NMI functionality](#)

[Troubleshooting resources](#)

## NMI functionality

An NMI crash dump enables administrators to create crash dump files when a system is not responding to traditional debugging methods.

An analysis of the crash dump log is an essential part of diagnosing reliability problems, such as hanging operating systems, device drivers, and applications. Many crashes freeze a system, and the only available action for administrators is to cycle the system power. Resetting the system erases any information that could support problem analysis, but the NMI feature preserves that information by performing a memory dump before a hard reset.

To force the OS to initiate the NMI handler and generate a crash dump log, the administrator can use the iLO Generate NMI feature.

## Troubleshooting resources

Troubleshooting resources are available for HPE Gen11 server products in the following documents:

- Troubleshooting Guide for HPE ProLiant Gen11 servers provides procedures for resolving common problems and comprehensive courses of action for fault isolation and identification, issue resolution, and software maintenance.

<https://www.hpe.com/info/gen11-troubleshooting>

- Integrated Management Log Messages for HPE ProLiant Gen10, Gen10 Plus, and Gen11 servers and HPE Synergy provides IML messages and associated troubleshooting information to resolve critical and cautionary IML events.

<https://www.hpe.com/info/Troubleshooting-IML-en>

## Component identification

This chapter describes the external and internal server features and components.

### Subtopics

[Front panel components](#)

[Front panel LEDs and button](#)

[Rear panel components](#)

[Rear panel LEDs](#)

[Component touchpoints](#)

[System board components](#)

[Internal components](#)

[Riser board components](#)

[Riser slot numbering](#)

[HPE Basic Drive LED definitions](#)

[EDSFF SSD LED definitions](#)

[Drive bay numbering](#)

[Drive backplane naming](#)

[Fan bay numbering](#)

[Media device screws](#)

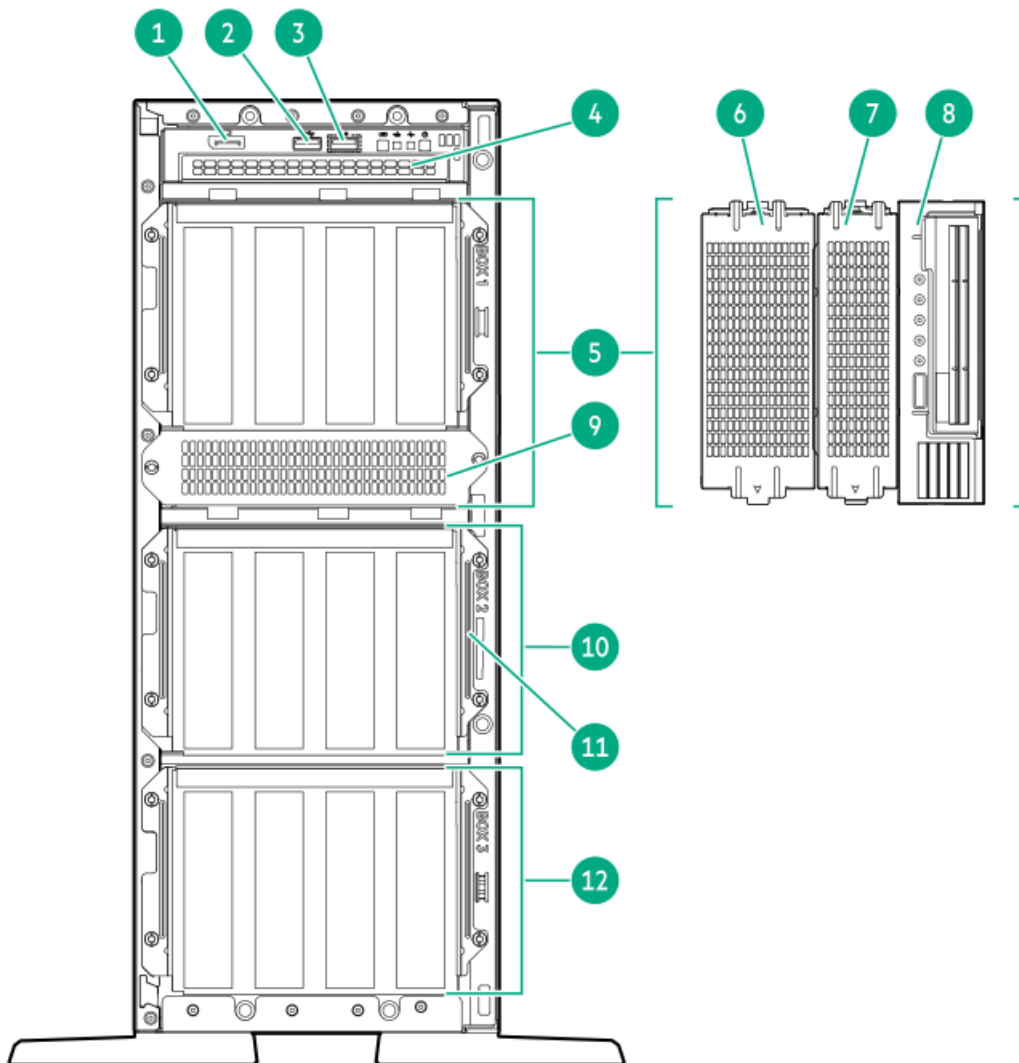
[Trusted Platform Module 2.0](#)

[HPE NS204i-u Boot Device components](#)

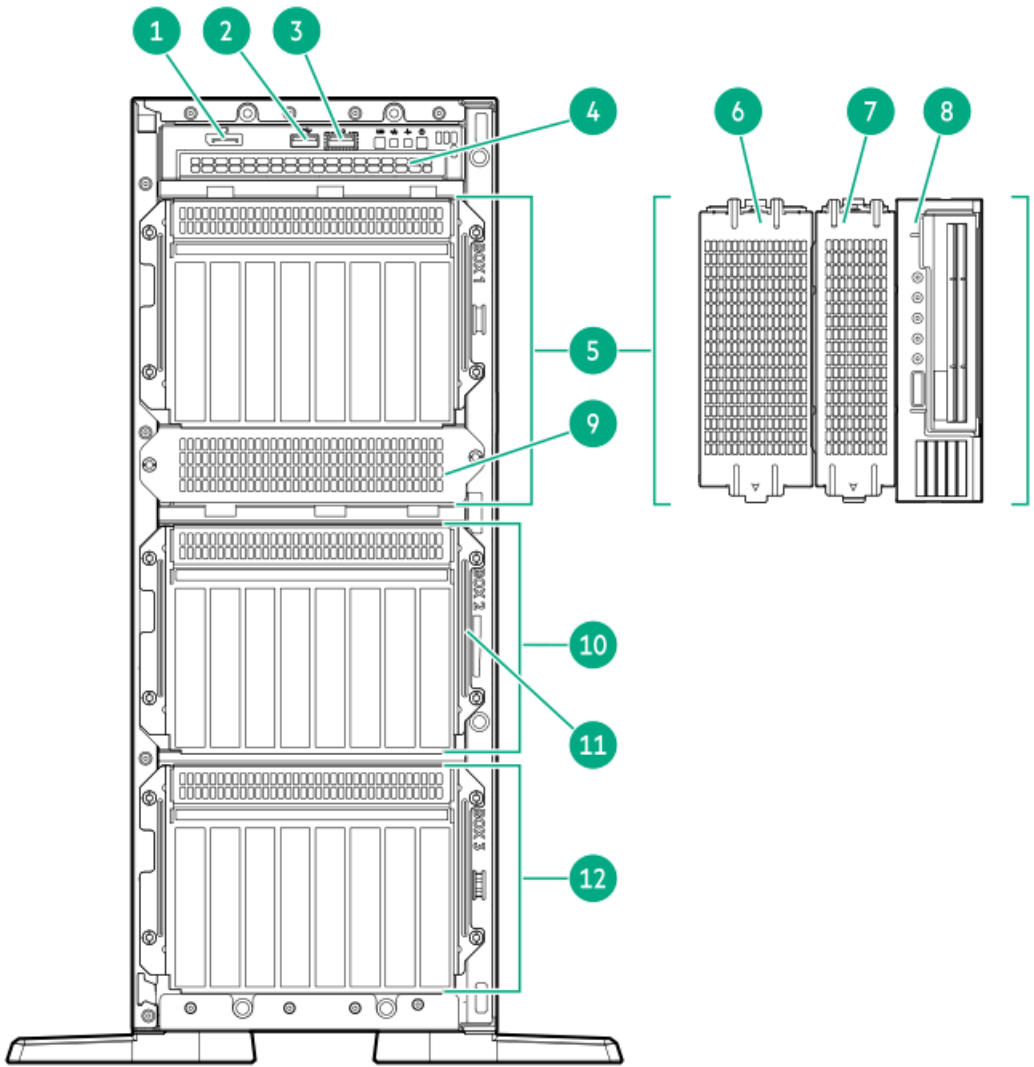
[HPE NS204i-u Boot Device LED definitions](#)

## Front panel components

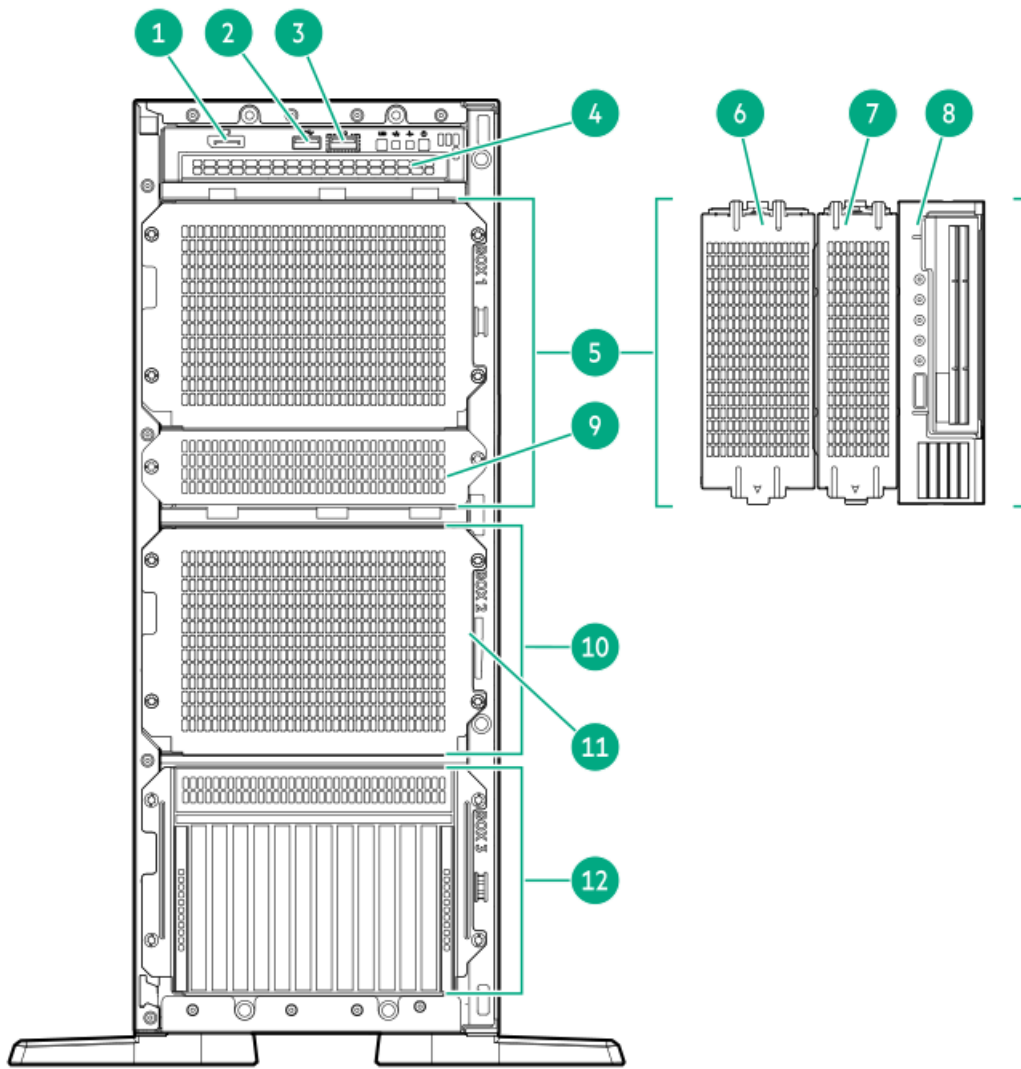
### 4/8/12 LFF drive configuration



### 8/16/24 SFF drive configuration



12 E3.S drive configuration



Item	Description
1	DisplayPort 1.1a
2	USB 3.2 Gen 1 port
3	iLO service port
4	Optical drive bay
5	Box 1 <sup>1 2</sup>
6	Full-height media bay blank
7	Media bay 2 <sup>3</sup>
8	Media bay 1 <sup>4</sup>
9	Media bay filler panel
10	Box 2 <sup>1 2</sup>
11	Serial number/iLO information pull tab <sup>5</sup>
12	Box 3 <sup>1 6 7</sup>

- <sup>1</sup> All three boxes support LFF and SFF drive cage options. This server supports mixed LFF + SFF hot-plug drive configurations. The x1 NVMe drives are supported in Box 1–2.
- <sup>2</sup> Media bay 2 supports a USB RDX docking station.
- <sup>3</sup> Media bay 1 supports a SAS LTO drive or a USB RDX docking station.
- <sup>4</sup> The serial number/iLO information pull tab is double-sided. One side shows the server serial number and the customer asset tag label. The other side shows the default iLO account information.
- <sup>5</sup> E3.S drives are supported in Box 3. When the E3.S drives are installed, LFF/SFF drives are not supported in Boxes 1 and 2. Two processors are required for E3.S drive installation.
- <sup>6</sup>

- Z The x1 and x4 NVMe drives are supported in Box 3. The x4 NVMe drive backplane cannot be installed with other drive backplane types.

## Subtopics

### iLO Service Port

## iLO Service Port

The Service Port is a USB port with the label **iLO** on supported servers and compute modules.

To find out if your server or compute module supports this feature, see the server specifications document at the following website:  
<https://www.hpe.com/info/quickspecs>.

The Service Port is a USB port with the label **iLO** on the front of the server.

To find out if your server supports this feature, see the server specifications document at the following website:  
<https://www.hpe.com/info/quickspecs>.

When you have physical access to a server, you can use the Service Port to do the following:

- Download the Active Health System Log to a supported USB flash drive.

When you use this feature, the connected USB flash drive is not accessible by the host operating system.

- Connect a client (such as a laptop) with a supported USB to Ethernet adapter to access the following:
  - iLO web interface
  - Remote console
  - iLO RESTful API
  - CLI

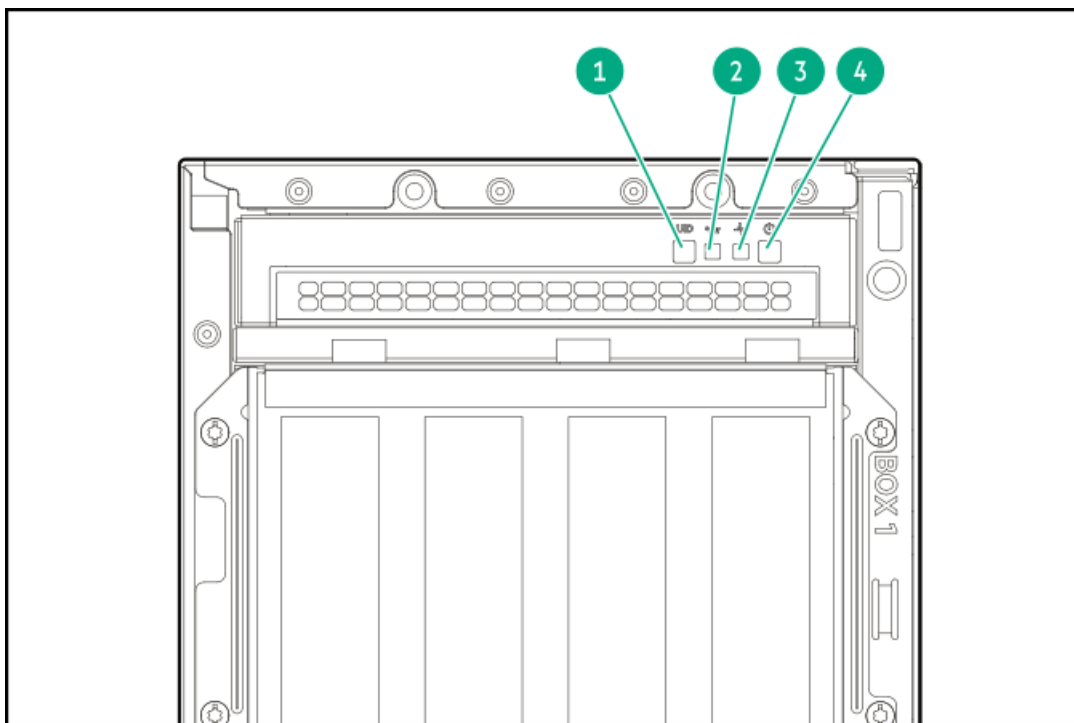
When you use the iLO Service Port:

- Actions are logged in the iLO event log.
- The server UID flashes to indicate the Service Port status.

You can also retrieve the Service Port status by using a REST client and the iLO RESTful API.

- You cannot use the Service Port to boot any device within the server, or the server itself.
- You cannot access the server by connecting to the Service Port.
- You cannot access the connected device from the server.

## Front panel LEDs and button



Item	Description	Status	Definition
1	UID button/LED <sup>1</sup>	Solid blue	Activated
		Flashing blue	<ul style="list-style-type: none"> <li>1 flash per second—Remote management or firmware upgrade in progress</li> <li>4 flashes per second—iLO manual reboot sequence initiated</li> <li>8 flashes per second—iLO manual reboot sequence in progress</li> </ul>
		Off	Deactivated
2	NIC status LED <sup>1</sup>	Solid green	Linked to network
		Flashing green	Network active
		Off	No network activity
3	Health LED <sup>1</sup>	Solid green	Normal
		Flashing green	iLO is rebooting
		Flashing amber	System degraded <sup>2</sup>
		Flashing red	System critical <sup>2</sup>
4	Power On/Standby button and system power LED <sup>1</sup>	Solid green	System on
		Flashing green	Performing power-on sequence
		Solid amber	System in standby
		Off	No power present <sup>3</sup>

<sup>1</sup> When all LEDs described in this table flash simultaneously, a power fault has occurred. For more information, see [Front panel LED power fault codes](#).

<sup>2</sup> If the health LED indicates a degraded or critical state, review the system [Integrated Management Log \(IML\)](#) or use [HPE iLO](#) to review the [system health status](#).

<sup>3</sup> Facility power is not present, power cord is not attached, no power supplies are installed, power supply failure has occurred, or the front I/O cable is disconnected.

## Subtopics

### [Server UID LED](#)



## Server UID LED

The UID LED can be used to help an on-site technician quickly identify or locate a particular server when it is deployed in a dense rack with other equipment. It can also be used to identify if a remote management, firmware upgrade, or reboot sequence is in progress.

## Using the UID button to view the Server Health Summary

### Prerequisites

- An external monitor is connected.
- In the iLO web interface, the Show Server Health on External Monitor feature is enabled on the Access Settings page.

### About this task

Use the UID button to display the iLO Server Health Summary screen on an external monitor. This function works when the server is powered on or off. Use this feature for troubleshooting if the server will not start up.



#### CAUTION

Press and release the UID button. Holding it down at any time for more than five seconds initiates a graceful iLO reboot or a hardware iLO reboot. Data loss or NVRAM corruption might occur during a hardware iLO reboot.

### Procedure

1. Press and release the UID button.

The Server Health Summary screen is displayed on the external monitor. For more information, see the iLO troubleshooting guide:

<https://www.hpe.com/support/hpeilodocs-quicklinks>

2. Press the UID button again to close the Server Health Summary screen.

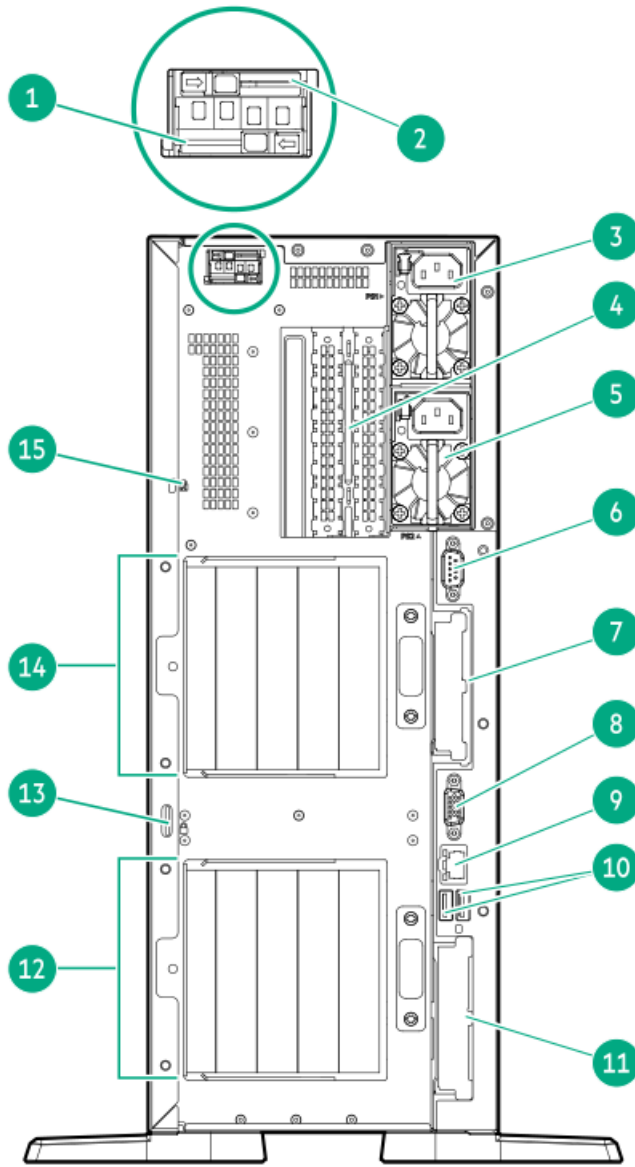
## Front panel LED power fault codes

The following table provides a list of power fault codes, and the subsystems that are affected. Not all power faults are used by all servers.

<b>Subsystem</b>	<b>LED behavior</b>
System board	1 flash
Processor	2 flashes
Memory	3 flashes
Riser board PCIe slots	4 flashes
FlexibleLOM	5 flashes
Storage controller	6 flashes
System board PCIe slots	7 flashes
Power backplane	8 flashes
Storage backplane	9 flashes
Power supply	10 flashes
PCIe expansion cards installed in riser board	11 flashes
Chassis	12 flashes
GPU card	13 flashes

## Rear panel components





Item	Description
1	NS204i-u device slot 1 (optional)
2	NS204i-u device slot 2 (optional)
3	Flexible Slot power supply 1
4	Slots 9–10 PCIe5 x8 (tertiary riser) <sup>1</sup>
5	Flexible Slot power supply 2 (optional)
6	VGA port
7	Slot 15 OCP PCIe5 x16 <sup>2</sup>
8	Serial port (optional)
9	iLO dedicated network port
10	USB 3.2 Gen 1 ports (2)
11	Slot 14 OCP PCIe5 x16 <sup>3</sup>
12	Slots 1–4 PCIe5 (primary riser) <sup>4</sup>
13	Padlock eye
14	Slots 5–8 PCIe5 (secondary riser) <sup>1, 4</sup>
15	Kensington security slot

- 1 The PCIe signal from the secondary and tertiary risers requires that two processors are installed.
- 2 This slot supports an OCP NIC adapter.
- 3 This slot supports an OCP NIC adapter or a type-o storage controller.
- 4 Primary/secondary riser cage supports two riser boards.

## Subtopics

### Display device setup

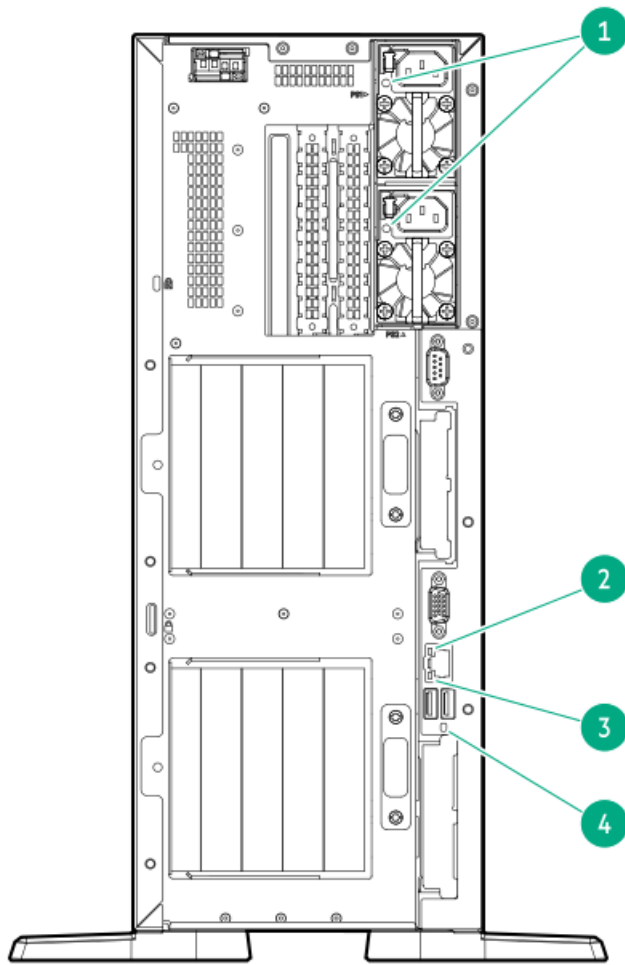
## Display device setup

The server supports both VGA port and DisplayPort 1.1a. Before connecting a display device, observe following:

- Display output modes:
  - If you connect two display devices to the server using both the VGA port and DisplayPort, the same image is mirrored on both devices.
  - The embedded video controller in the iLO chipset does not support dual display or screen extension mode. To enable dual display, install a compatible graphics card.
- When using HDMI or DVI adapters for the DisplayPort, use an active-type adapter. Passive-type adapters marked with the DP++ symbol are not supported.

Whenever possible, use the same display connection type. For example, if your monitor only has a VGA port, use the VGA port on the server. Using other adapters or converter cables or dongles might lead to decreased display quality or a lag over the connection.

## Rear panel LEDs



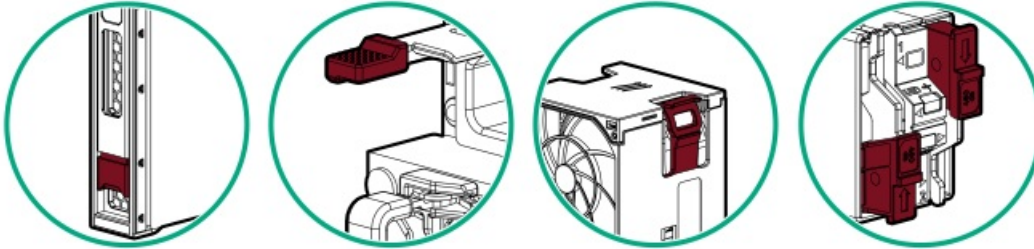
Item	Description	Status	Definition
1	Power supply	Solid green	The power supply is operating normally.
		Off	One or more of the following conditions exists: <ul style="list-style-type: none"> <li>• Power is unavailable.</li> <li>• Power supply failure</li> <li>• Power supply is in standby mode.</li> <li>• Power supply error</li> <li>• Front I/O cable is disconnected.</li> </ul>
2	iLO status	Solid green	Linked to network
		Flashing green	Network active
		Off	No network activity
3	iLO link	Solid green	Network link
		Off	No network link
4	UID	Solid blue	Activated
		Flashing blue	<ul style="list-style-type: none"> <li>• 1 flash per second—Remote management or firmware upgrade in progress</li> <li>• 4 flashes per sec—iLO manual reboot sequence initiated</li> <li>• 8 flashes per sec—iLO manual reboot sequence in progress</li> </ul>
		Off	Deactivated

## Component touchpoints

Certain components are color-coded. These colors represent the recommended touch areas for a removal process and indicate whether components require a system shutdown before removal.

The following diagrams are examples only.

### HPE hot-plug red

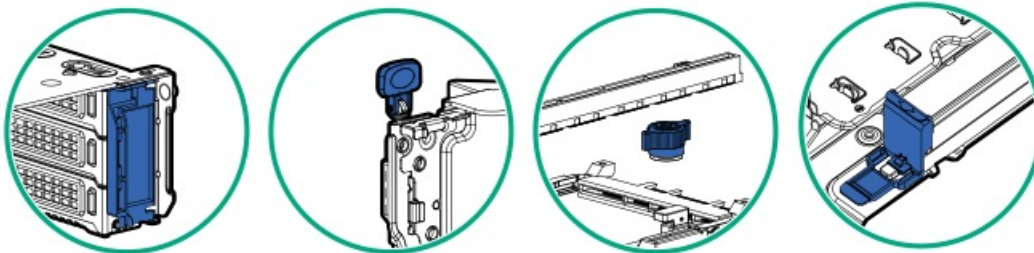


Hot-plug red indicates hot-pluggable components. These components can be removed and installed while the system is running, and doing so will not result in a system shutdown.

Component examples:

- Power supplies in a redundant power configuration
- Hot-plug fans
- Hot-plug drives
- M.2 SSDs in a hot-plug boot device

### HPE touchpoint blue

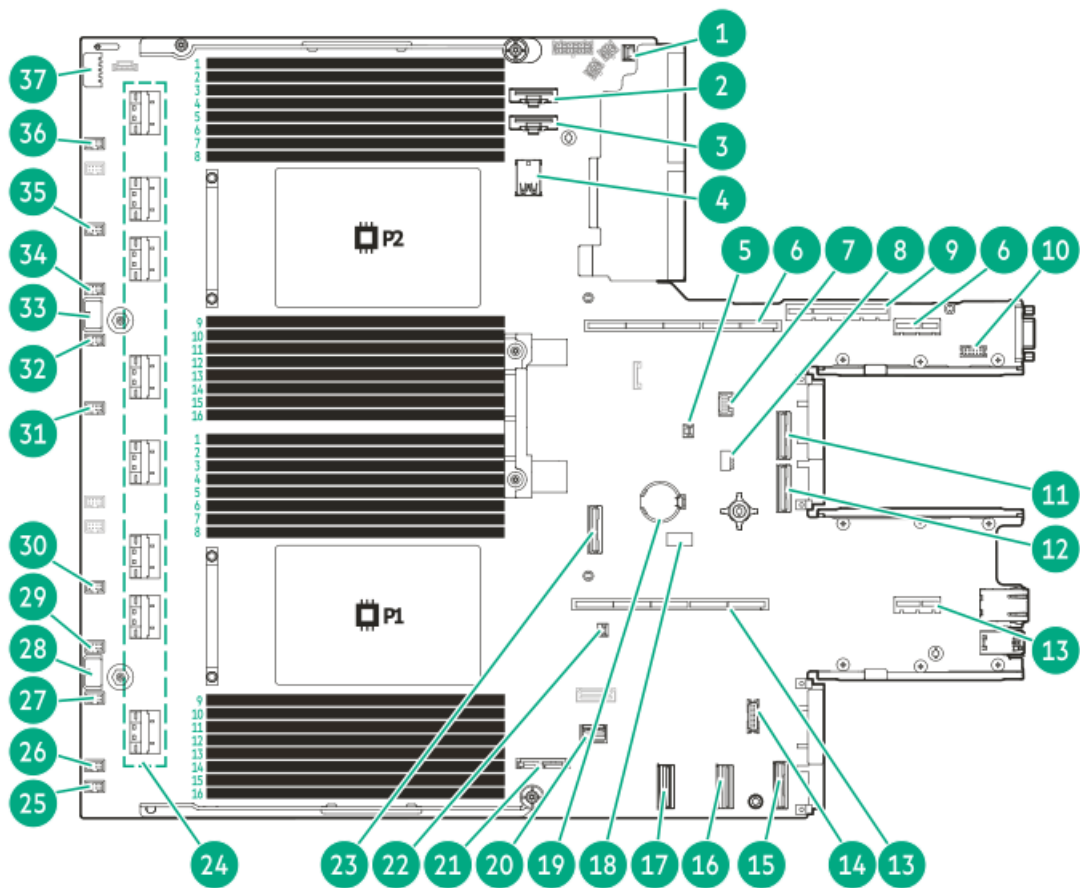


Touchpoint blue indicates cold-pluggable components. These components require a system shutdown. Failure to do so might result in system failure or data loss. Cold-pluggable components might also indicate touchpoints on non-electrical components.

Component examples:

- Storage devices
- Fan cages
- System boards
- Energy packs

## System board components



Item	Description
1	Chassis intrusion detection switch connector
2	CPU 2 MCIO port 2
3	CPU 2 MCIO port 1
4	Stacked, dual USB ports <sup>1</sup>
5	Slot 15 OCP storage backup power connector
6	Secondary riser connectors
7	Energy pack connector
8	NS204i-u power connector
9	Tertiary riser sideband connector
10	Serial port connector
11	Slot 15 OCP port 1
12	Slot 15 OCP port 2
13	Primary riser connectors
14	DisplayPort connector
15	Slot 14 OCP port 2
16	PCH LP SlimSAS port 2 <sup>2</sup>
17	PCH LP SlimSAS port 1 <sup>2</sup>
18	<u>System maintenance switch</u>
19	System battery
20	Front I/O & USB 3.2 Gen 1 port connector
21	Optical drive SATA-power connector
22	Slot 14 OCP storage backup power connector
23	CPU 1 MCIO port 1
24	SlimSAS x8 ports <sup>3</sup>
25	Fan connector 10
26	Fan connector 4
27	Fan connector 8
28	Drive box 3 power connector
29	Fan connector 7
30	Fan connector 3
31	Fan connector 2
32	Fan connector 6
33	Drive box 2 power connector
34	Fan connector 5
35	Fan connector 1
36	Fan connector 9
37	Drive box 1 power connector

<sup>1</sup> Top = USB 3.2 Gen 1 port, Bottom = USB 2.0 port  
Used for SATA 6 Gb/s connections

<sup>2</sup> The SlimSAS ports are numbered 1B-4B, 1A-4A from top to bottom. B is for CPU 2 and A is for CPU 1.

<sup>3</sup>

## Subtopics



## System maintenance switch descriptions

Position	Default	Function
S1 <sup>1</sup>	Off	<ul style="list-style-type: none"><li>Off—iLO 6 security is enabled.</li><li>On—iLO 6 security is disabled.</li></ul>
S2	Off	Reserved
S3	Off	Reserved
S4	Off	Reserved
S5 <sup>1</sup>	Off	<ul style="list-style-type: none"><li>Off—Power-on password is enabled.</li><li>On—Power-on password is disabled.</li></ul>
S6 <sup>1, 2, 3</sup>	Off	<ul style="list-style-type: none"><li>Off—No function</li><li>On—Restore default manufacturing settings</li></ul>
S7	Off	Reserved
S8	Off	Reserved
S9	Off	Reserved
S10	Off	Reserved
S11	Off	Reserved
S12	Off	Reserved

- <sup>1</sup> To access the redundant ROM, set S1, S5, and S6 to On.
- <sup>2</sup> When the system maintenance switch position 6 is set to the On position, the system is prepared to restore all configuration settings to their manufacturing defaults.
- <sup>3</sup> When the system maintenance switch position 6 is set to the On position and Secure Boot is enabled, some configurations cannot be restored. For more information, see [Configuring the server](#).

## DIMM label identification

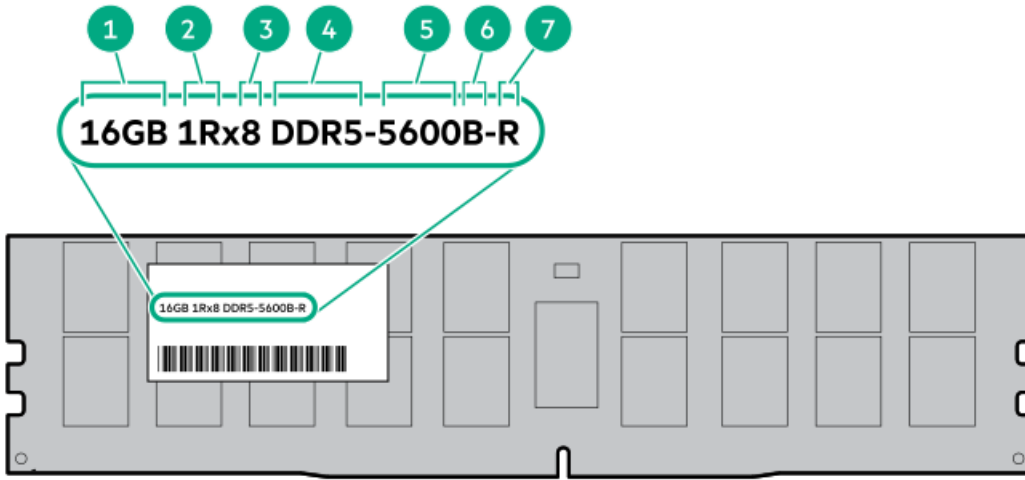
To determine DIMM characteristics, see the label attached to the DIMM. The information in this section helps you to use the label to locate specific information about the DIMM.

For more information about:

- Product features, specifications, options, configurations, and compatibility, see the [HPE DDR5 SmartMemory QuickSpecs](#).
- Memory speed and server-specific DIMM population rules for HPE servers using 4th and 5th Gen Intel Xeon Scalable Processors, see the relevant memory technical paper.

Both resources can be found on the Hewlett Packard Enterprise website:

<https://www.hpe.com/docs/server-memory>

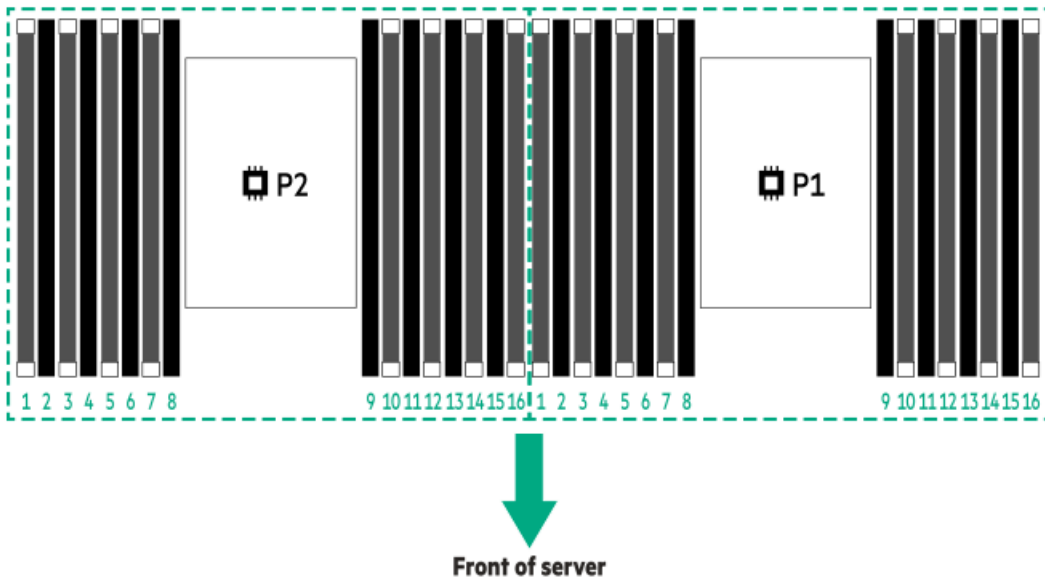


Item	Description	Example
1	Capacity <sup>1</sup>	16 GB 32 GB 64 GB 96 GB 128 GB 256 GB
2	Rank	1R—Single rank 2R—Dual rank 4R—Quad rank 8R—Octal rank
3	Data width on DRAM	x4—4-bit x8—8-bit
4	Memory generation	PC5—DDR5
5	Maximum memory speed <sup>1</sup>	4800 MT/s 5600 MT/s 6400 MT/s
6	CAS latency	B—42-42-42 B—50-42-42 (for 128 GB and 256 GB capacities)
7	DIMM type	E—UDIMM (unbuffered with ECC) R—RDIMM (registered)

<sup>1</sup> The maximum memory speed and capacity is a function of the memory type, memory configuration, and processor model.

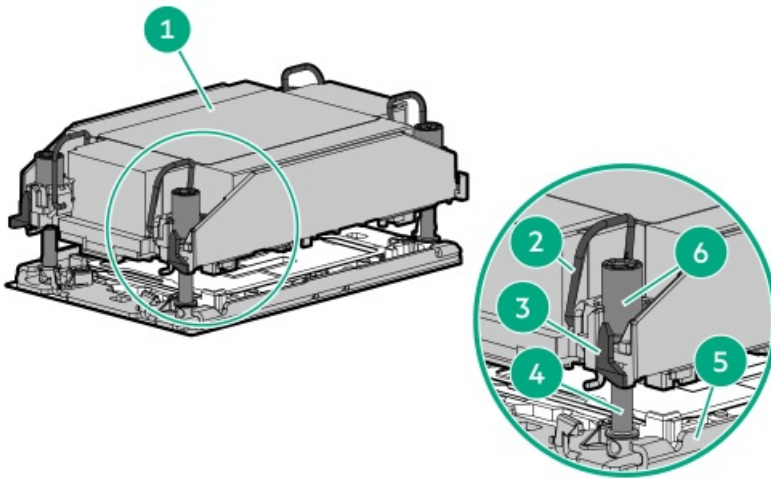
## DIMM slot numbering

The arrow points to the front of the server.



## Heatsink and processor socket components

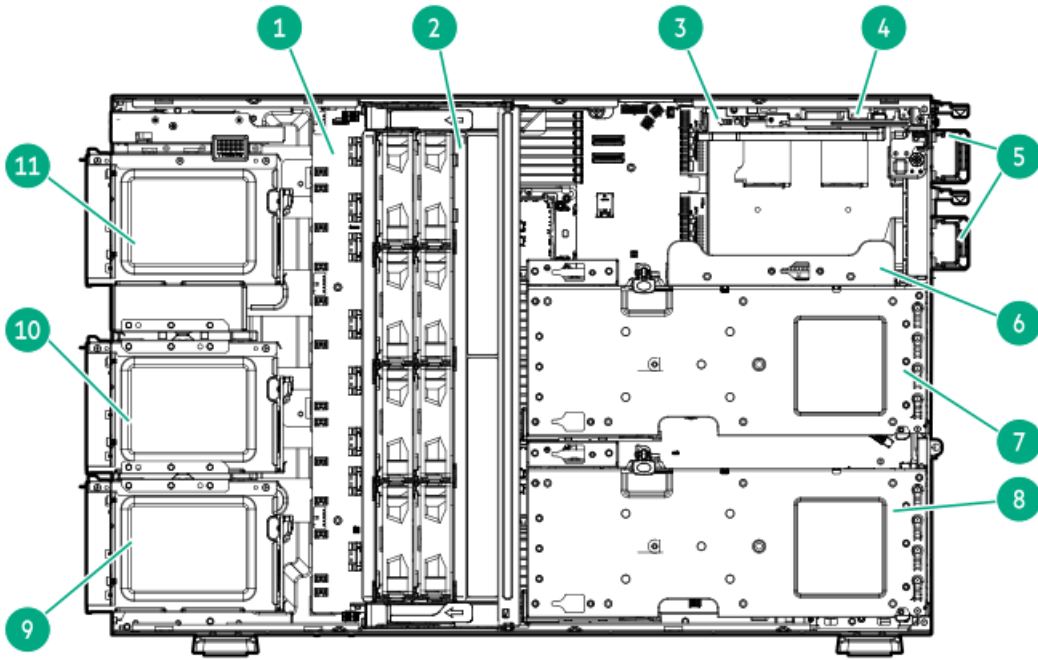
A standard heatsink is shown. Your heatsink might look different.



Item	Description
1	Processor-heatsink module *
2	Anti-tilt wires
3	Processor carrier release tabs
4	Bolster plate guide posts
5	Bolster plate
6	Heatsink screws

\* This module consists of the heatsink attached to the processor that is already secured in its carrier.

## Internal components

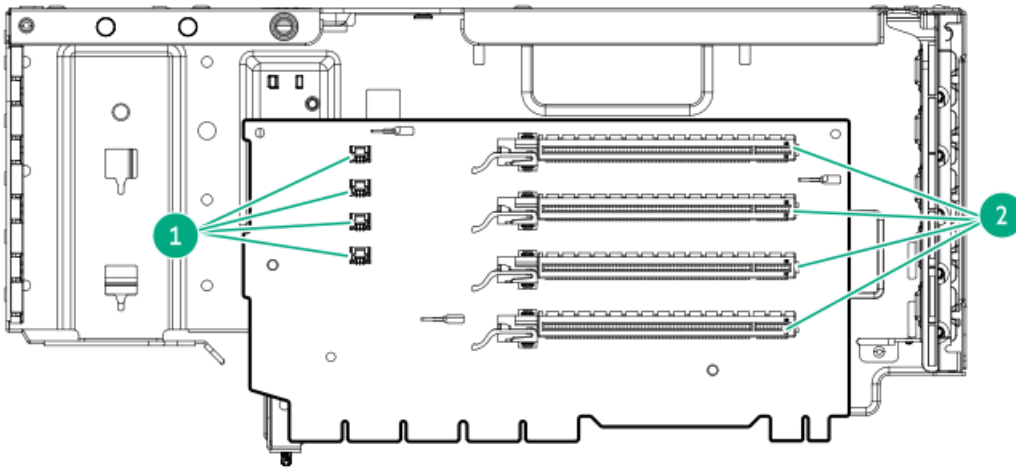


Item	Description
1	System board
2	Fan cage
3	Energy pack
4	NS204i-u device
5	Flexible Slot power supply (2)
6	Tertiary riser
7	Secondary riser cage
8	Primary riser cage
9	Box 3
10	Box 2
11	Box 1

## Riser board components

The PCIe5 4 x8 and PCIe5 2 x16 riser options can be installed in either the primary or the secondary riser location. This server supports mixed PCIe5 4 x8 + 2 x16 risers.

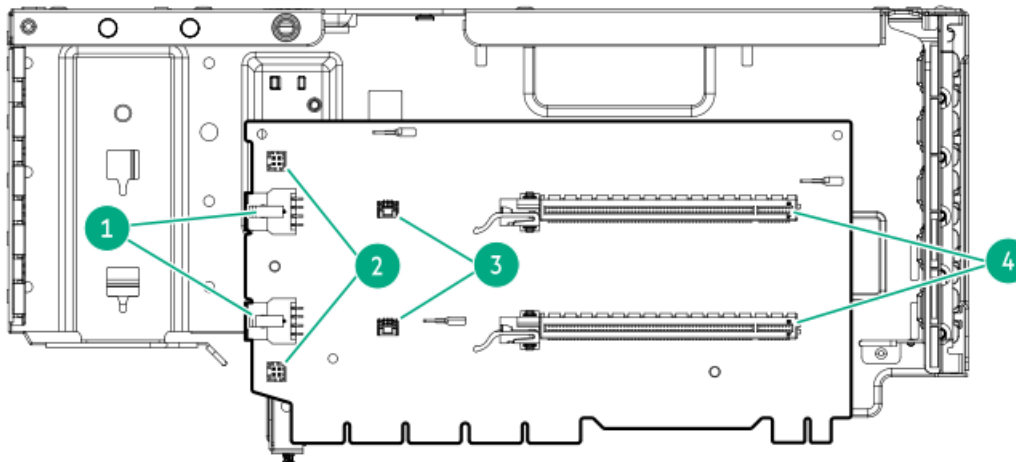
## PCIe5 4 x8 riser components



**Item Description**

- 1 Storage controller backup power connectors
- 2 PCIe5 x16 (8, 4, 1) slots

**PCIe5 2 x16 riser components**

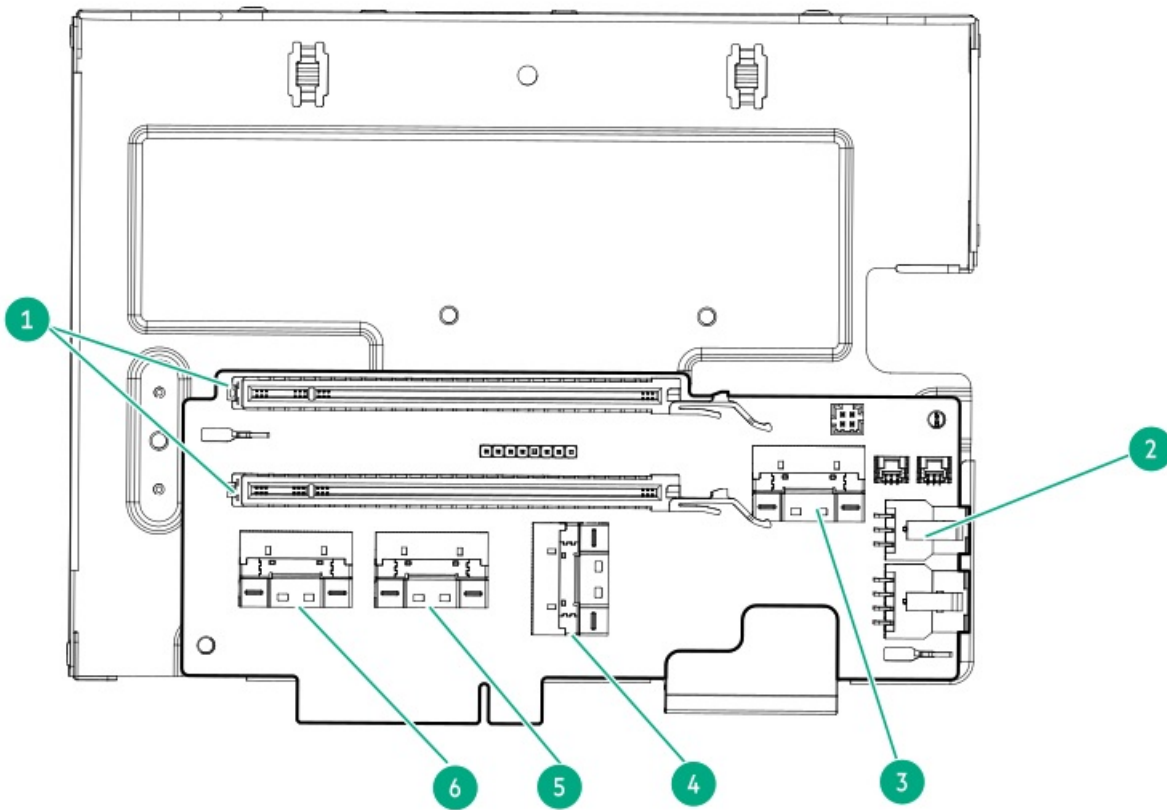


**Item Description**

- 1 GPU auxiliary power connectors
- 2 GPU sideband connectors
- 3 Storage controller backup power connectors
- 4 PCIe5 x16 (16, 8, 4, 1) slots

**Tertiary riser components**





#### Item Description

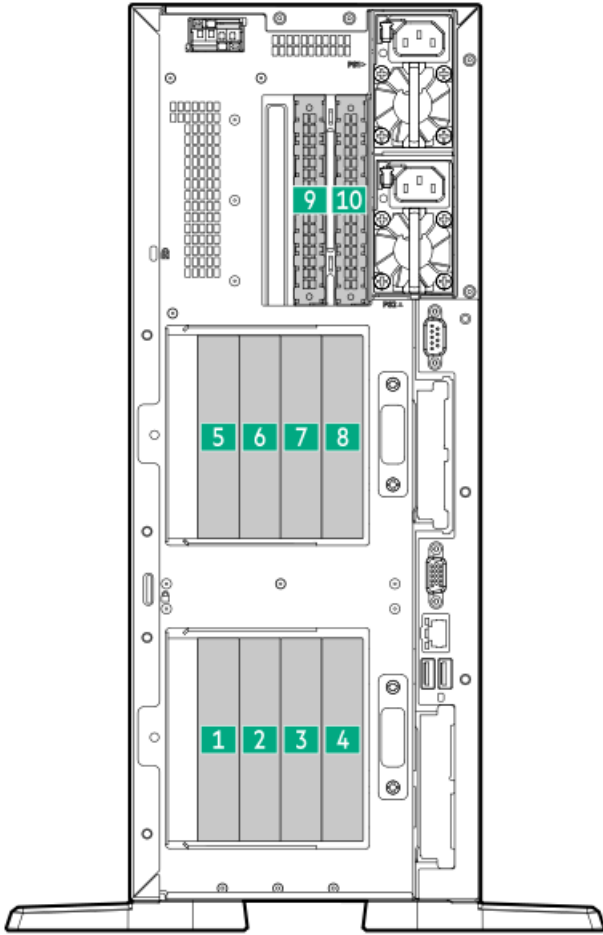
- |   |                                  |
|---|----------------------------------|
| 1 | PCIe5 x16 (8, 4, 1) slots        |
| 2 | LTO/RDX power connector          |
| 3 | PCIe SlimSAS port 2 <sup>1</sup> |
| 4 | PCIe SlimSAS port 4 <sup>1</sup> |
| 5 | PCIe SlimSAS port 3              |
| 6 | PCIe SlimSAS port 1              |

<sup>1</sup> Not for use in this server.

## Riser slot numbering

- Primary and secondary riser slots are PCIe5 x16 (16, 8, 4, 1) or PCIe5 x16 (8, 4, 1) .
- Tertiary riser slots are PCIe5 x16 (8, 4, 1).

All riser slots are rated for a maximum power draw of 75 W each without an auxiliary power cable.



Slot number	Location	Supported form factors
1	Primary riser cage	<ul style="list-style-type: none"> <li>• Full-height, full-length</li> <li>• Full-height, half-length</li> <li>• Half-height, half-length (low-profile)</li> </ul>
2 <sup>1</sup>		
3		
4 <sup>1</sup>		
5	Secondary riser cage	
6 <sup>1</sup>		
7		
8 <sup>1</sup>		
9	Tertiary riser	Half-height, half-length (low-profile)
10		

<sup>1</sup> This slot on the PCIe5 2 x16 riser board supports double-width GPUs.

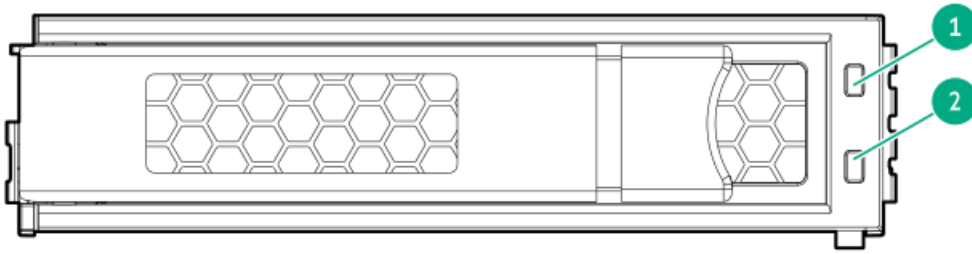
## HPE Basic Drive LED definitions

The HPE Basic drive carrier has the following LEDs:

- Amber/blue LED—Managed by the drive backplane in conjunction with the storage controller and is used to indicate drive status.
- Green LED—Managed by the drive itself and indicates the drive activity.

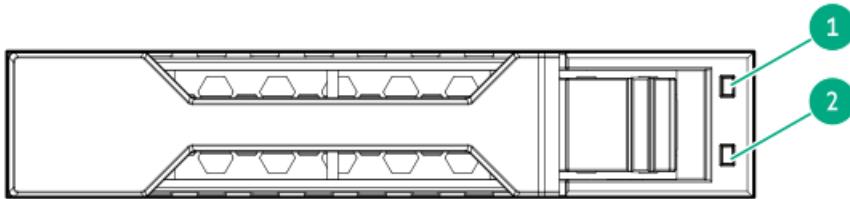
## LFF low-profile drive carrier

The LFF low-profile drive carrier supports hot-plug SAS and SATA drives.



## SFF basic drive carrier

The SFF basic drive carrier supports hot-plug SAS, SATA, and U.3 PCIe4 NVMe drives.





Item	LED	State	Definition
1	Fault/Locate	Solid amber	This drive has failed, is unsupported, or is invalid.
		Solid blue	The drive is operating normally and being identified by a management application.
		Flashing amber/blue (1 flash per second)	The drive has failed, or a predictive failure alert has been received for this drive. The drive has also been identified by a management application.
		Flashing amber (1 flash per second)	A predictive failure alert has been received for this drive. Replace the drive as soon as possible.
		Off	The drive is operating normally and not being identified by a management application.
2	Online/Activity	Solid green	The drive is online and has no activity.
		Flashing green (1 flash per second)	The drive is doing one of the following: <ul style="list-style-type: none"> <li>Rebuilding or performing a RAID</li> <li>Performing a stripe size migration</li> <li>Performing a capacity expansion</li> <li>Performing a logical drive extension</li> <li>Erasing</li> <li>Spare part activation</li> </ul>
		Flashing green (4 flashes per second)	The drive is operating normally and has activity.
		Off	The drive is not configured by a RAID controller or is a spare drive.

## EDSFF SSD LED definitions

This server supports hot-plug Enterprise and Data Center Standard Form Factor (EDSFF) drives, specifically, E3.S PCIe5 NVMe SSDs. The EDSFF drive carrier has two LEDs:

- Amber/blue LED—Managed by the drive backplane in conjunction with the storage controller and is used to indicate drive status.
- Green LED—Managed by the drive itself and indicates the drive activity.



Item	LED	State	Definition
1	Fault/Locate	Solid amber	This drive has failed, is unsupported, or is invalid.
		Solid blue	The drive is operating normally and being identified by a management application.
		Flashing amber/blue (1 flash per second)	The drive has failed, or a predictive failure alert has been received for this drive. The drive has also been identified by a management application.
		Flashing amber (1 flash per second)	A predictive failure alert has been received for this drive. Replace the drive as soon as possible.
		Off	The drive is operating normally and not being identified by a management application.
2	Online/Activity	Solid green	The drive is online and has no activity.
		Flashing green (4 flashes per second)	The drive is operating normally and has activity.
		Off	No power present.

## Drive bay numbering



### CAUTION

When a server is purchased without any drive installed, some drive bays might be empty while other drive bays might be populated with drive blanks. To maintain proper system cooling, do not operate the server without a drive or a drive blank installed.

### Subtopics

[LFF drive bay numbering](#)

[SFF drive bay numbering](#)

[Mixed drive bay numbering](#)

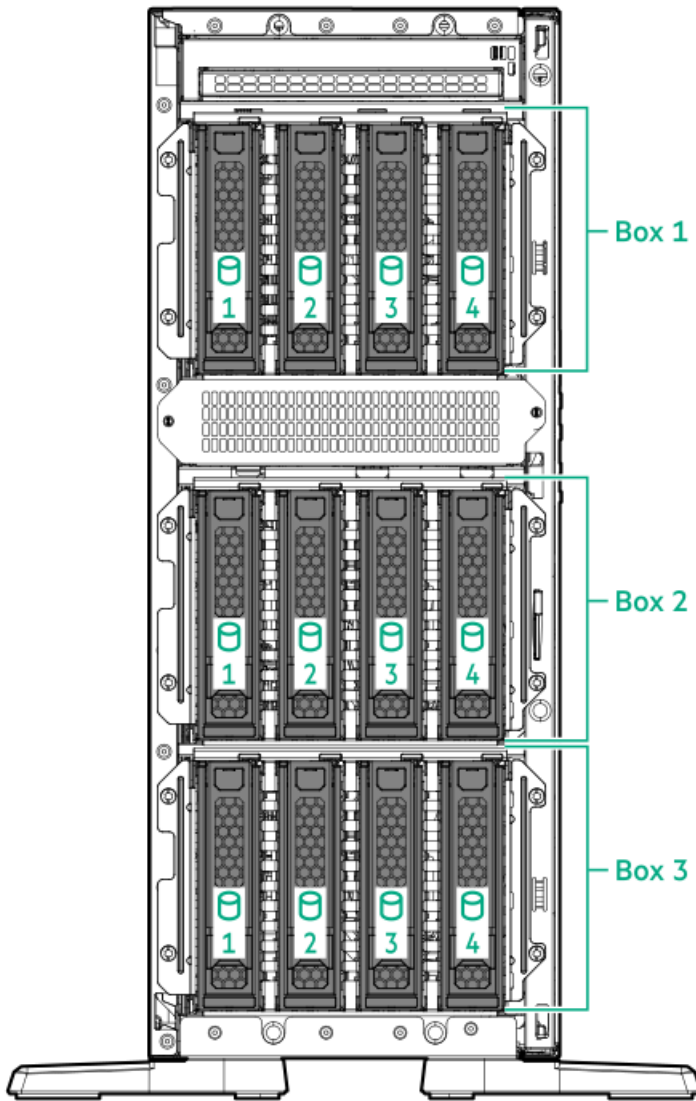
[E3.S drive bay numbering](#)

## LFF drive bay numbering

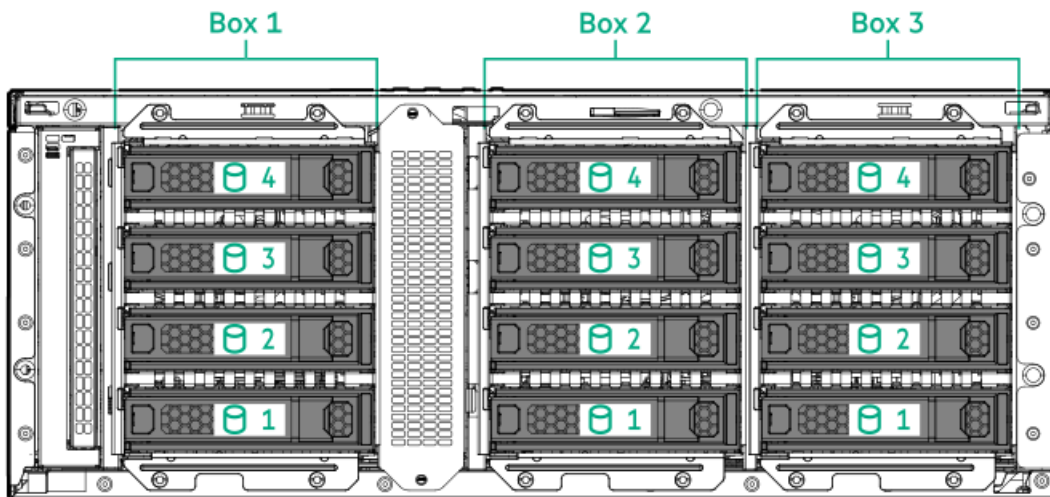
LFF drive box uses the 4 LFF 12G x1 SAS / SATA UBM3 drive backplane.

For more information on the drive backplane description, see [Drive backplane naming](#).

## Tower orientation



### Rack orientation



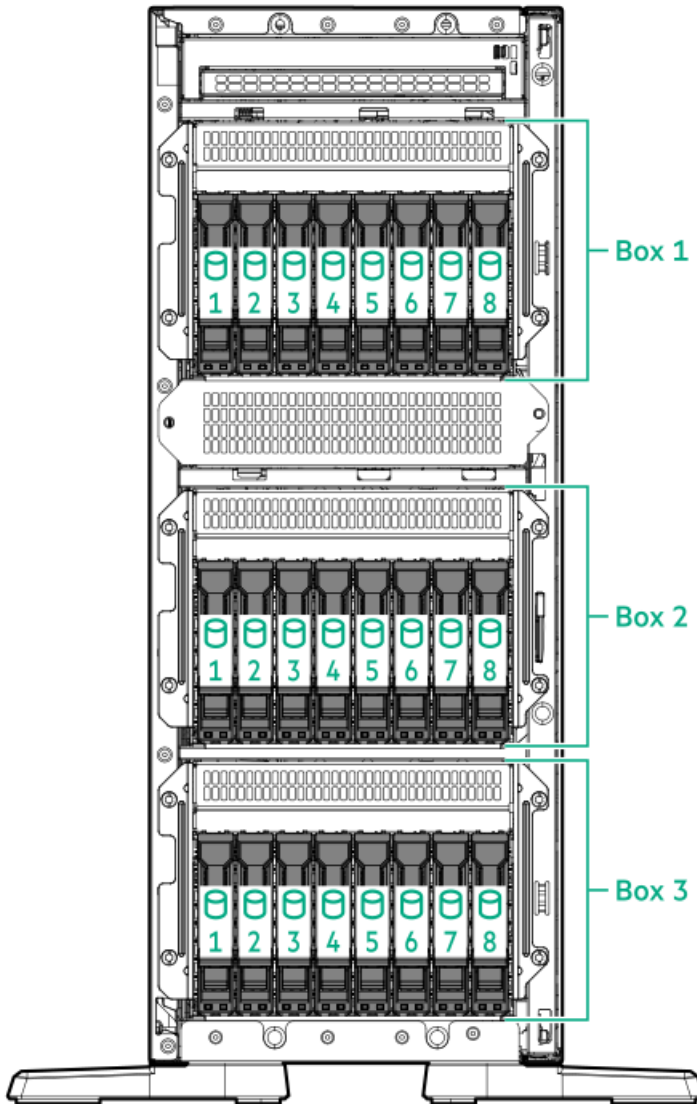
### SFF drive bay numbering

The following drive backplane options are supported in SFF drive configurations:

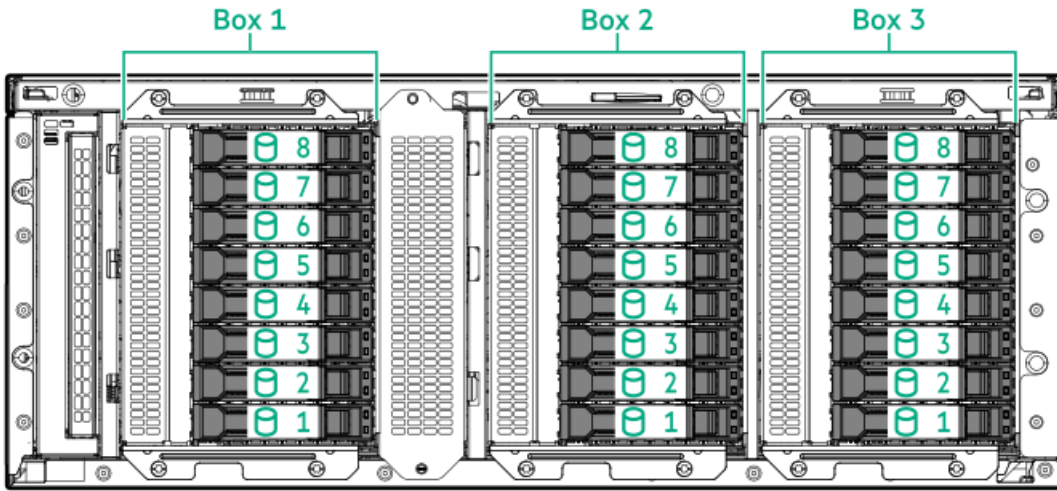
- 8 SFF 24G x1 U.3 NVMe / SAS UBM3 BC
- 8 SFF 24G x1 U.3 NVMe / SAS UBM6 BC
- 8 SFF 24G x4 U.3 NVMe UBM3 BC
- 8 SFF 24G x4 U.3 NVMe UBM6 BC

For more information on the drive backplane description, see [Drive backplane naming convention](#).

## Tower orientation



## Rack orientation

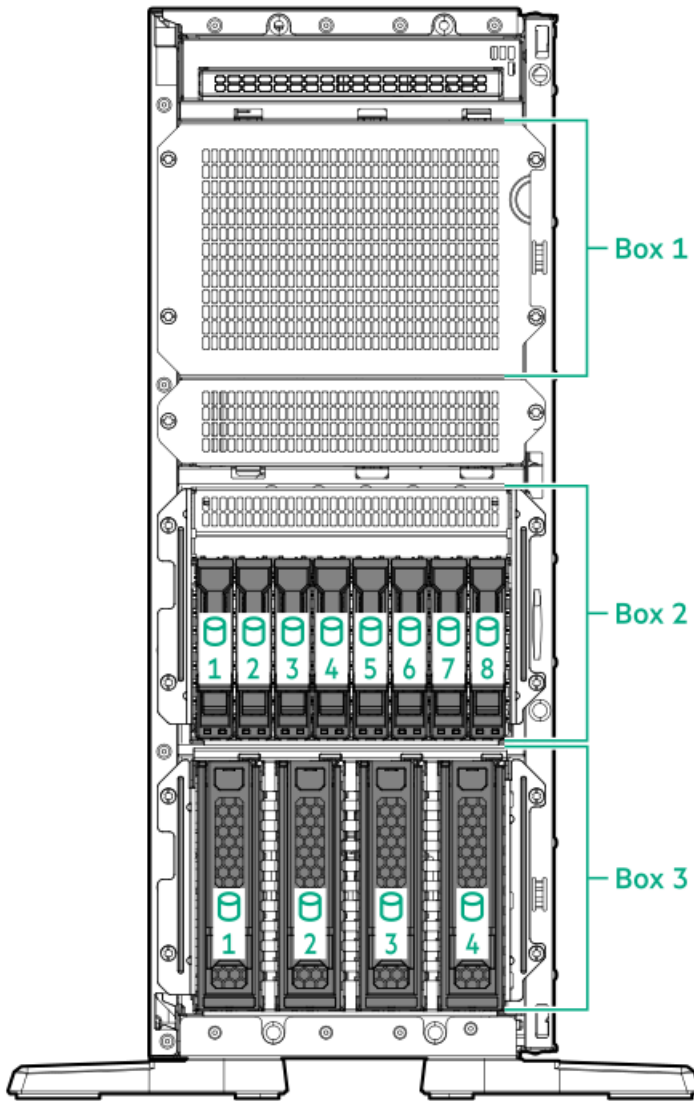


## Mixed drive bay numbering

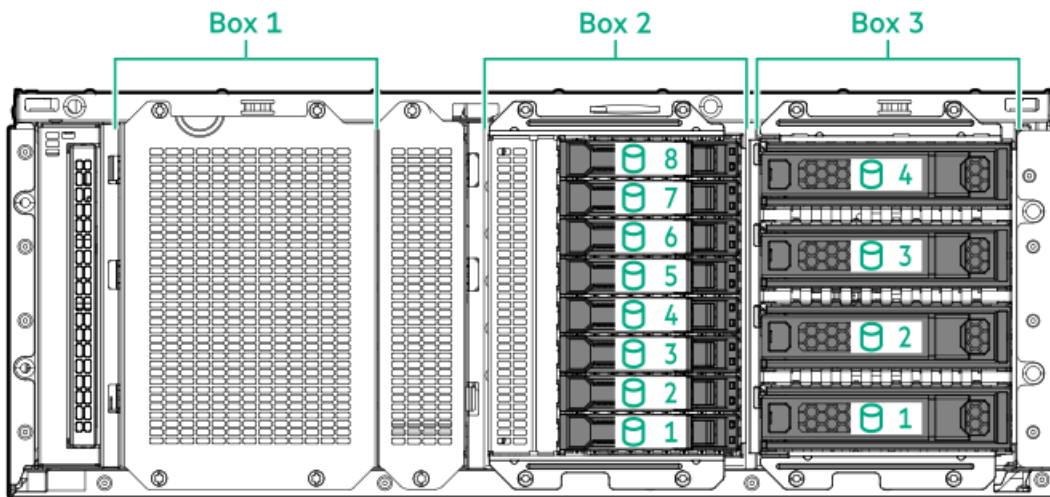
This server supports the following mixed hot-plug drive configurations.

**4 LFF + 8 SFF**

**Tower orientation**

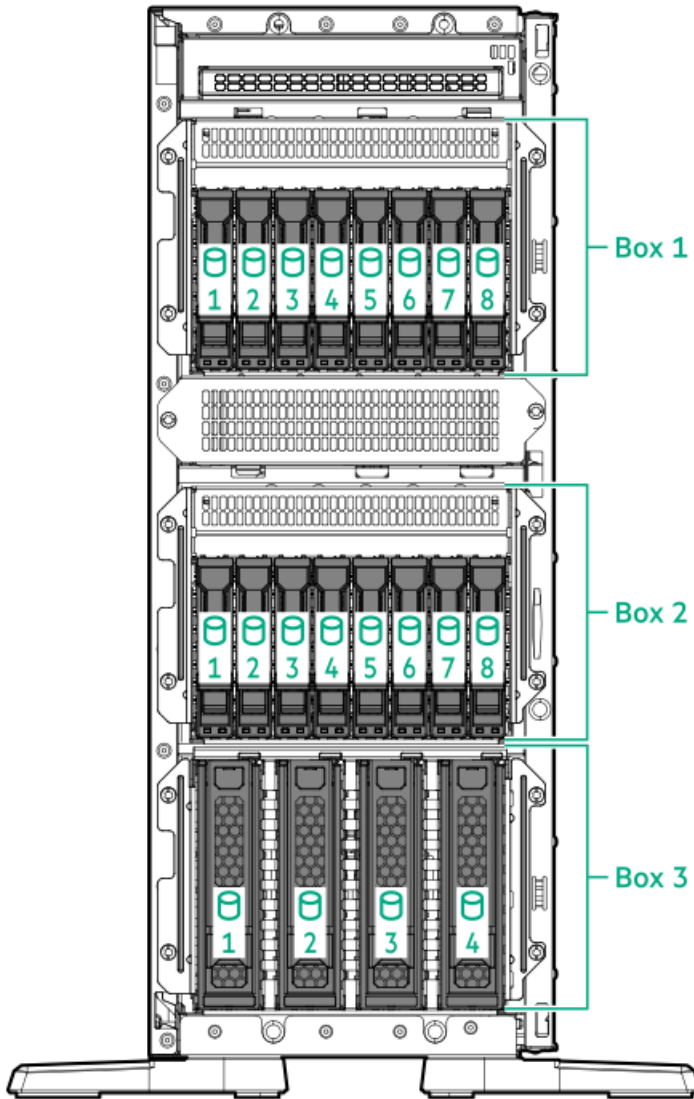


Rack orientation

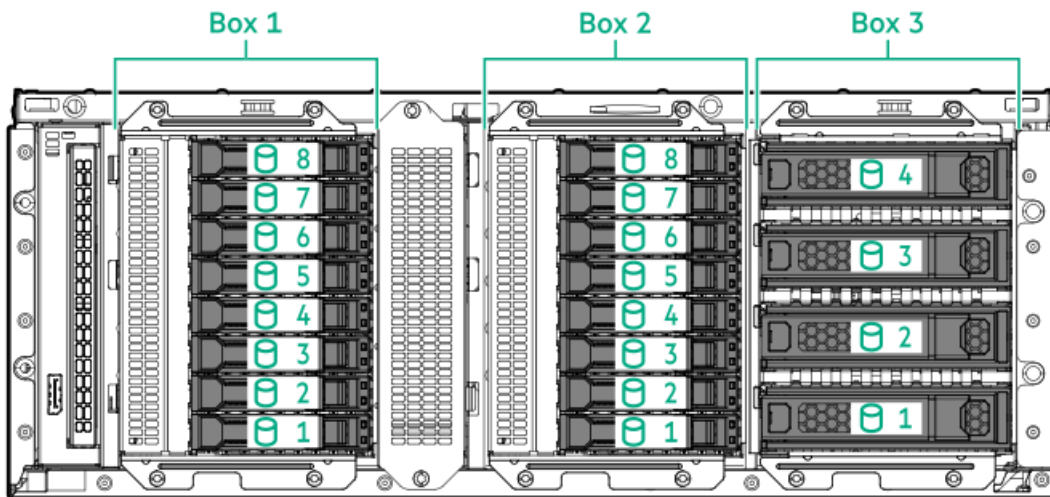


4 LFF + 16 SFF

Tower orientation



Rack orientation

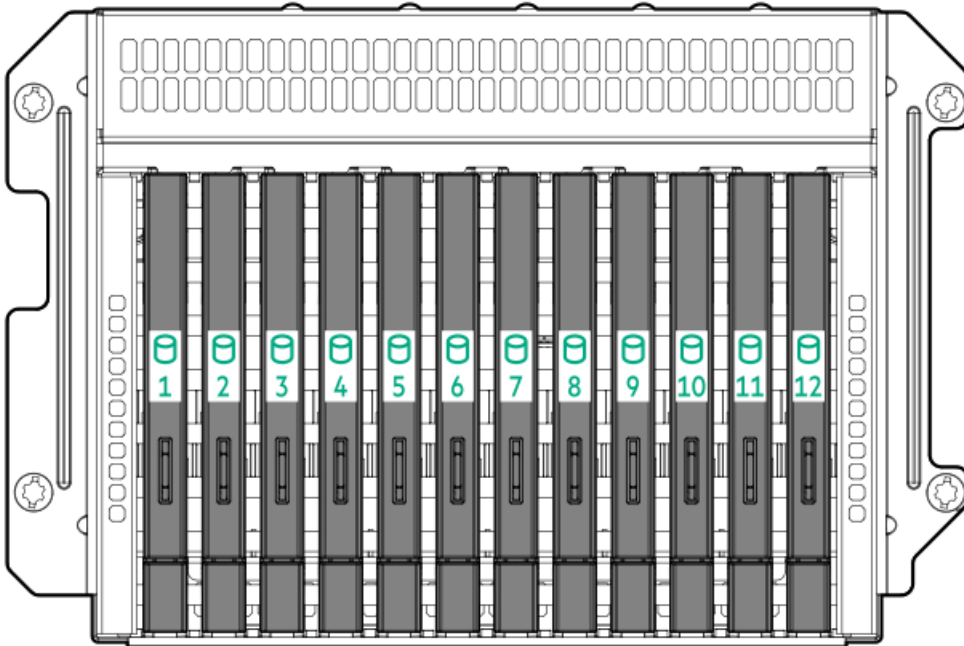


E3.S drive bay numbering

The following drive backplanes are supported in the E3.S drive box by default in the Box 3:

- 12 E3.S 32G x4 NVMe UMB5 EC
- 12 E3.S 32G x4 NVMe UMB7 EC

For more information on the drive backplane description, see [Drive backplane naming](#).



## Drive backplane naming

This topic explains the features represented in the drive backplane naming. This naming convention was adopted starting in the HPE Gen11 server release. Your server might not support all the features listed in this topic. For server-specific support information, see the server guides:

- Drive backplane support, see [Drive bay numbering](#).
- Drive backplane cabling, see [Storage cabling](#).





Item	Description	Values
1	Drive bay count	Number of drive bays supported by the backplane.
2	Drive form factor	LFF—Large Form Factor SFF—Small Form Factor E3S—Enterprise and Datacenter Standard Form Factor (EDSFF E3.S)
3	Maximum link rate per lane (GT/s)	12G 16G 24G 32G
4	Port link width and interface	x1 NVMe/SAS—U.3 NVMe, SAS, or SATA <sup>1</sup> x4 NVMe/SAS—U.3 NVMe, SAS, or SATA <sup>2</sup> x4 NVMe—U.2 NVMe <sup>3</sup> x4 NVMe—E3.S
5	Universal backplane manager (UBM) model	The UBM model defines the UBM firmware used by the backplane. Examples of UBM models: UBM2, UBM3, etc.
6	Drive carrier type	BC—Basic carrier (SFF) LP—Low-profile carrier (LFF) EC—E3.S carrier

<sup>1</sup> Tri-mode controller support for x1 U.3 NVMe, SAS, and SATA drives. System board connection supports SATA drives only (not available on Gen12).

<sup>2</sup> CPU direct attach or tri-mode controller support for x4 U.3 NVMe, x2 (via a splitter cable) U.3 NVMe, or x1 SAS and SATA drives.

<sup>3</sup> CPU direct attach or tri-mode controller support for x4 U.2 NVMe drives.

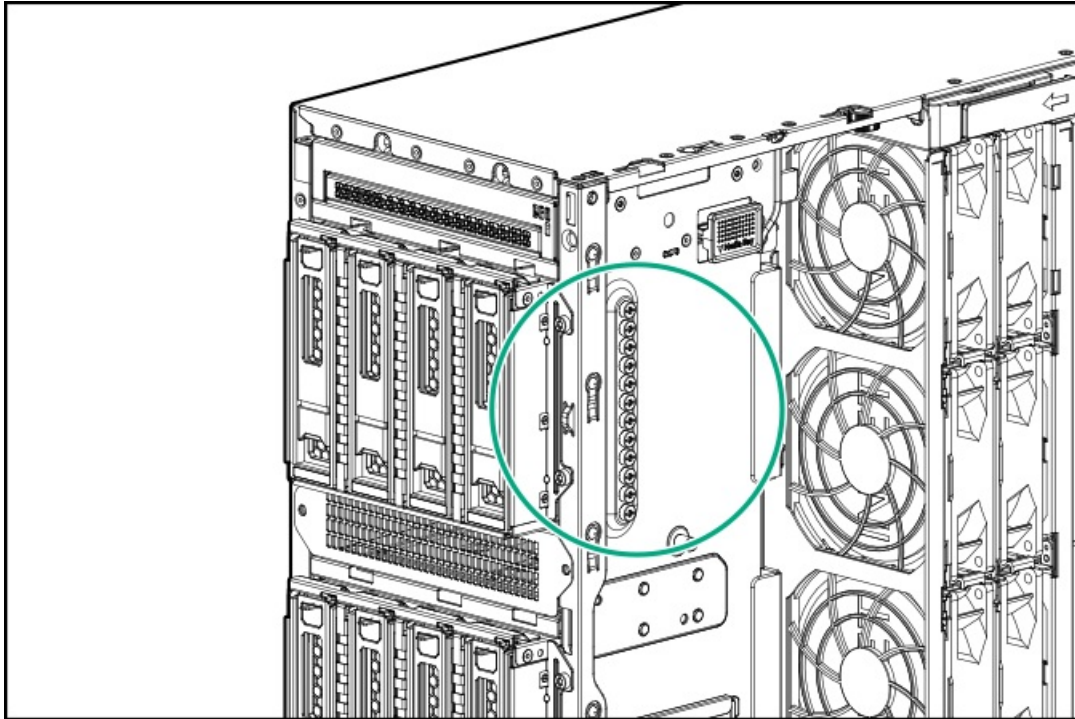
## Fan bay numbering

For more information on fan requirements for specific hardware configurations, see [Fan population](#).



## Media device screws

There are 12 T-15 Torx screws on the server chassis. These screws are provided as spare screws for installing media devices.



## Trusted Platform Module 2.0

The Trusted Platform Module 2.0 (TPM) is a hardware-based system security feature that securely stores artifacts used to authenticate the platform. These artifacts can include passwords, certificates, and encryption keys.

The TPM 2.0 is embedded on the server system board.

The TPM 2.0 is supported with specific operating system support such as Microsoft Windows Server 2012 R2 and later. For more information about operating system support, see the product QuickSpecs on the Hewlett Packard Enterprise website (<https://www.hpe.com/info/quickspecs>). For more information about Microsoft Windows BitLocker Drive Encryption feature, see the Microsoft website (<https://www.microsoft.com>).

### Subtopics

[Trusted Platform Module 2.0 guidelines](#)

[BitLocker recovery key/password retention guidelines](#)

## Trusted Platform Module 2.0 guidelines



## CAUTION

- Always observe the TPM guidelines in this section. Failure to follow these guidelines can cause hardware damage or halt data access.
- If you do not follow procedures for modifying the server and suspending or disabling the TPM in the OS, an OS that is using TPM might lock all data access. This includes updating system or option firmware, replacing hardware such as the system board and drives, and modifying TPM OS settings.
- Changing the TPM mode after installing an OS might cause problems, including loss of data.

**Hewlett Packard Enterprise SPECIAL REMINDER:** Before enabling TPM functionality on this system, you must ensure that your intended use of TPM complies with relevant local laws, regulations and policies, and approvals or licenses must be obtained if applicable.

慧与特别提醒：在您启用系统中的TPM功能前，请务必确认您对TPM的使用遵守当地相关法律、法规及政策，并已事先获得所需的一切批准及许可（如适用），因您未获得相应的操作/使用许可而导致的违规问题，皆由您自行承担全部责任，与慧与无涉。

- When the embedded TPM is enabled, the Trusted Platform Module operates in TPM 2.0 mode.
- Use the UEFI System Utilities to configure the TPM. From the System Utilities screen, select System Configuration > BIOS/Platform Configuration (RBSU) > Server Security > Trusted Platform Module options. For more information, see the UEFI user guide:  
<https://www.hpe.com/support/UEFIgen11-UG-en>
- When using the Microsoft Windows BitLocker Drive Encryption feature, always retain the recovery key or password. The recovery key or password is required to enter Recovery Mode after BitLocker detects a possible compromise of system integrity.
- HPE is not liable for blocked data access caused by improper TPM use. For operating instructions, see the documentation for the encryption technology feature provided by the operating system.

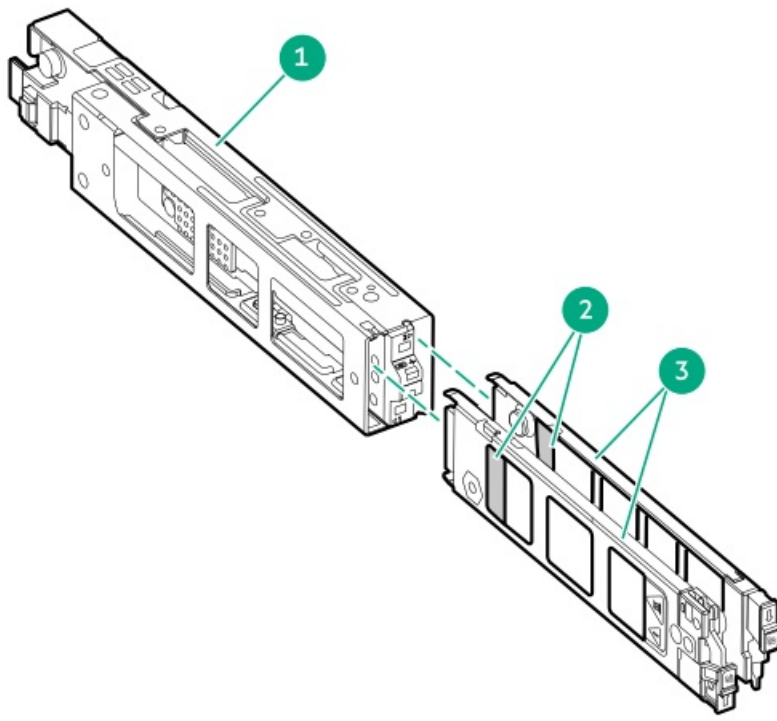
## BitLocker recovery key/password retention guidelines

The recovery key/password is generated during BitLocker setup, and can be saved and printed after BitLocker is enabled. When using BitLocker, always retain the recovery key/password. The recovery key/password is required to enter Recovery Mode after BitLocker detects a possible compromise of system integrity.

To help ensure maximum security, observe the following guidelines when retaining the recovery key/password:

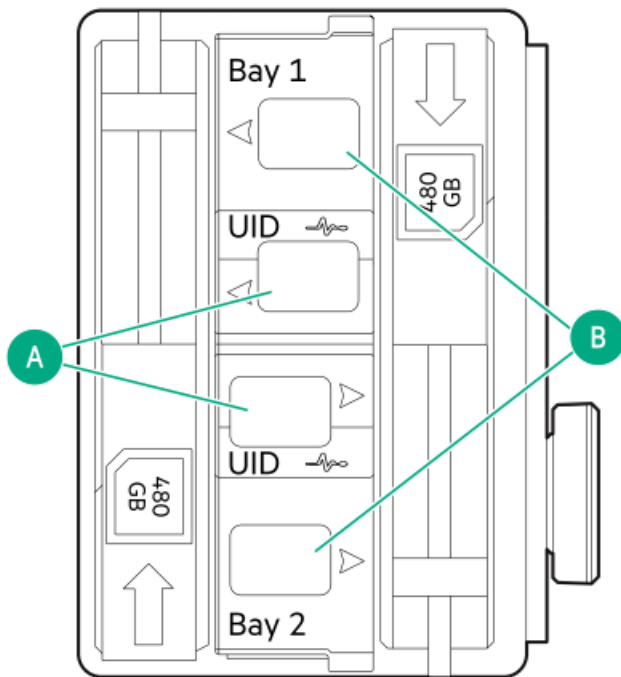
- Always store the recovery key/password in multiple locations.
- Always store copies of the recovery key/password away from the server.
- Do not save the recovery key/password on an encrypted drive.

## HPE NS204i-u Boot Device components



Item	Description
1	Boot device cage
2	M.2 slots
3	Boot device carriers

### HPE NS204i-u Boot Device LED definitions



**NOTE**

The bay number can be found on the SSD carrier handle.

Item	LED	Status	Definition
A	Fault or Locate	Solid amber	Drive has failed, unsupported, or invalid.
		Solid blue	Drive is operating normally.
		Flashing amber or blue (one flash per second)	Drive has failed, or a predictive failure alert is received for the drive.
		Flashing amber (one flash per second)	Drive predictive failure alert is received. Replace the drive as soon as possible.
		Off	Drive is operating normally and is not identified by any application.
B	Online/Activity	Solid green	Drive is online and has no activity.
		Flashing green (one flash per second)	Drive is doing one of the following: <ul style="list-style-type: none"> <li>Rebuilding or performing a RAID</li> <li>Erasing</li> </ul>
		Flashing green (4 flashes per second)	Drive is operating normally and has activity.
		Off	Drive is not configured by a RAID controller.

## Cabling

This chapter includes cabling guidelines and diagrams for internal component cabling.

### Subtopics

- [Cabling guidelines](#)
- [Cabling diagrams](#)
- [Internal cabling management](#)
- [Storage cabling](#)
- [Media device cabling](#)
- [GPU auxiliary power cabling](#)
- [Fan cabling](#)
- [HPE NS204i-u Boot Device cabling](#)
- [OCP upgrade cabling](#)
- [Tertiary riser signal cabling](#)
- [Serial port cabling](#)
- [Chassis intrusion detection switch cabling](#)
- [Front I/O cabling](#)

## Cabling guidelines

Observe the following:

- For cable option kits, see the product QuickSpecs.
- For cable spare part numbers, see the Illustrated parts catalog in the maintenance and service guide.
- Some diagrams show alphabetical callouts such as A, B, C, etc. These callouts correspond to labels near the connectors on the cable.

- Some cables have more than one connector, such as a Y-cable, but not all connectors are used.
- The cable colors in the cabling diagrams used in this chapter are for illustration purposes only.
- Observe all guidelines when working with server cables.

## Before connecting cables

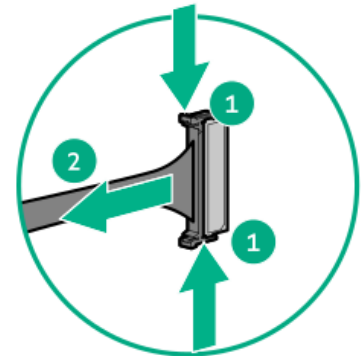
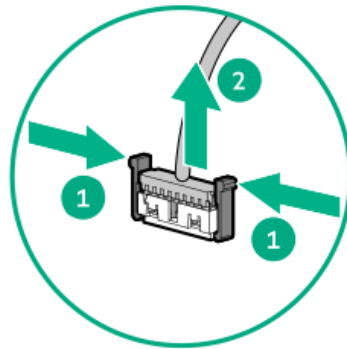
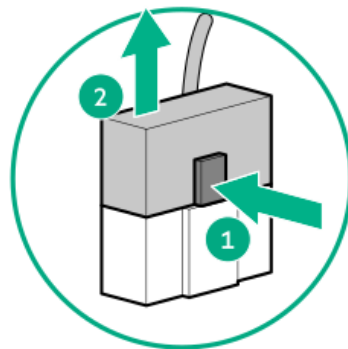
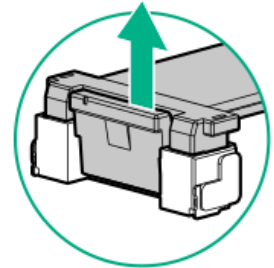
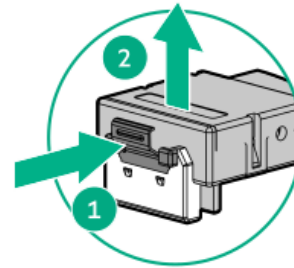
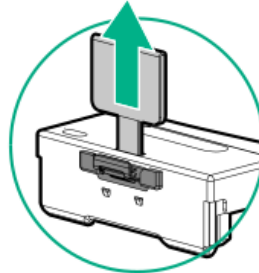
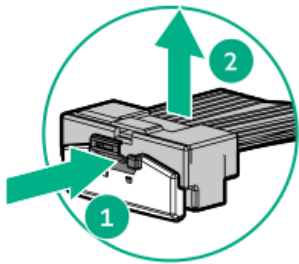
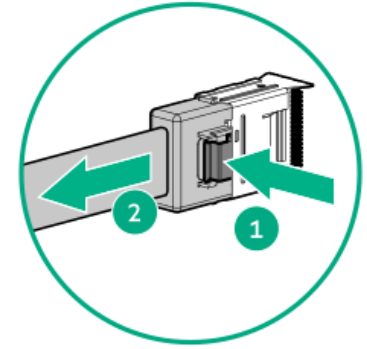
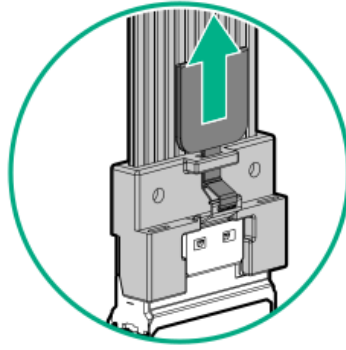
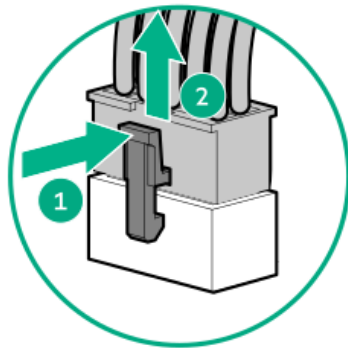
- Note the port labels on the PCA components. Not all these components are used by all servers:
  - System board ports
  - Drive and power supply backplane ports
  - Expansion board ports (controllers, retimers, adapters, expanders, risers, and similar boards)
- Note the label near each cable connector. This label indicates the destination port for the cable connector.
- Some data cables are prebent. Do not unbend or manipulate the cables.
- To prevent mechanical damage or depositing oil that is present on your hands, and other contamination, do not touch the ends of the connectors.

## When connecting cables

- Before connecting a cable to a port, lay the cable in place to verify the length of the cable.
- Use the internal cable management features to properly route and secure the cables.
- When routing cables, be sure that the cables are not in a position where they can be pinched or crimped.
- Avoid tight bend radii to prevent damaging the internal wires of a power cord or a server cable. Never bend power cords and server cables tight enough to cause a crease in the sheathing.
- Make sure that the excess length of cables is properly secured to avoid excess bends, interference issues, and airflow restriction.
- To prevent component damage and potential signal interference, make sure that all cables are in their appropriate routing position before installing a new component and before closing up the server after hardware installation/maintenance.

## When disconnecting cables

- Grip the body of the cable connector. Do not pull on the cable itself because this action can damage the internal wires of the cable or the pins on the port.
- If a cable does not disconnect easily, check for any release latch that must be pressed to disconnect the cable.



- Remove cables that are no longer being used. Retaining them inside the server can restrict airflow. If you intend to use the removed cables later, label and store them for future use.

## Cabling diagrams

Observe the following:

- Before cabling components, see the [Cabling guidelines](#).
- Use the cable part number or search feature to find your diagram.

**Component cabling**

**Cable part number**

**Storage cabling**

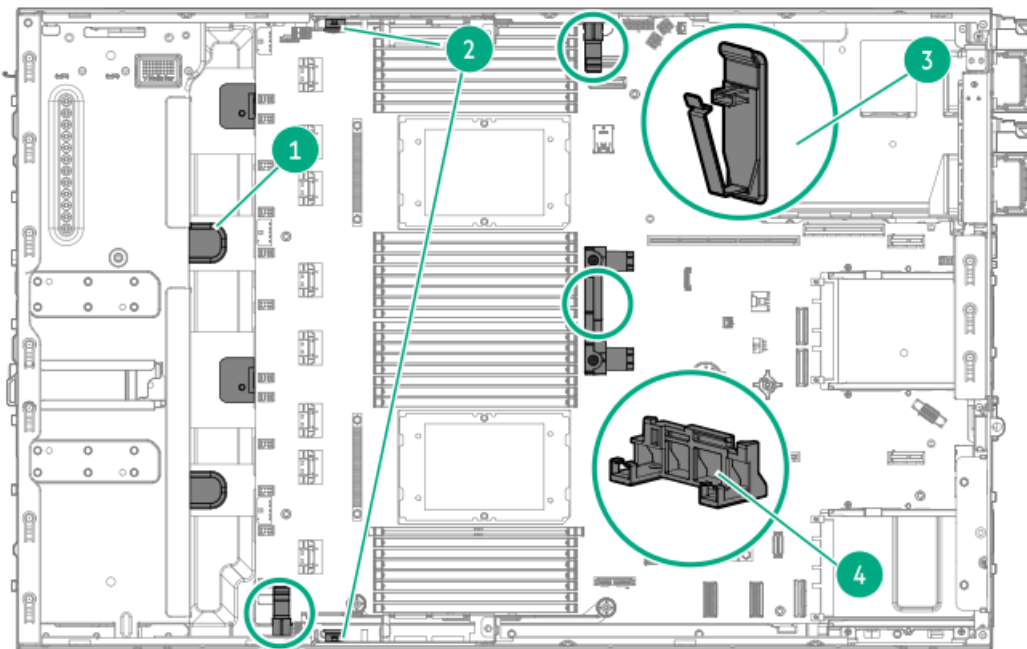
—

Component cabling	Cable part number
4/8/12 LFF drive onboard SATA cable	<a href="#">P45298-001</a>
	<a href="#">P45299-001</a>
8 SFF drive onboard SATA cable	<a href="#">P45293-001</a>
8 SFF drive onboard NVMe cable	<a href="#">P45294-001</a>
12 E3.S drive onboard NVMe cable	<a href="#">P50268-001</a>
	<a href="#">P49078-001</a>
	<a href="#">P49004-001</a>
4/8/12 LFF SAS/SATA drive controller cable: type-o controller in Slot 14	<a href="#">P45306-001</a>
	<a href="#">P49936-001</a>
4/8/12 LFF SAS/SATA drive controller cable: type-p controller in the primary riser	<a href="#">P45301-001</a>
	<a href="#">P45300-001</a>
8/16 SFF SAS/ NVMe x1 drive controller cable: type-o controller in Slot 14	<a href="#">P45304-001</a>
8 SFF SAS/ NVMe x1 drive controller cable: type-p controller in the primary riser	<a href="#">P45297-001</a>
16 SFF SAS/ NVMe x1 drive controller cable: type-p controller in the primary riser	<a href="#">P45296-001</a>
	<a href="#">P45297-001</a>
8 SFF NVMe x4 drive controller cable	<a href="#">P45297-001</a>
4 LFF + 8 SFF / 4 LFF + 16 SFF drive controller cable	<a href="#">P45296-001</a>
	<a href="#">P45306-001</a>
<b>Drive power cabling</b>	—
LFF/SFF drive power cable	<a href="#">869825-001</a>
E3.S drive power cable	<a href="#">P49005-001</a>
<b>Energy pack cabling</b>	—
Energy pack extension cable	<a href="#">873905-001</a>
<b>Storage controller backup power cable</b>	<a href="#">877850-001</a>
<b>Media device cabling</b>	—
LTO tape drive cabling	<a href="#">P45303-001</a>
	<a href="#">P49007-001</a>
	<a href="#">P45303-001</a>
	<a href="#">P49006-001</a>
USB RDX docking station cable	<a href="#">P45303-001</a>
	<a href="#">876507-002</a>
Optical drive cable	<a href="#">756914-001</a>
<b>HPE NS204i-u Boot Device cabling</b>	<a href="#">P54092-001</a>
	<a href="#">P54089-001</a>
<b>GPU auxiliary power cabling</b>	—
GPU auxiliary power Y-cable	<a href="#">P58422-001</a>
GPU auxiliary power straight cable	<a href="#">869820-001</a>
<b>External fan cabling</b>	<a href="#">P45291-001</a>



Component cabling	Cable part number
<b>OCP upgrade cabling</b>	—
OCP bandwidth upgrade cable	<a href="#">P43734-001</a>
	<a href="#">P43736-001</a>
Dual OCP slot upgrade cable for single-processor server	<a href="#">P56686-001</a>
<b>Tertiary riser signal cabling</b>	<a href="#">P52240-001</a>
<b>Miscellaneous cabling</b>	—
Serial port cable	<a href="#">P45623-001</a>
Chassis intrusion detection switch cable	<a href="#">P47751-001</a>
Front I/O cable	<a href="#">P45292-001</a>

## Internal cabling management



Item	Description
1	Metal tabs
2	Tabs on the fan cage brackets
3	Cable clamps
4	System board handle

## Storage cabling

### Subtopics

[Storage controller cabling](#)

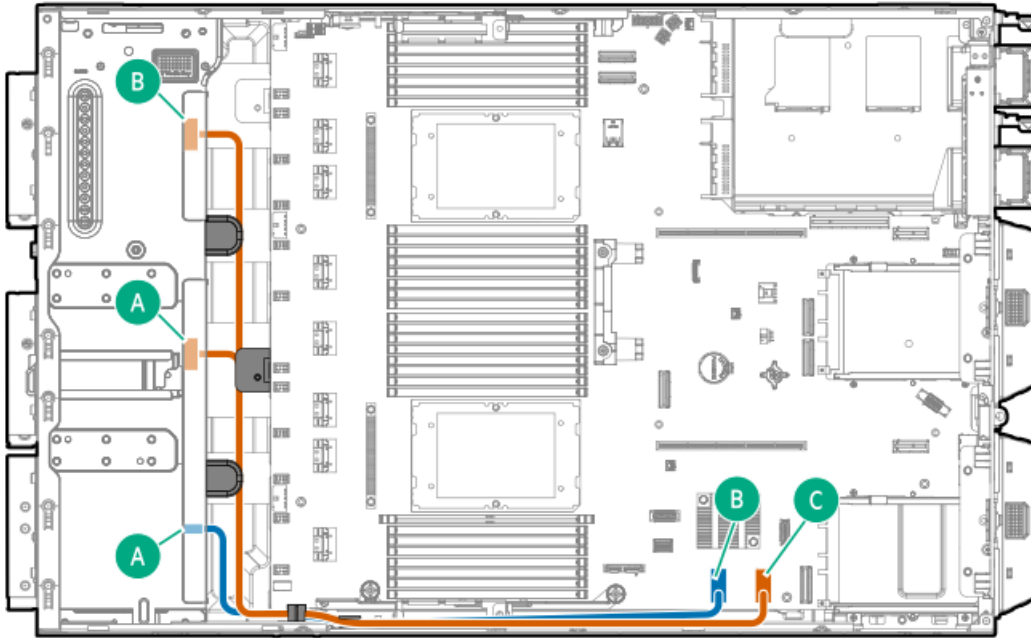
[Drive power cabling](#)

Energy pack cabling

Storage controller backup power cabling

## Storage controller cabling

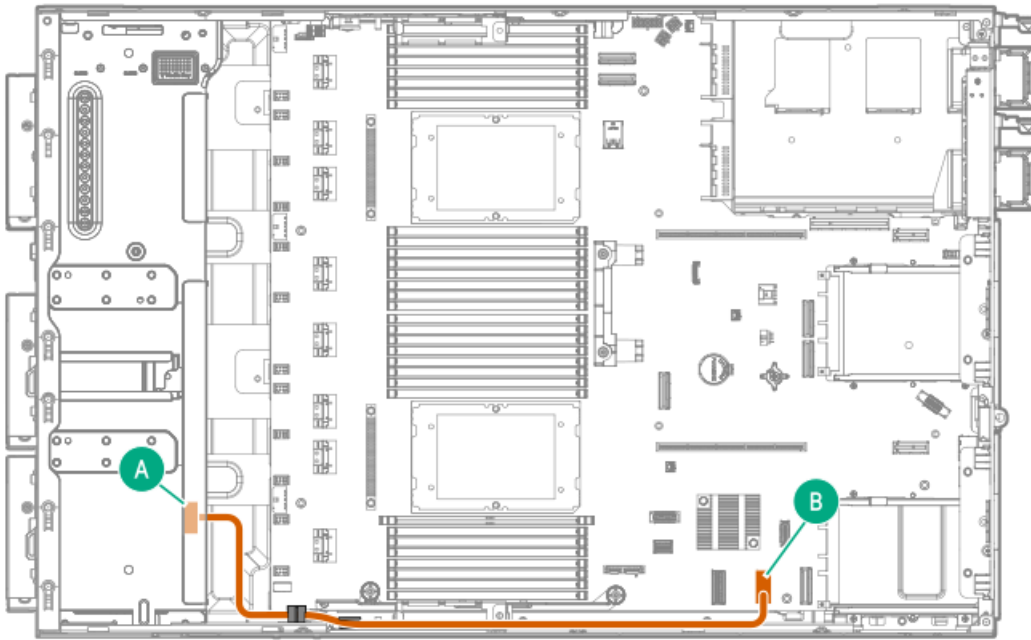
### 4/8/12 LFF drive: Onboard SATA cabling



Cable part number	Color	From	To
P45298-001	Orange	Box 1 port 1 and Box 2 port 1	PCH LP SlimSAS port 2
P45299-001	Blue	Box 3 port 1	PCH LP SlimSAS port 1

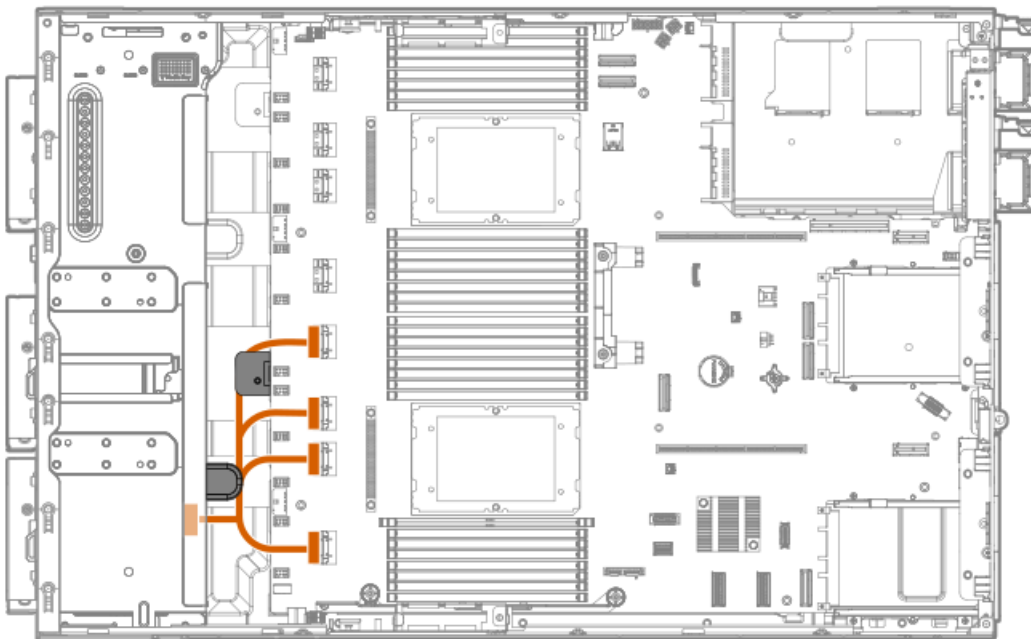
### 8 SFF drive: Onboard SATA cabling





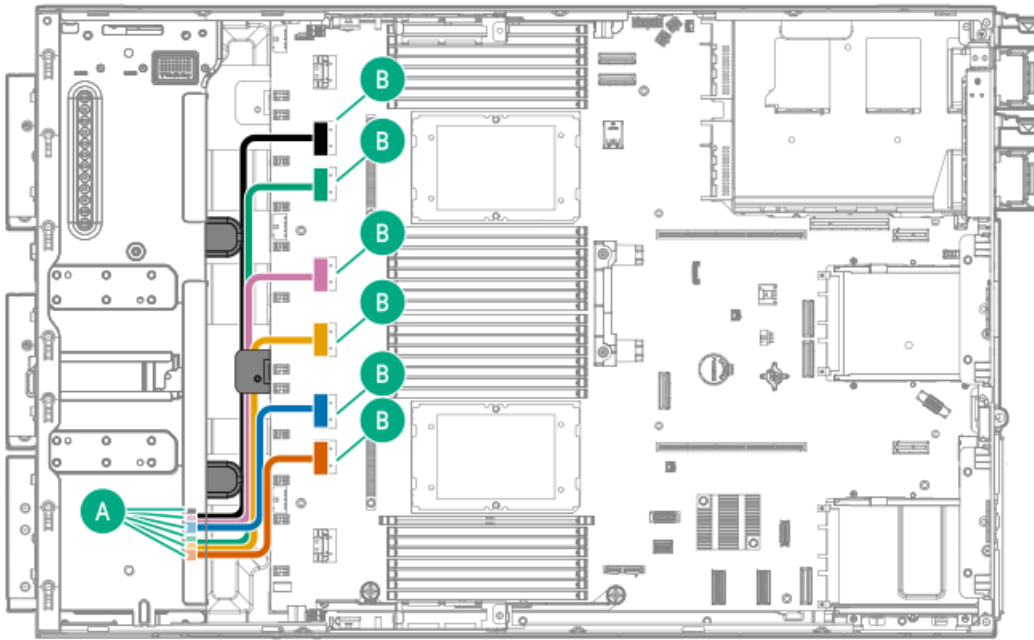
Cable part number	Color	From	To
P45293-001	Orange	Box 3 port 1	PCH LP SlimSAS port 2

### 8 SFF drive: Onboard NVMe cabling



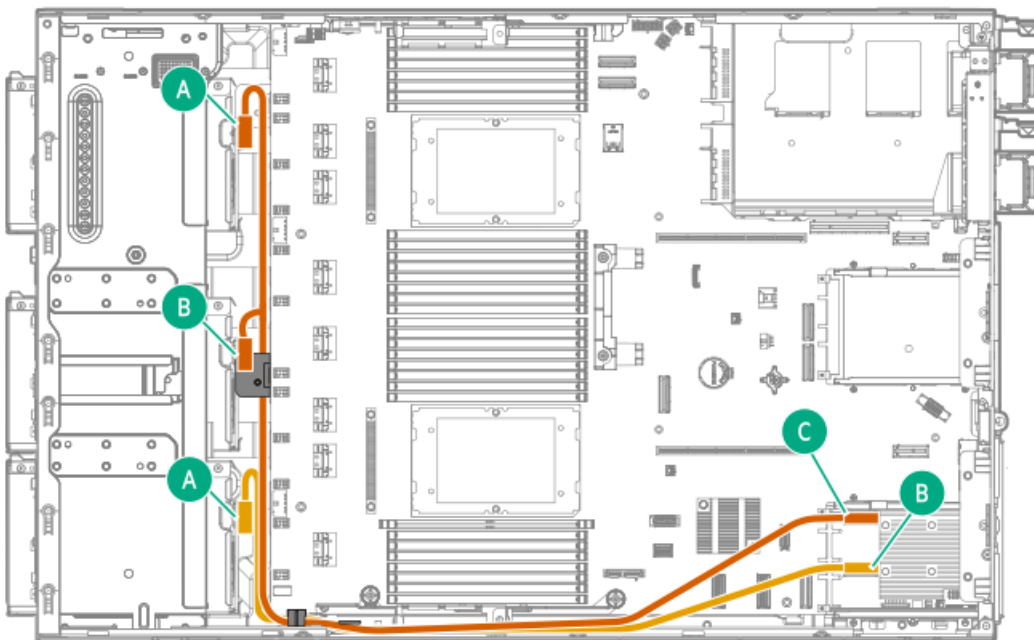
Cable part number	Color	From	To
P45294-001	Orange	Box 3 ports 1-4	SlimSAS x8 ports 1A-4A

### 12 E3.S drive: Onboard NVMe cabling



Cable part number	Color	From	To
P50268-001	Orange	Box 3 port 1	SlimSAS x8 port 3A
	Blue	Box 3 port 2	SlimSAS x8 port 2A
P49078-001	Gold	Box 3 port 3	SlimSAS x8 port 1A
	Pink	Box 3 port 4	SlimSAS x8 port 4B
P49004-001	Green	Box 3 port 5	SlimSAS x8 port 3B
	Black	Box 3 port 6	SlimSAS x8 port 2B

**4/8/12 LFF SAS/SATA drive controller cabling: Type-o controller in Slot 14**



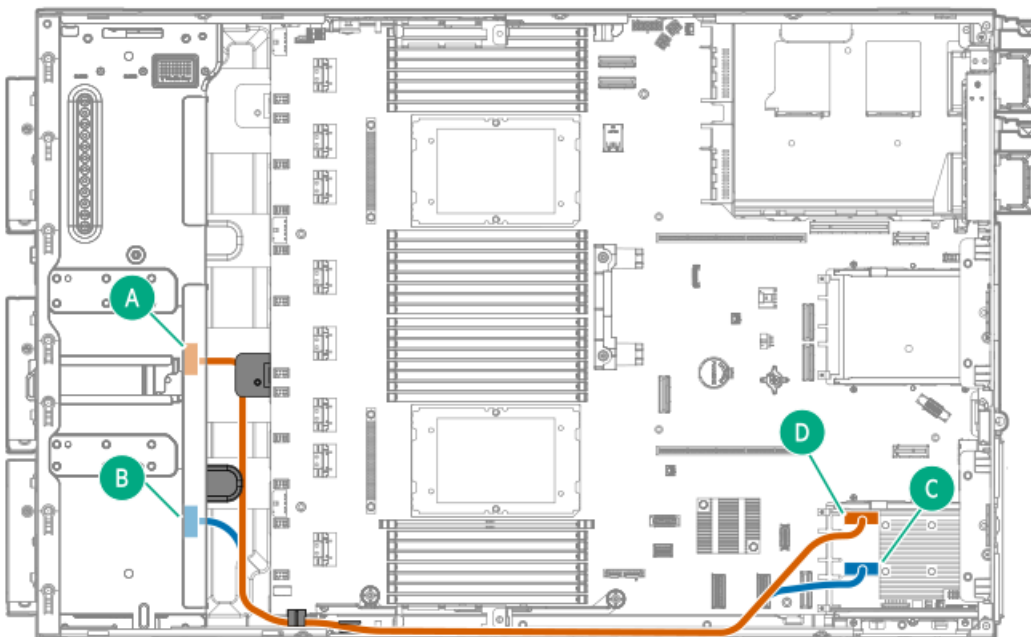
Cable part number	Color	From	To
P45306-001	Orange	Box 1 port 1 and Box 2 port 1	Type-o storage controller port 2
P49936-001	Gold	Box 3 port 1	Type-o storage controller port 1

#### 4/8/12 LFF SAS/SATA drive controller cabling: Type-p controller in the primary riser



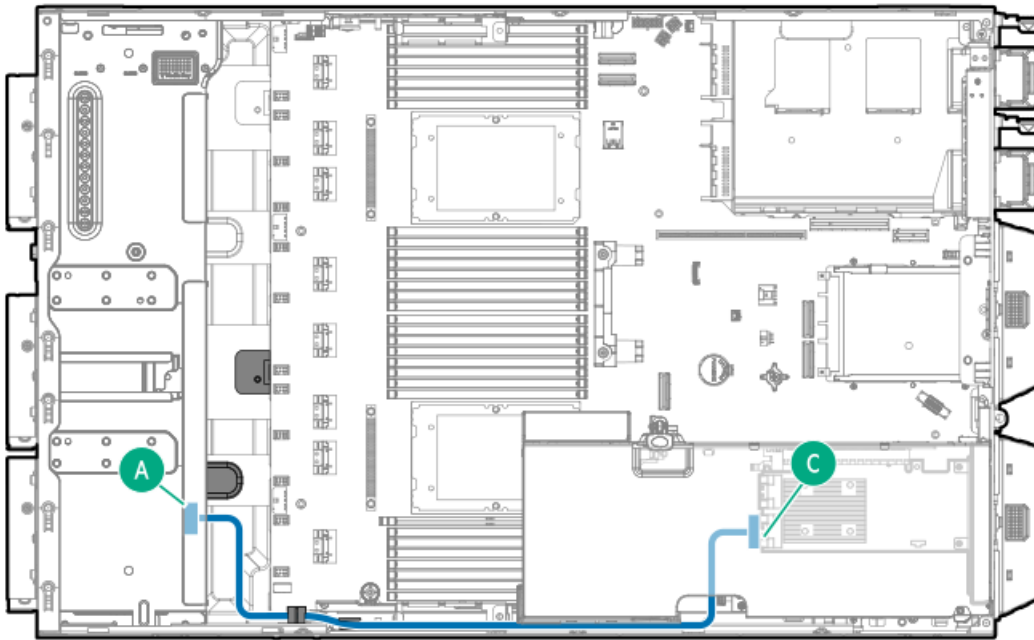
Cable part number	Color	From	To
P45301-001	Orange	Box 1 port 1 and Box 2 port 1	Primary type-p storage controller port 2
P45300-001	Gold	Box 3 port 1	Primary type-p storage controller port 1

#### 8/16 SFF SAS/ NVMe x1 drive controller cabling: Type-o controller in Slot 14



Cable part number	Color	From	To
P45304-001	Orange	Box 2 port 1	Type-o storage controller port 2
	Blue	Box 3 port 1	Type-o storage controller port 1

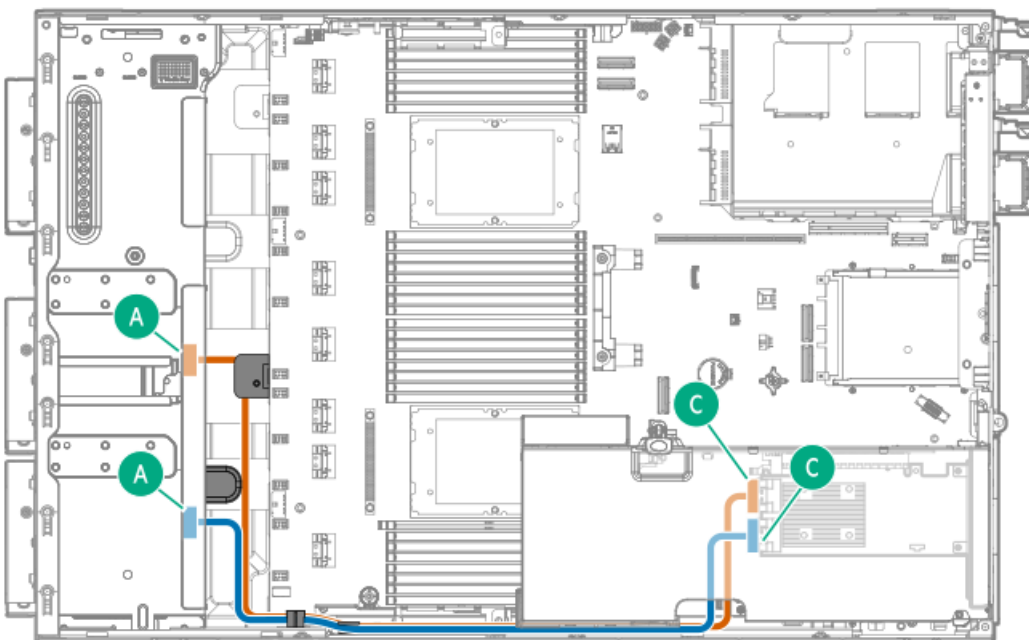
### 8 SFF SAS/ NVMe x1 drive controller cabling: Type-p controller in the primary riser



Cable part number	Color	From	To
P45297-001	Blue	Box 3 port 1	Primary type-p storage controller port 1

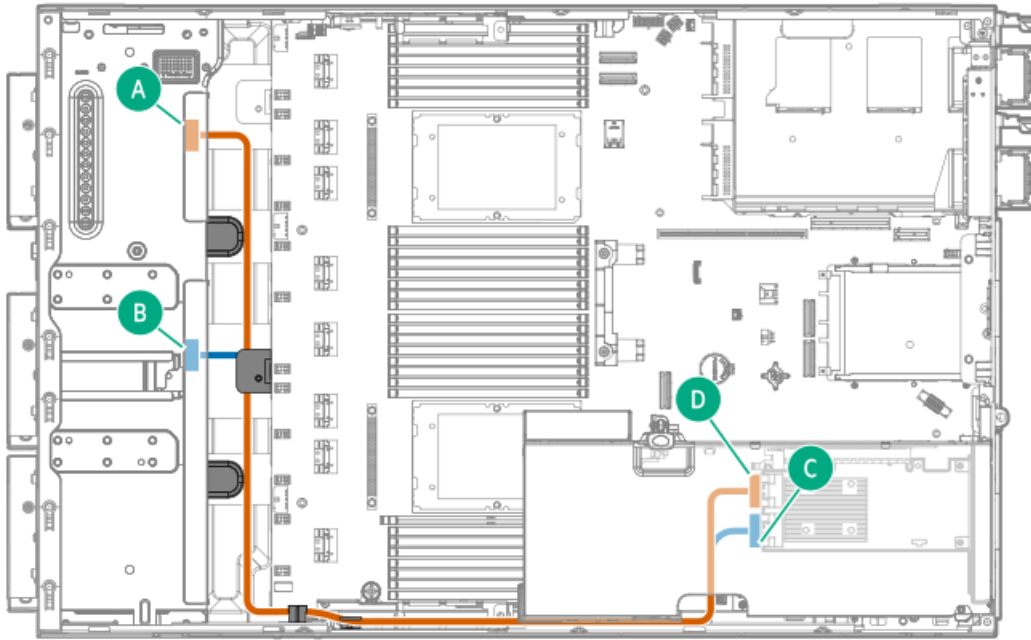
### 16 SFF SAS/ NVMe x1 drive controller cabling: Type-p controller in the primary riser

- Box 2 and Box 3



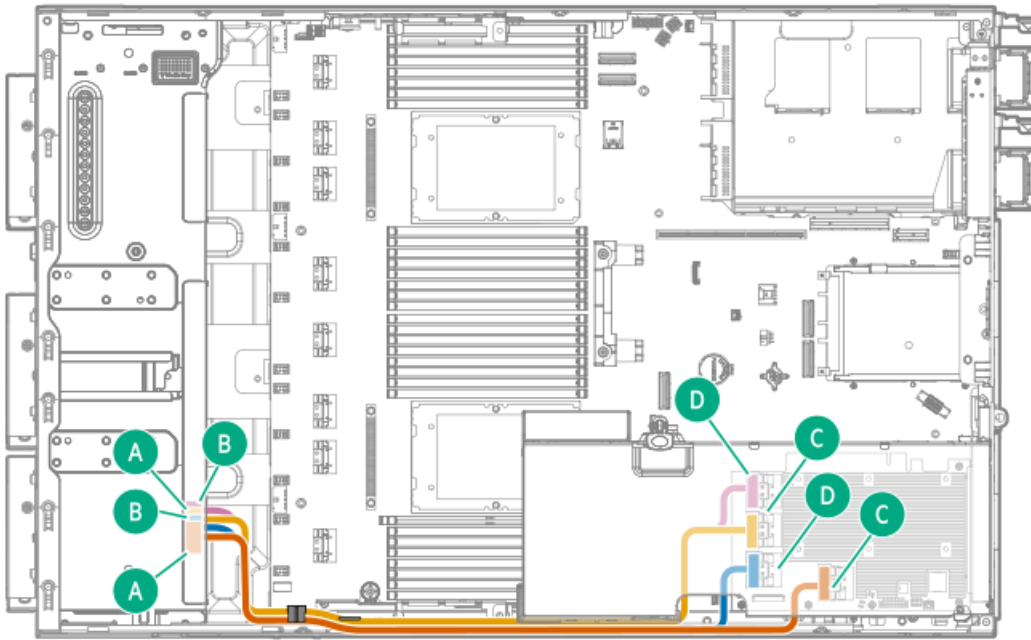
Cable part number	Color	From	To
P45296-001	Orange	Box 2 port 1	Primary type-p storage controller port 2
P45297-001	Blue	Box 3 port 1	Primary type-p storage controller port 1

- Box 1 and Box 2



Cable part number	Color	From	To
P45296-001	Orange	Box 1 port 1	Primary type-p storage controller port 2
	Blue	Box 2 port 1	Primary type-p storage controller port 1

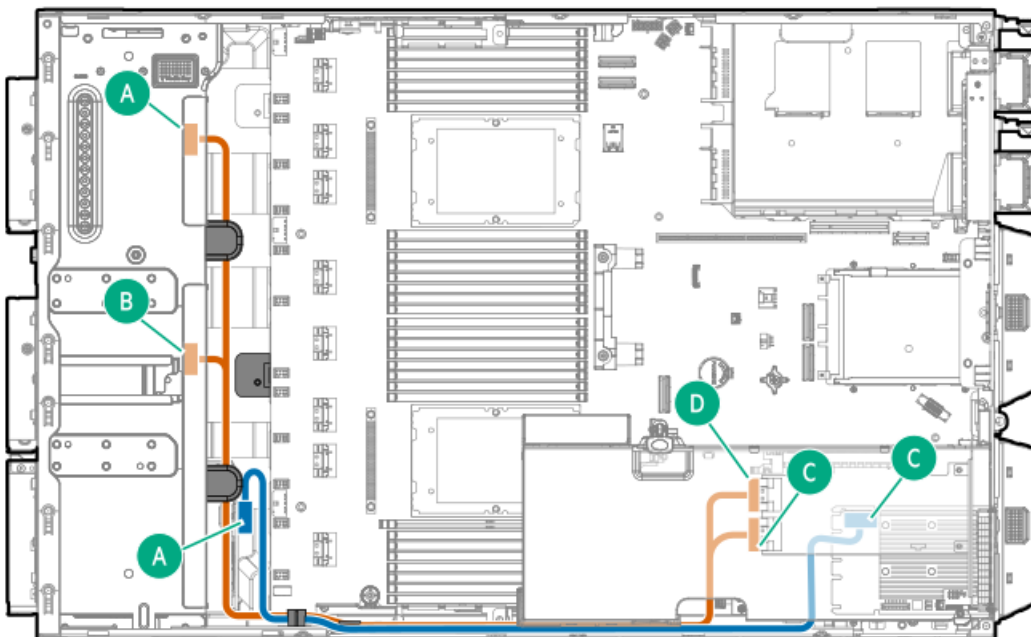
## 8 SFF NVMe x4 drive controller cabling



Cable part number	Color	From	To
P45297-001 <sup>1</sup>	Orange	Box 3 port 1	Primary type-p storage controller port 1
	Blue	Box 3 port 2	Primary type-p storage controller port 2
	Gold	Box 3 port 3	Primary type-p storage controller port 3
	Pink	Box 3 port 4	Primary type-p storage controller port 4

<sup>1</sup> This is a splitter cable. Ports 1-2 use one cable; Ports 3-4 use one cable.

#### 4 LFF + 8 SFF / 4 LFF + 16 SFF drive controller cabling



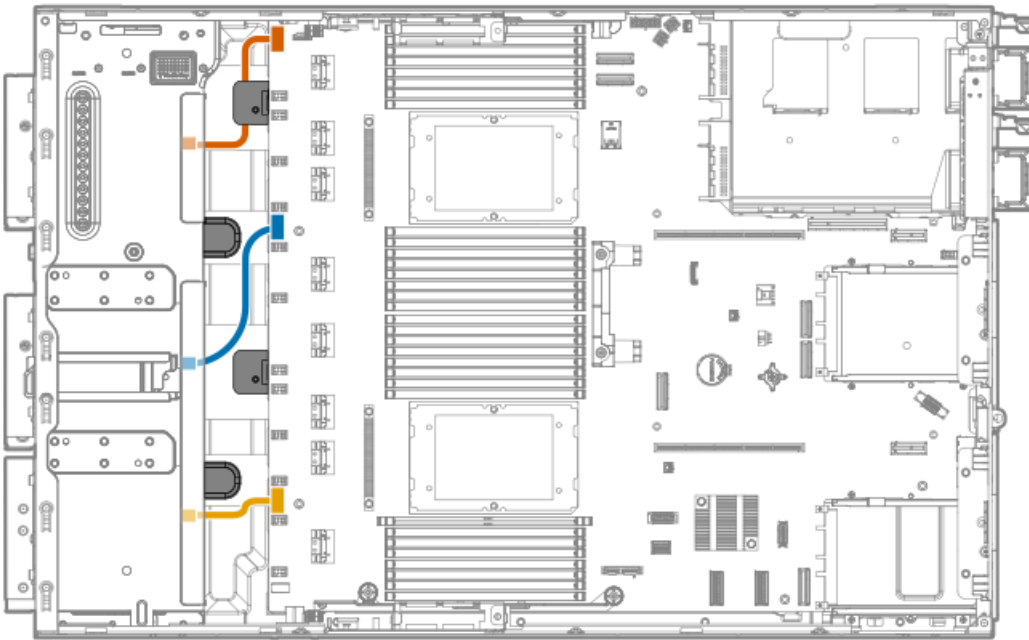


Cable part number	Color	From	To
P45296-001	Orange	Box 1 port 1 and Box 2 port 1	Primary type-p storage controller ports 1-2
P45306-001	Blue	Box 3 port 1	Type-o storage controller port 1

## Drive power cabling

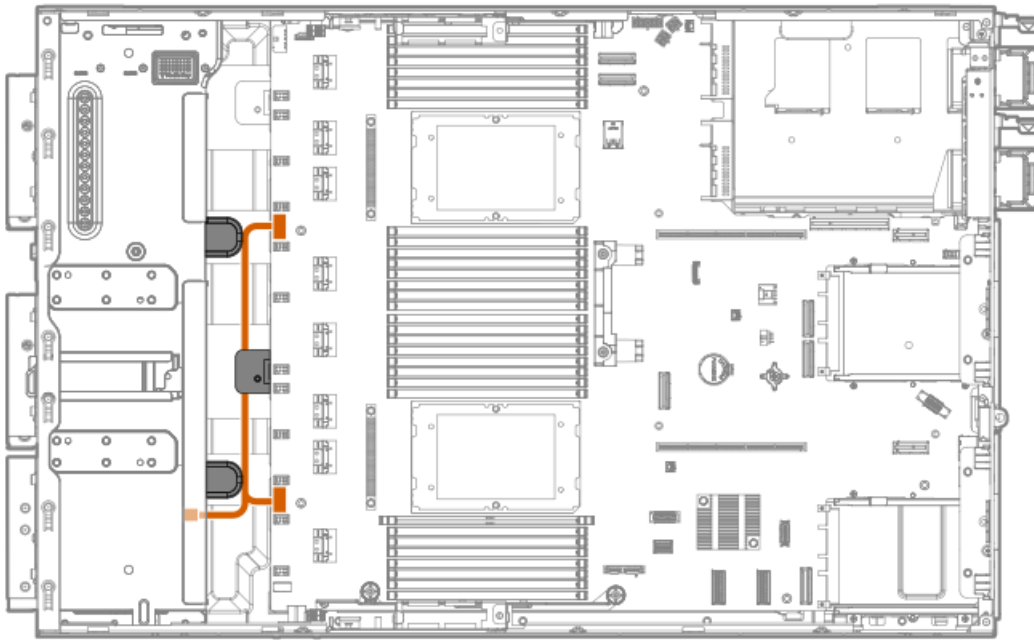
Drive power cables are either preinstalled in the server or structured under the relevant storage controller cable option kit.

### LFF/SFF drive power cabling



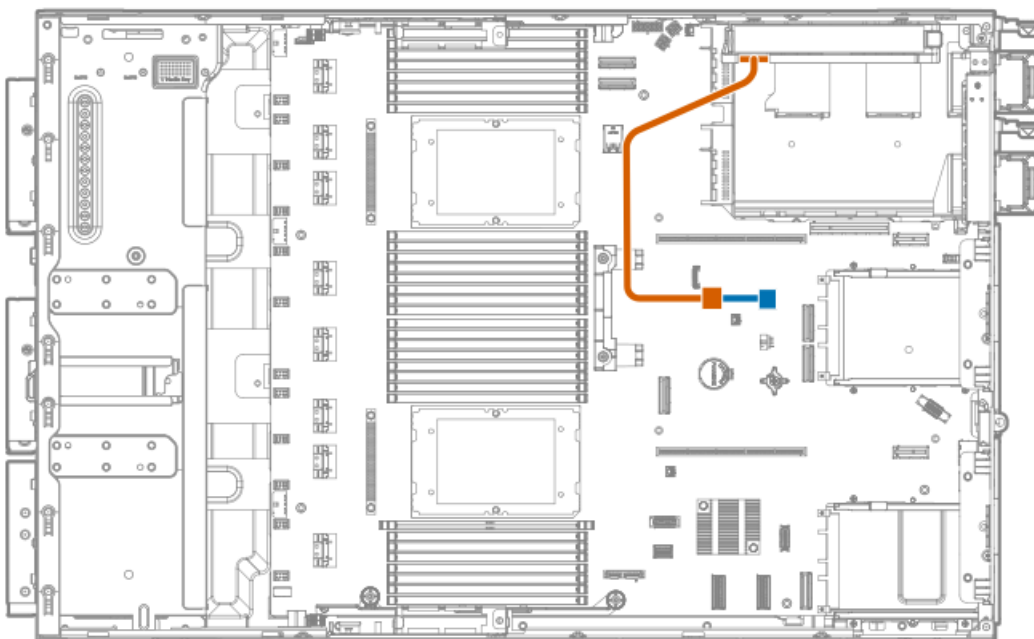
Cable part number	Color	From	To
869825-001	Orange	Box 1 power connector	Drive box 1 power connector
	Blue	Box 2 power connector	Drive box 2 power connector
	Gold	Box 3 power connector	Drive box 3 power connector

### E3.S drive power cabling



Cable part number	Color	From	To
P49005-001	Orange	Box 3 power connector	<ul style="list-style-type: none"> <li>• Drive box 3 power connector</li> <li>• Drive box 2 power connector</li> </ul>

### Energy pack cabling



Cable part number	Color	From	To
873905-001	Blue	Energy pack cable	Energy pack connector

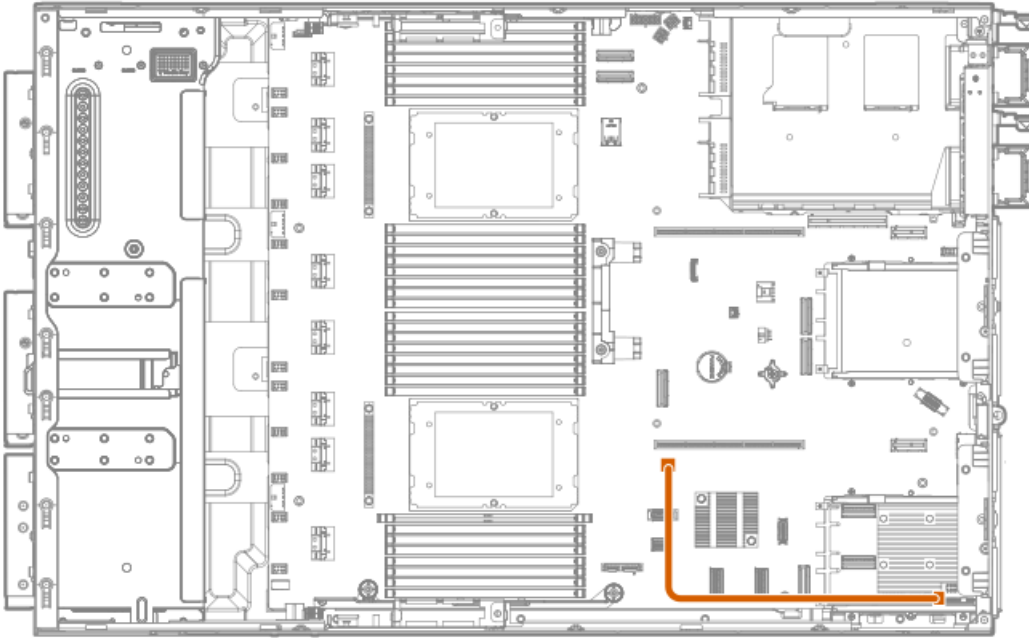
## Storage controller backup power cabling

The exact route of the storage controller backup power cabling will depend on:

- The riser slot where the controller is installed
- The location of the storage controller backup power connector on the controller

Use the following diagrams for reference only.

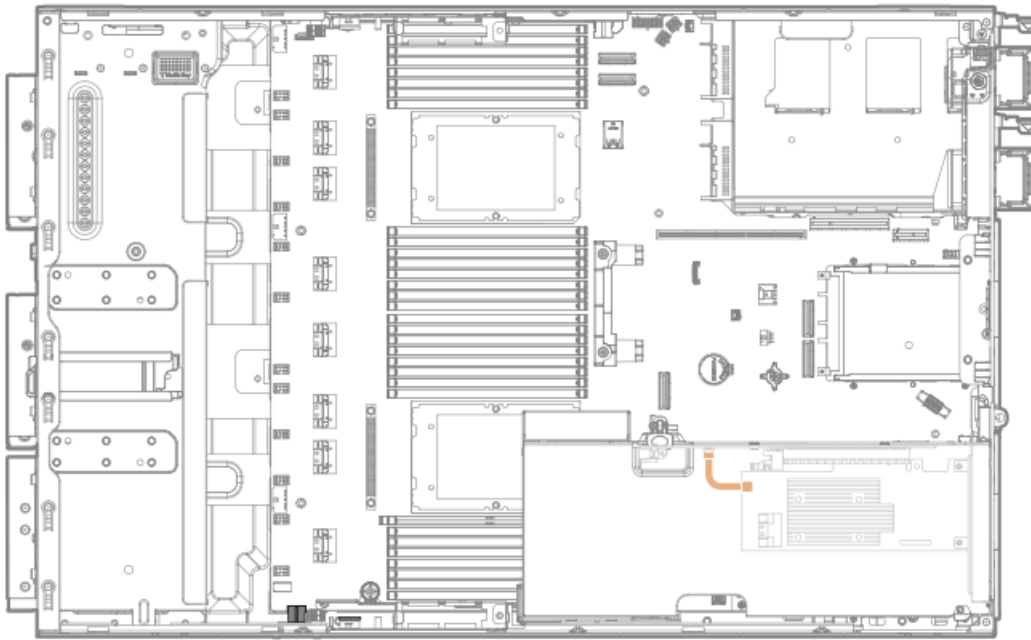
### Storage controller backup power cabling from type-o storage controller in Slot 14



Color	From	To
Orange	Type-o controller	Slot 14 OCP storage backup power connector

### Storage controller backup power cabling from type-p storage controller in the primary riser





Cable part number	Color	From	To
877850-001 <sup>1</sup>	Orange	Type-p controller	Storage controller backup power connector on the riser board

<sup>1</sup> This cable part number is for SR932-p controller.

## Media device cabling

### Subtopics

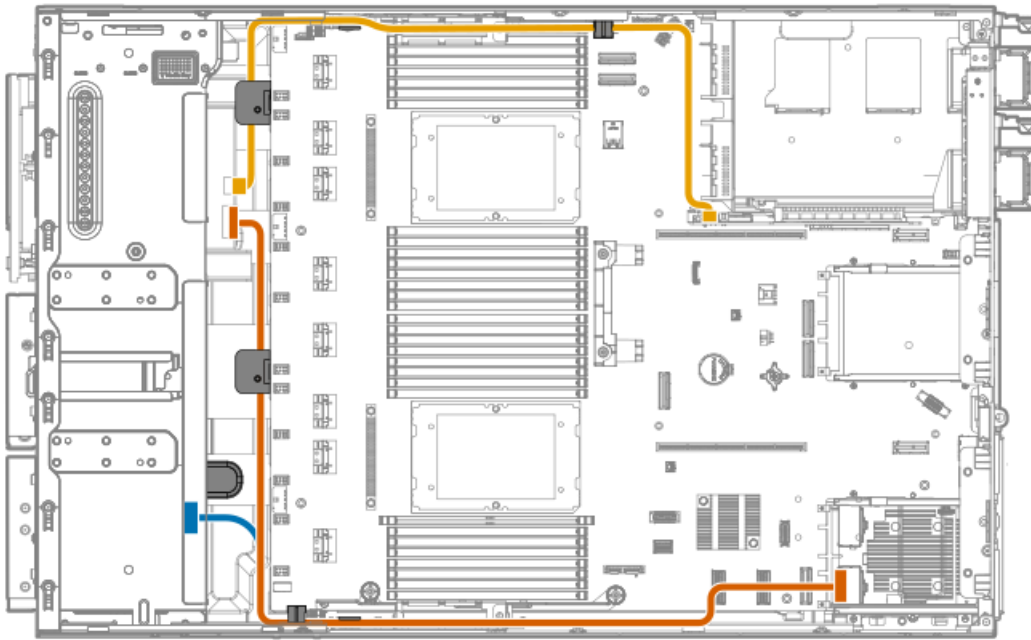
[LTO tape drive cabling](#)

[USB RDX docking station cabling](#)

[Optical drive cabling](#)

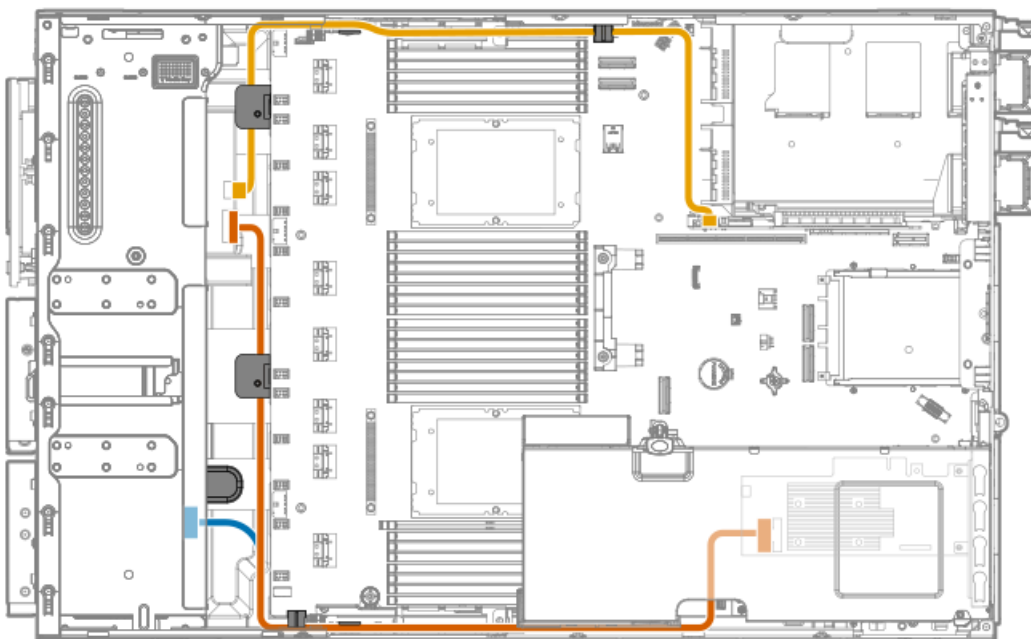
## LTO tape drive cabling

### Type-o controller



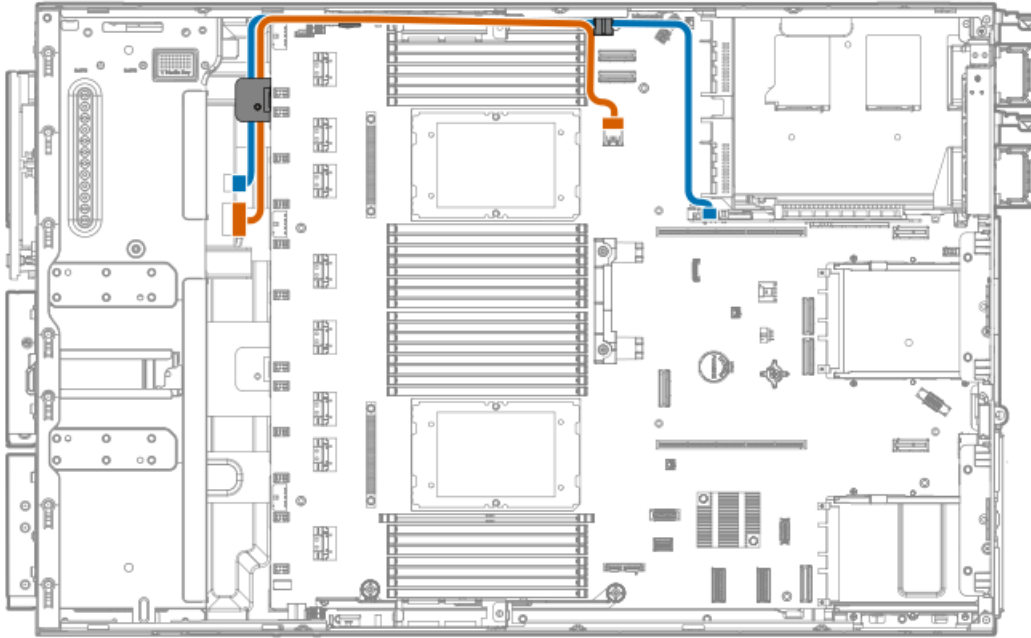
Cable part number	Color	From	To
P45303-001	Gold	LTO power connector	LTO/RDX power connector on the tertiary riser
P49007-001	Orange	SAS connector of the LTO tape drive	Type-o storage controller port 1
	Blue	Box 3 port 1	

### Type-p controller



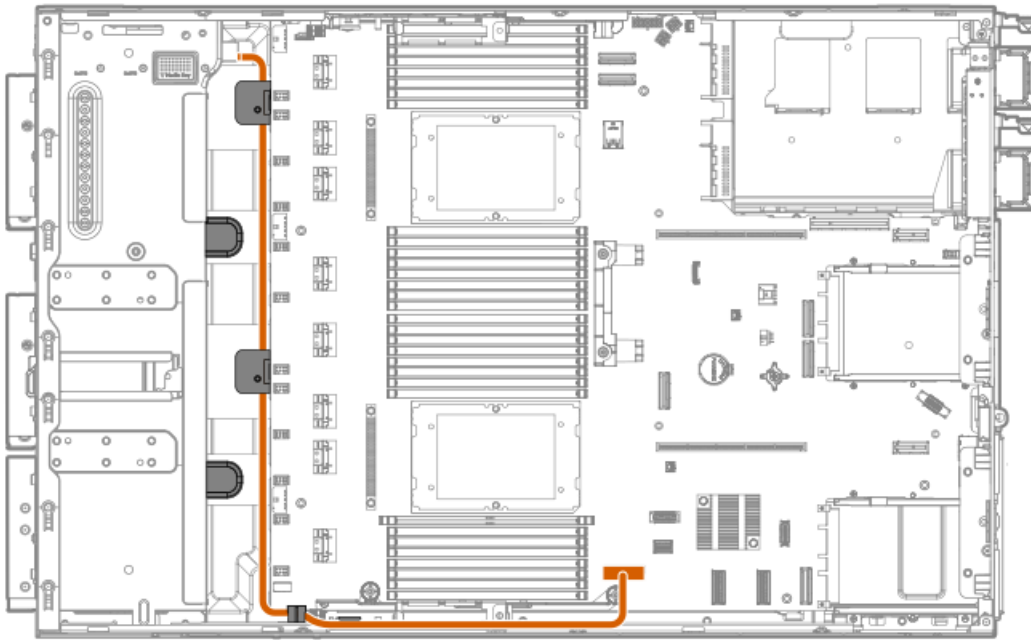
Cable part number	Color	From	To
P45303-001	Gold	LTO power connector	LTO/RDX power connector on the tertiary riser
P49006-001	Orange	SAS connector of the LTO tape drive	Type-p storage controller port 1
	Blue	Box 3 port 1	

## USB RDX docking station cabling



Cable part number	Color	From	To
P45303-001	Blue	RDX power connector	RDX power connector on the tertiary riser
876507-002	Orange	RDX USB port	USB 3.2 Gen 1 port

## Optical drive cabling



Cable part number	Color	From	To
756914-001 <sup>1</sup>	Orange	Optical drive	Optical drive SATA-power connector

<sup>1</sup> This cable ships with the optical drive option.

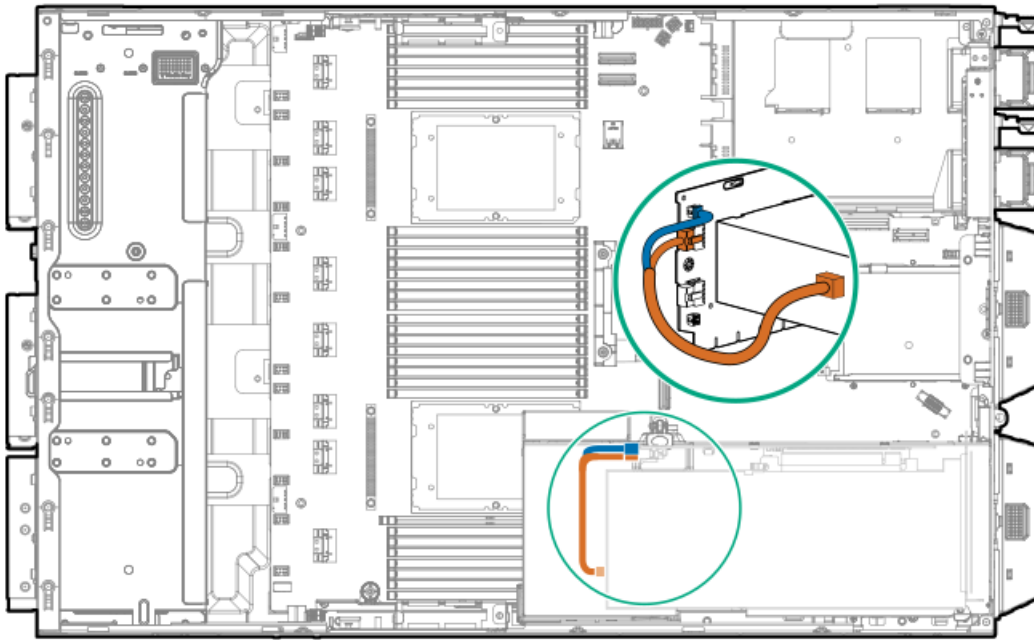
## GPU auxiliary power cabling

The exact route of the GPU auxiliary power cabling will depend on the:

- The riser cage where the GPU is installed.
- The location of the power connector on the GPU.

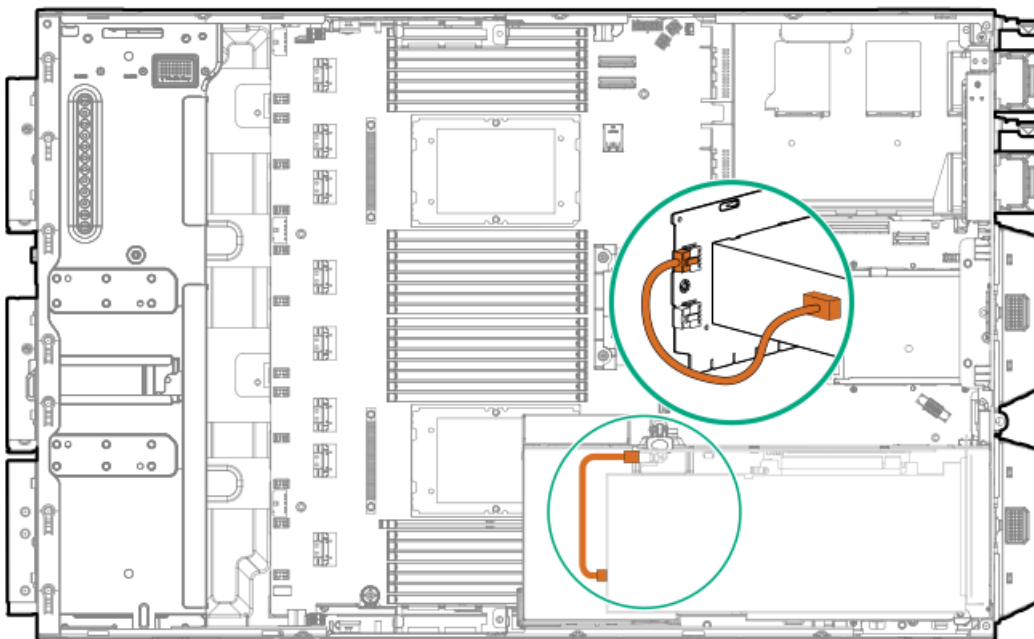
Use the following diagrams for reference only.

### 16-pin GPU auxiliary power Y-cable



Cable part number	Color	From	To
P58422-001	Orange	GPU power connector	<u>GPU auxiliary power connector on the PCIe 2 x16 riser</u>
	Blue		<u>GPU sideband connector on the PCIe 2 x16 riser</u>

### 8-pin GPU auxiliary power cable

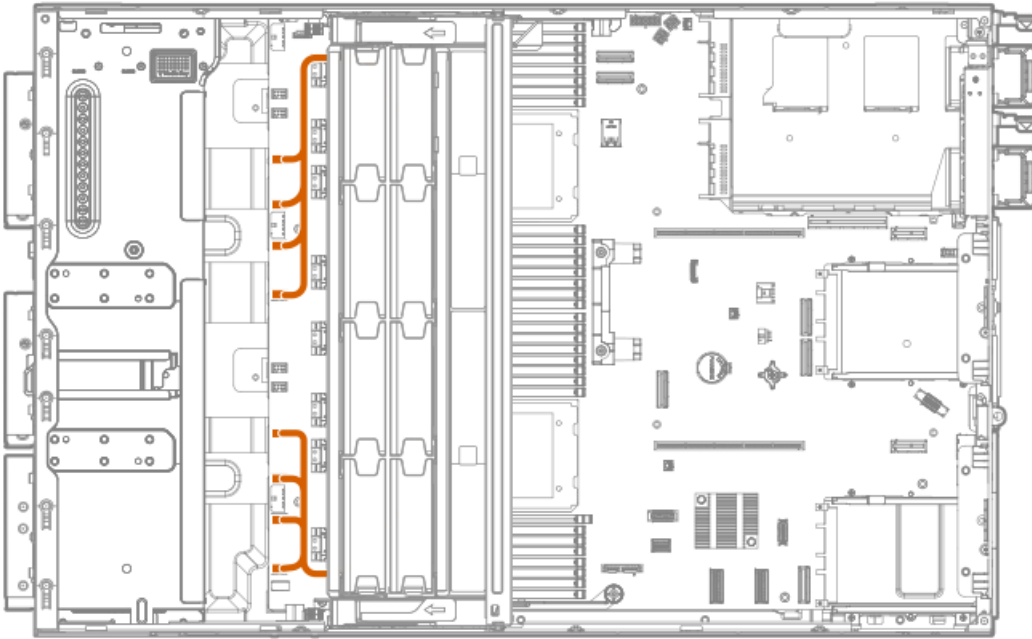


Cable part number	Color	From	To
869820-001	Orange	GPU power connector	<u>GPU auxiliary power connector on the PCIe 2 x16 riser</u>

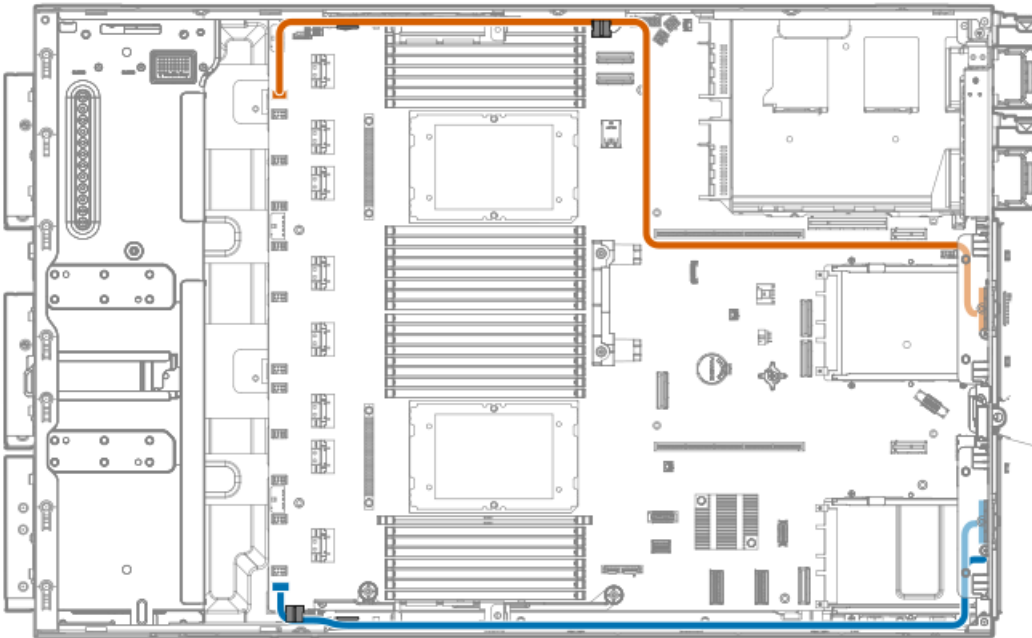


## Fan cabling

### Internal fans 1–8



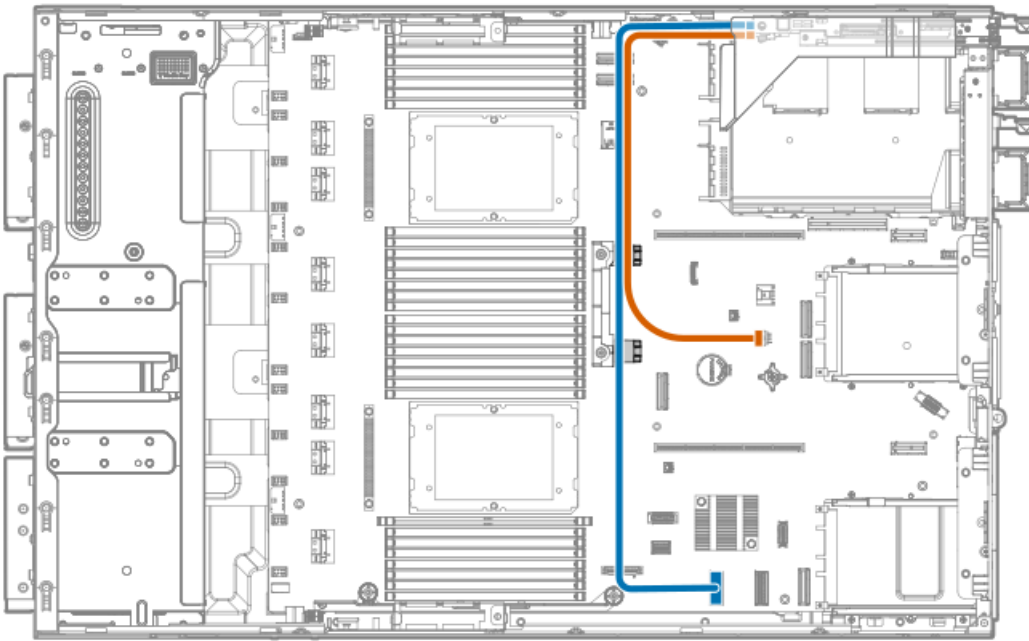
### External fans 9–10



Cable part number	Color	From	To
P45291-001	Orange	External fan 9	Fan connector 9
	Blue	External fan 10	Fan connector 10

## HPE NS204i-U Root Device cabling

## HP ML350 Gen11 & Boot Device Cabling

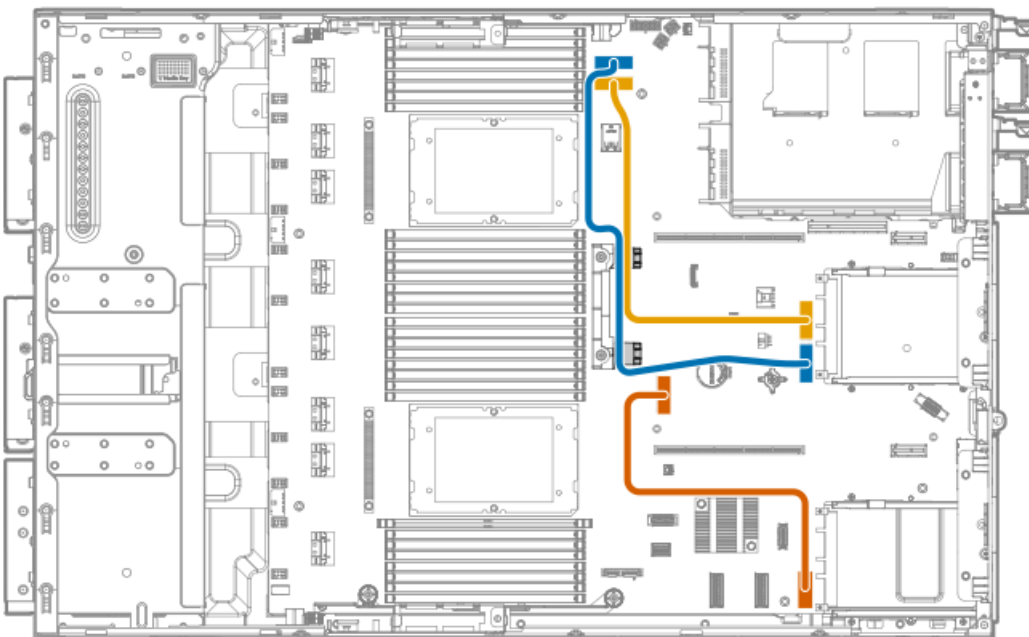


Cable part number	Color	From	To
P54092-001	Blue	Boot device signal connector	PCH LP SlimSAS port 1
P54089-001	Orange	Boot device power connector	NS204i-u power connector

## OCP upgrade cabling

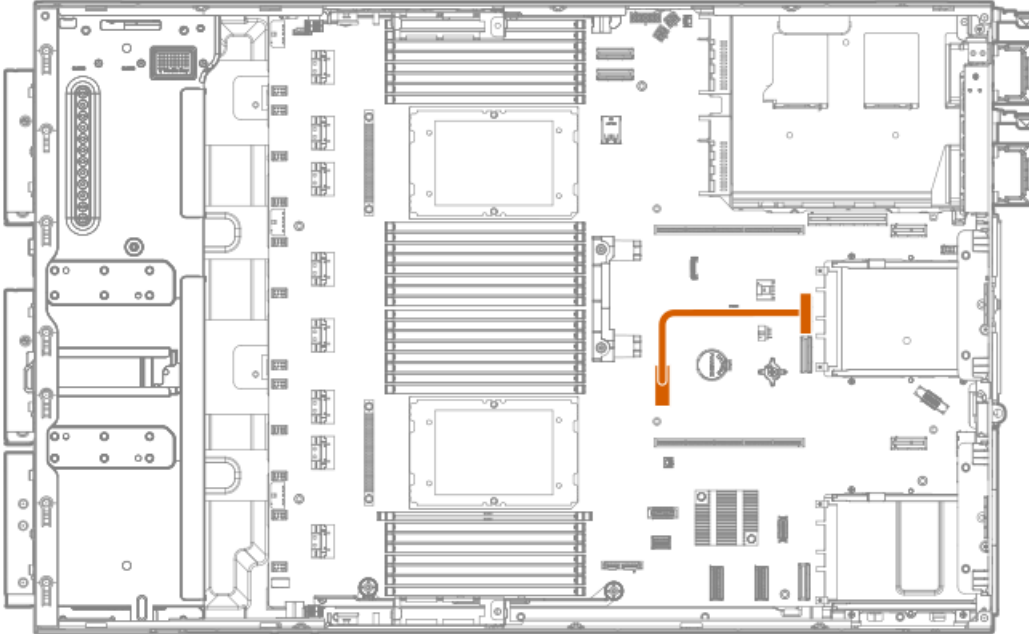
### OCP bandwidth upgrade cabling

The OCP bandwidth upgrade cable is required to support a x16 OCP expansion option.



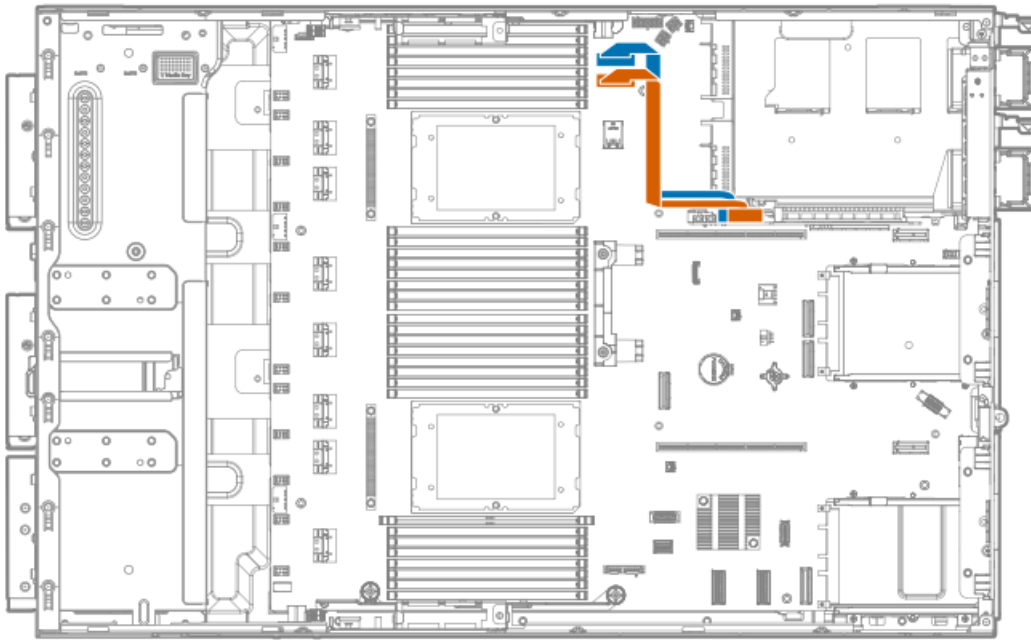
Cable part number	Color	From	To
P43734-001	Gold	CPU 2 MCIO port 1	Slot 15 OCP port 1
	Blue	CPU 2 MCIO port 2	Slot 15 OCP port 2
P43736-001	Orange	CPU 1 MCIO port 1	Slot 14 OCP port 2

### Dual OCP slot upgrade cabling for single-processor server



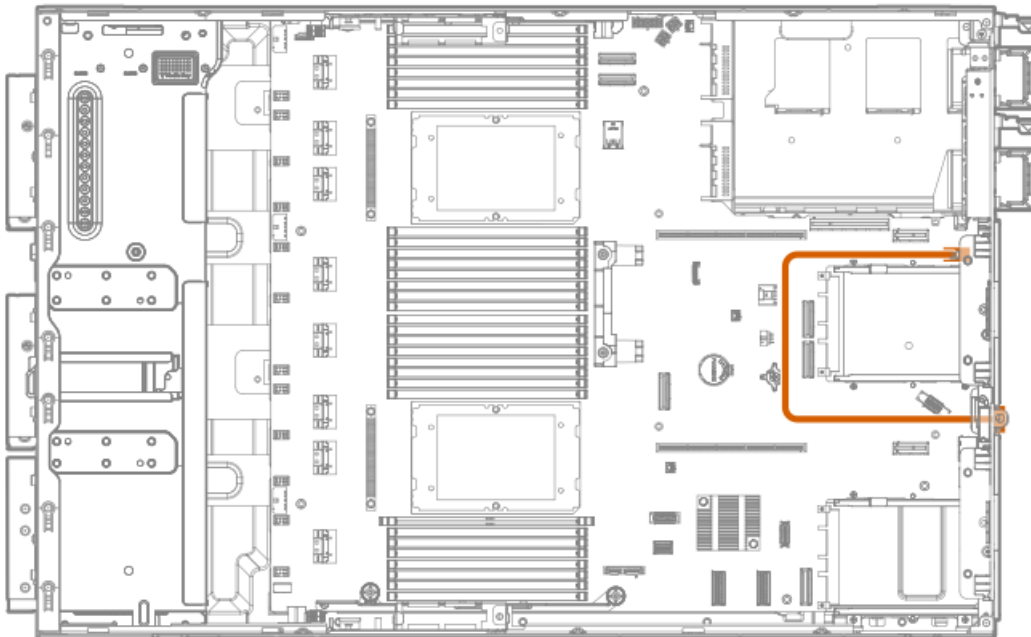
Cable part number	Color	From	To
P43735-001	Orange	CPU 1 MCIO port 1	Slot 15 OCP port 1

### Tertiary riser signal cabling



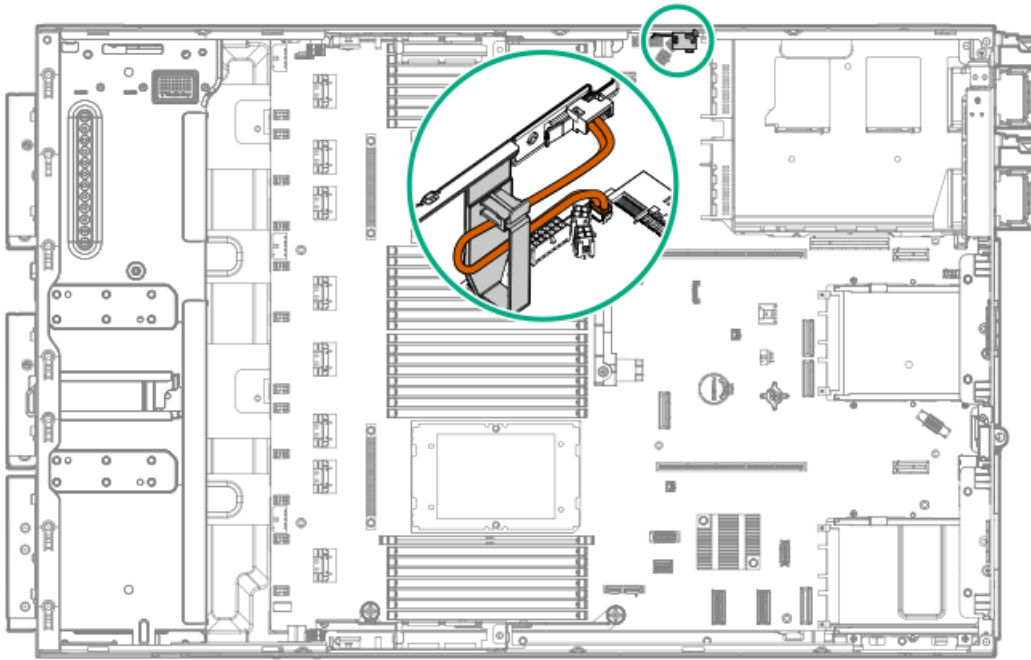
Cable part number	Color	From	To
P52240-001	Blue	CPU 2 MCIO port 2	PCIe SlimSAS port 3
	Orange	CPU 2 MCIO port 1	PCIe SlimSAS port 1

## Serial port cabling



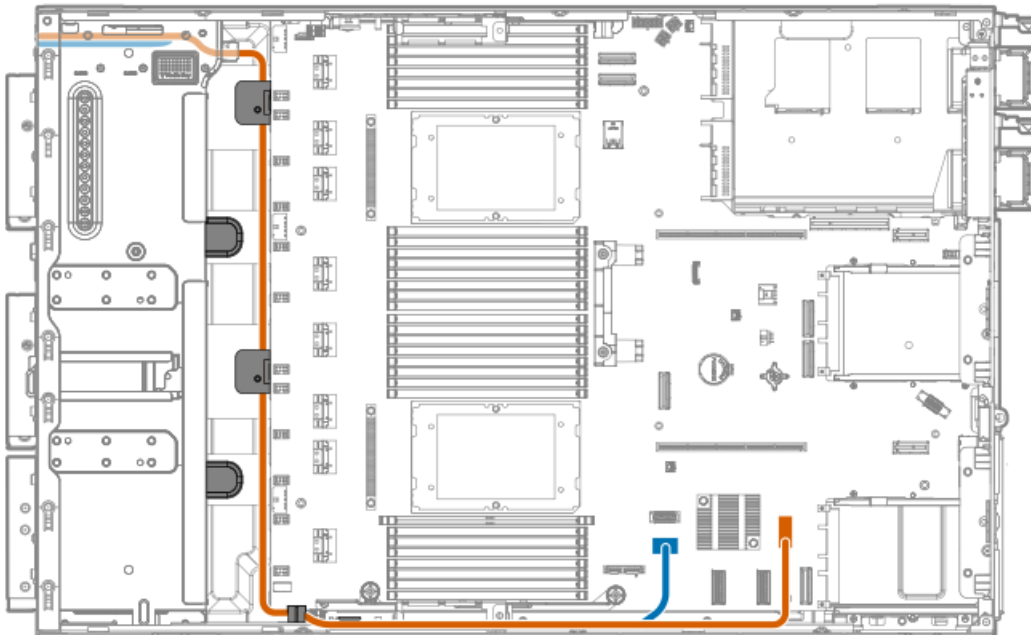
Cable part number	Color	From	To
P45623-001	Orange	Serial port	Serial port cable connector

## Chassis intrusion detection switch cabling



## Front I/O cabling

Front I/O cables are preinstalled in the server.



Cable part number	Color	From	To
P45292-001	Orange	Optical drive cage	DisplayPort connector
	Blue		Front I/O & USB 3.2 Gen 1 port connector

## Configuration resources

Use the following resources to find documentation for configuring and managing your server.

- Some utilities might not apply to your server. For information about server compatibility with the products listed in this chapter, see the product QuickSpecs (<https://www.hpe.com/info/quickspecs>).
- Products ordered from HPE Factory Express might have already been configured with some or all the configurations in this chapter. To determine if any additional setup is required, see your HPE Factory Express order.
- For one-stop access to version-specific software and firmware documentation, including the latest product release notes, see this quick links page:  
<https://www.hpe.com/support/hpeproductdocs-quicklinks>

### Subtopics

[Updating firmware or system ROM](#)

[Configuring the server](#)

[Configuring storage controllers](#)

[Managing the HPE NS204i-u Boot Device](#)

[Deploying an OS](#)

[Configuring security](#)

[Server management](#)

[Managing Linux-based high performance compute clusters](#)

## Updating firmware or system ROM

To	Use
Download service packs	<ul style="list-style-type: none"><li>• Service Pack for ProLiant (SPP) <a href="https://www.hpe.com/servers/spp/download">https://www.hpe.com/servers/spp/download</a></li><li>• Get an overview of SPP and its ecosystem <a href="https://www.hpe.com/support/SPP-overview-videos-en">https://www.hpe.com/support/SPP-overview-videos-en</a></li></ul>
Deploy service packs to a single server	Smart Update Manager (SUM) <a href="https://www.hpe.com/support/hpesmartupdatemanager-quicklinks">https://www.hpe.com/support/hpesmartupdatemanager-quicklinks</a>
Deploy service packs to multiple servers	HPE OneView <a href="https://www.hpe.com/support/hpeoneview-quicklinks">https://www.hpe.com/support/hpeoneview-quicklinks</a>
Updating iLO or system firmware in a single server or multiple servers	HPE iLO <a href="https://www.hpe.com/support/hpeilodocs-quicklinks">https://www.hpe.com/support/hpeilodocs-quicklinks</a>
<ul style="list-style-type: none"><li>• Enable policy-based management of server or server group firmware for distributed server infrastructure</li><li>• Monitor server compliance with a configured firmware baseline</li><li>• Receive automatic iLO firmware updates</li><li>• Receive baseline update alerts</li></ul>	HPE Compute Ops Management <a href="https://www.hpe.com/support/hpe-gl-com-quicklinks">https://www.hpe.com/support/hpe-gl-com-quicklinks</a>

# Configuring the server

To configure	Use
Single server (GUI)	<ul style="list-style-type: none"><li>• Intelligent Provisioning <a href="https://www.hpe.com/support/hpeintelligentprovisioning-quicklinks">https://www.hpe.com/support/hpeintelligentprovisioning-quicklinks</a></li><li>• iLO remote console or web interface <a href="https://www.hpe.com/support/hpeilodocs-quicklinks">https://www.hpe.com/support/hpeilodocs-quicklinks</a></li><li>• UEFI System Utilities <a href="https://www.hpe.com/support/hpeuefisystemutilities-quicklinks">https://www.hpe.com/support/hpeuefisystemutilities-quicklinks</a></li><li>• HPE Compute Ops Management <a href="https://www.hpe.com/support/hpe-gl-com-quicklinks">https://www.hpe.com/support/hpe-gl-com-quicklinks</a></li></ul>
Single server (scripting)	<ul style="list-style-type: none"><li>• RESTful Interface Tool <a href="https://www.hpe.com/support/restfulinterface/docs">https://www.hpe.com/support/restfulinterface/docs</a></li><li>• Python iLO Redfish Library (python-ilorest-library) <a href="https://github.com/HewlettPackard/python-ilorest-library">https://github.com/HewlettPackard/python-ilorest-library</a></li><li>• Scripting Tools for Windows Powershell <a href="https://www.hpe.com/info/powershell/docs">https://www.hpe.com/info/powershell/docs</a></li><li>• iLO RESTful API <a href="https://servermanagementportal.ext.hpe.com/">https://servermanagementportal.ext.hpe.com/</a></li><li>• HPE Compute Ops Management API <a href="https://developer.greenlake.hpe.com/">https://developer.greenlake.hpe.com/</a></li></ul>
Multiple servers (either UI or scripting)	<ul style="list-style-type: none"><li>• HPE OneView <sup>1</sup> <a href="https://www.hpe.com/support/hpeoneview-quicklinks">https://www.hpe.com/support/hpeoneview-quicklinks</a></li><li>• HPE Compute Ops Management <a href="https://www.hpe.com/support/hpe-gl-com-quicklinks">https://www.hpe.com/support/hpe-gl-com-quicklinks</a><ul style="list-style-type: none"><li>◦ <b>Server settings:</b> Define server-specific parameters such as firmware baselines, and then apply them to server groups.</li><li>◦ <b>Server groups:</b> Organize servers into custom-defined sets with associated server settings, and then apply group-specific policies to create a consistent configuration across the servers in the group.</li></ul></li></ul>

<sup>1</sup> For servers running HPE OneView, do not use another tool, such as iLO, to delete or change certain settings. For more information about using HPE OneView and iLO to manage the same server, see the iLO user guide at <https://www.hpe.com/support/hpeilodocs-quicklinks>.

## Configuring storage controllers

Controller type	Documentation
HPE SR Gen11 controllers	<p>HPE SR Gen11 Controller User Guide</p> <p><a href="https://hpe.com/support/SR-Gen11-UG">https://hpe.com/support/SR-Gen11-UG</a></p> <p>Configuration guides:</p> <ul style="list-style-type: none"><li>HPE Smart Storage Administrator GUI User Guide <a href="https://www.hpe.com/support/SSA-UG">https://www.hpe.com/support/SSA-UG</a></li><li>HPE Smart Storage Administrator CLI User Guide <a href="https://www.hpe.com/support/SSACLI-UG">https://www.hpe.com/support/SSACLI-UG</a></li></ul>
HPE MR Gen11 controllers	<p>HPE MR Gen11 Controller User Guide</p> <p><a href="https://hpe.com/support/MR-Gen11-UG">https://hpe.com/support/MR-Gen11-UG</a></p> <p>Configuration guides:</p> <ul style="list-style-type: none"><li>HPE MR Storage Administrator User Guide <a href="https://www.hpe.com/support/MRSA">https://www.hpe.com/support/MRSA</a></li><li>HPE StorCLI User Guide <a href="https://www.hpe.com/support/StorCLI">https://www.hpe.com/support/StorCLI</a></li></ul>
Intel VROC for HPE Gen11	<p>Intel Virtual RAID on CPU for HPE User Guide</p> <p><a href="https://hpe.com/support/VROC-Gen11-UG">https://hpe.com/support/VROC-Gen11-UG</a></p> <p>OS-specific configuration guides:</p> <ul style="list-style-type: none"><li>Intel Virtual RAID on CPU (Intel VROC) for Windows User Guide <a href="https://www.intel.com/content/dam/support/us/en/documents/memory-and-storage/338065_Intel_VROC_UserGuide_Windows.pdf">https://www.intel.com/content/dam/support/us/en/documents/memory-and-storage/338065_Intel_VROC_UserGuide_Windows.pdf</a></li><li>Intel Virtual RAID on CPU (Intel VROC) for Linux User Guide <a href="https://www.intel.com/content/dam/support/us/en/documents/memory-and-storage/linux-intel-vroc-userguide-333915.pdf">https://www.intel.com/content/dam/support/us/en/documents/memory-and-storage/linux-intel-vroc-userguide-333915.pdf</a></li><li>Intel Volume Management Device Driver for VMware ESXi User Guide <a href="https://www.intel.com/content/dam/support/us/en/documents/memory-and-storage/ESXi-Intel-VROC-UserGuide.pdf">https://www.intel.com/content/dam/support/us/en/documents/memory-and-storage/ESXi-Intel-VROC-UserGuide.pdf</a></li></ul>
Storage controller documents library	<p><a href="https://www.hpe.com/support/hpestoragecontrollerdocs-quicklinks">https://www.hpe.com/support/hpestoragecontrollerdocs-quicklinks</a></p>

## Managing the HPE NS204i-u Boot Device

For more information on supported features and maintenance information for the HPE NS204i-u Boot Device, see the HPE NS204i-u Boot Device User Guide:

<https://www.hpe.com/support/NS204-UG>



## Deploying an OS

For a list of supported operating systems, see the [HPE Servers Support & Certification Matrices](#):

<https://www.hpe.com/support/Servers-Certification-Matrices>

To	See
Deploy an OS using HPE Compute Ops Management	HPE Compute Ops Management User Guide <a href="https://www.hpe.com/support/hpe-gl-com-quicklinks">https://www.hpe.com/support/hpe-gl-com-quicklinks</a>
Deploy an OS using Intelligent Provisioning	Intelligent Provisioning user guide <a href="https://www.hpe.com/support/hpeintelligentprovisioning-quicklinks">https://www.hpe.com/support/hpeintelligentprovisioning-quicklinks</a>
Deploy an OS using iLO virtual media	iLO user guide <a href="https://www.hpe.com/support/hpeilodocs-quicklinks">https://www.hpe.com/support/hpeilodocs-quicklinks</a>
Configure the server to boot from a PXE server	UEFI System Utilities User Guide for HPE ProLiant Gen11 Servers and HPE Synergy <a href="https://www.hpe.com/support/UEFIGen11-UG-en">https://www.hpe.com/support/UEFIGen11-UG-en</a>
Configure the server to boot from a SAN	HPE Boot from SAN Configuration Guide <a href="https://www.hpe.com/info/boot-from-san-config-guide">https://www.hpe.com/info/boot-from-san-config-guide</a>

## Configuring security

To	See
Implement server security best practices.	<ul style="list-style-type: none"><li>HPE Compute Security Reference Guide <a href="https://www.hpe.com/info/server-security-reference-en">https://www.hpe.com/info/server-security-reference-en</a></li><li>HPE iLO 6 Security Technology Brief <a href="https://www.hpe.com/support/ilo6-security-en">https://www.hpe.com/support/ilo6-security-en</a></li></ul>
Configure and use the Server Configuration Lock feature on HPE Trusted Supply Chain servers and other servers that have the Server Configuration Lock feature enabled.	Server Configuration Lock User Guide for HPE ProLiant servers and HPE Synergy <a href="https://www.hpe.com/info/server-config-lock-UG-en">https://www.hpe.com/info/server-config-lock-UG-en</a>

## Server management

To monitor	See
Single server	HPE iLO <a href="https://www.hpe.com/support/hpeilodocs-quicklinks">https://www.hpe.com/support/hpeilodocs-quicklinks</a>
Multiple servers	HPE OneView <a href="https://www.hpe.com/support/hpeoneview-quicklinks">https://www.hpe.com/support/hpeoneview-quicklinks</a>
Single or multiple servers	HPE Compute Ops Management <a href="https://www.hpe.com/support/hpe-gl-com-quicklinks">https://www.hpe.com/support/hpe-gl-com-quicklinks</a>

## Managing Linux-based high performance compute clusters

To	Use
Provision, manage, and monitor clusters.	HPE Performance Cluster Manager <a href="https://www.hpe.com/support/hpcm_manuals">https://www.hpe.com/support/hpcm_manuals</a>
Optimize your applications.	HPE Performance Analysis Tools <a href="https://www.hpe.com/info/perftools">https://www.hpe.com/info/perftools</a>
Optimize software library for low latency and high bandwidth, both on-node and off-node, for point-to-point and collective communications.	HPE Cray Programming Environment User Guide <a href="https://www.hpe.com/info/cray-pe-user-guides">https://www.hpe.com/info/cray-pe-user-guides</a>

## Specifications

### Subtopics

[Environmental specifications](#)

[Limited operating inlet ambient temperature requirements](#)

[Mechanical specifications](#)

[Power supply specifications](#)

## Environmental specifications

Specifications	Value
<b>Temperature range</b>	—
Operating	10°C to 35°C (50°F to 95°F)
Nonoperating	-30°C to 60°C (-22°F to 140°F)
<b>Relative humidity (noncondensing)</b>	—
Operating	8% to 90% 28°C (82.4°F) maximum wet bulb temperature, noncondensing
Nonoperating	5% to 95% 38.7°C (101.7°F) maximum wet bulb temperature, noncondensing
<b>Altitude</b>	—
Operating	3050 m (10,000 ft) This value may be limited by the type and number of options installed. Maximum allowable altitude change rate is 457 m/min (1,500 ft/min).
Nonoperating	9144 m (30,000 ft) Maximum allowable altitude change rate is 457 m/min (1,500 ft/min).

## Standard operating support

10° to 35°C (50° to 95°F) at sea level with an altitude derating of 1.0°C per every 305 m (1.8°F per every 1,000 ft) above sea level to a maximum of 3,050 m (10,000 ft), no direct sustained sunlight. Maximum rate of change is 20°C/hr (36°F/hr). The upper limit and rate of change may be limited by the type and number of options installed.

System performance during standard operating support might be reduced in the following conditions:

- A fan failure occurs.
- The server operates above 30°C (86°F).

## Extended ambient operating support

For approved hardware configurations, the supported system inlet range is extended to be:

- 5° to 10°C (41° to 50°F) and 35° to 40°C (95° to 104°F) at sea level with an altitude derating of 1.0°C per every 175 m (1.8°F per every 574 ft) above 900 m (2,953 ft) to a maximum of 3050 m (10,000 ft).
- 40°C to 45°C (104°F to 113°F) at sea level with an altitude derating of 1.0°C per every 125 m (1.8°F per every 410 ft) above 900 m (2,953 ft) to a maximum of 3,050 m (10,000 ft).

The approved hardware configurations for this system are listed in the Extended Ambient Temperature Guidelines for Gen11 HPE ProLiant servers:

<https://www.hpe.com/support/ASHRAEGen11>

## Limited operating inlet ambient temperature requirements

The maximum operating inlet ambient temperature value for most components installed in the server is 35°C (95°F). However, installing some components in specific configurations is subject to temperature limitations. To ensure safe and reliable system operation, identify the limited operating inlet ambient temperature required for these configurations.

In the following tables, the processor thermal design power (TDP) is set at a default value. Use the UEFI System Utilities to adjust the TDP setting within preset limits—configurable TDP (cTDP).

From the System Utilities screen, select System Configuration > BIOS/Platform Configuration (RBSU) > Processor Options. Enter the number in milliwatt (mW) for the Processor RAPL wattage value field.

### Subtopics

[Limited operating inlet ambient temperature requirements for DDR5 4800 256 GB DIMM](#)

[Limited operating inlet ambient temperature requirements for HPE InfiniBand HDR100 / Ethernet 100GB 2-port QSFP56 PCIe4 x16](#)

[Adapter](#)

[Limited operating inlet ambient temperature requirements for HPE NS204i-u Boot Device](#)

[Limited operating inlet ambient temperature requirements for drive options](#)

## Limited operating inlet ambient temperature requirements for DDR5 4800 256 GB DIMM

The following temperature values are valid for all drive configurations.

Fan presence	Fan redundancy	Maximum inlet ambient temperature
Fans 2-4	Not supported	25°C (77°F)
Fans 1-4	Not supported	25°C (77°F)
Fans 1-8	Supported	30°C (86°F)

## Limited operating inlet ambient temperature requirements for HPE InfiniBand HDR100 / Ethernet 100GB 2-port QSFP56 PCIe4 x16 Adapter

AOC stands for active optical cable, while DAC stands for direct attach copper cable.



### IMPORTANT

High-bandwidth HDR InfiniBand and Ethernet adapters might cause the fans to operate at high speeds to maintain optimum system cooling. This high-speed fan operation can generate excessive fan noise and lead the system to be on standby mode.

Drive configuration	Cable type	Processor TDP	Maximum inlet ambient temperature
4 LFF / 8 SFF	DAC	All	30°C (86°F)
	AOC	≤ 270 W	30°C (86°F)
		> 270 W	25°C (77°F)
8 LFF / 16 SFF	DAC	All	30°C (86°F)
	AOC	≤ 270 W	30°C (86°F)
		> 270 W	25°C (77°F)
8 NVMe x4	DAC	All	30°C (86°F)
	AOC	All	25°C (77°F)
12 LFF / 24 SFF	DAC	All	30°C (86°F)
	AOC	All	25°C (77°F)

## Limited operating inlet ambient temperature requirements for HPE NS204i-u Boot Device

**IMPORTANT**

When used in high performance compute workloads, the HPE NS204i-u Boot Device might cause the fans to operate at high speeds to maintain optimum system cooling. This high-speed fan operation can generate excessive fan noise and lead the system to be on standby mode.

Drive configuration	Fan configuration	Maximum inlet ambient temperature
4 LFF / 8 SFF	Four fans (Fans 1–4), nonredundant	30°C (86°F)
	Eight fans (Fans 1–8), redundant	30°C (86°F)
8 LFF / 16 SFF	Four fans (Fans 1–4), nonredundant	30°C (86°F)
	Eight fans (Fans 1–8), redundant	30°C (86°F)
8 NVMe x4	Four fans (Fans 1–4), nonredundant	30°C (86°F)
	Eight fans (Fans 1–8), redundant	30°C (86°F)
12 LFF / 24 SFF	Four fans (Fans 1–4), nonredundant	25°C (77°F)
	Eight fans (Fans 1–8), redundant	30°C (86°F)

## Limited operating inlet ambient temperature requirements for drive options

For limited operating inlet ambient temperature requirements on a specific high-power consumption SFF drive, see the server QuickSpecs on the Hewlett Packard Enterprise (<https://www.hpe.com/info/quickspecs>).

Drive option	Fan presence	Maximum inlet ambient temperature
High-power consumption SFF drive	Internal fans 1-8	30°C (86°F)
12 E3.S drive in drive box 3	Internal fans 1-8	25°C (77°F)
	External fans 9-10	

## Mechanical specifications

### Tower orientation

Specification	Value
<b>Dimensions</b>	—
Height (with chassis feet)	46.2 cm (18.19 in)
Depth	71.26 cm (28.06 in)
Width	17.4 cm (6.85 in)
<b>Weight, approximate values</b>	—
Minimum	23.48 kg (51.76 lb)
Maximum	36.61 kg (80.71 lb)

### Rack orientation

Specification	Value
<b>Dimensions</b>	—
Height	17.4 cm (6.85 in)
Depth	71.26 cm (28.06 in)
Width	44.50 cm (17.52 in)
<b>Weight, approximate values</b>	—
Minimum	23.48 kg (51.76 lb)
Maximum	36.61 kg (80.71 lb)

## Power supply specifications

Depending on the installed options and the regional location where the server was purchased, the server can be configured with one of the following power supplies. For detailed power supply specifications, see the QuickSpecs on the [Hewlett Packard Enterprise website](#).

### Subtopics

[HPE 500 W Flex Slot Platinum Hot-plug Low Halogen Power Supply](#)

[HPE 800 W Flex Slot Platinum Hot-plug Low Halogen Power Supply](#)

[HPE 1000 W Flex Slot Titanium Hot-plug Power Supply](#)

[HPE 1600 W Flex Slot Platinum Hot-plug Low Halogen Power Supply](#)

[HPE 1600 W Flex Slot -48 VDC Hot-plug Power Supply](#)

[HPE 1800-2200 W Flex Slot Titanium Power Supply](#)

## HPE 500 W Flex Slot Platinum Hot-plug Low Halogen Power Supply

Specification	Value
<b>Input requirements</b>	—
Rated input voltage	100 VAC to 240 VAC 240 VDC for China
Rated input frequency	50 Hz to 60 Hz Not applicable to 240 VDC
Rated input current	5.8 A at 100 VAC 2.8 A at 200 VAC 2.4 A at 240 VDC for China
Maximum rated input power	580 W at 100 VAC 560 W at 200 VAC 558 W at 240 VDC for China
BTUs per hour	1999 at 100 VAC 1912 at 200 VAC 1904 at 240 VDC for China
<b>Power supply output</b>	—
Rated steady-state power	500 W at 100 VAC to 127 VAC input 500 W at 100 VAC to 240 VAC input 500 W at 240 VDC input for China
Maximum peak power	500 W at 100 VAC to 127 VAC input 500 W at 100 VAC to 240 VAC input 500 W at 240 VDC input for China

## HPE 800 W Flex Slot Platinum Hot-plug Low Halogen Power Supply

Specification	Value
<b>Input requirements</b>	—
Rated input voltage	100 VAC to 127 VAC 200 VAC to 240 VAC 240 VDC for China only
Rated input frequency	50 Hz to 60 Hz Not applicable to 240 VDC
Rated input current	9.4 A at 100 VAC 4.5 A at 200 VAC 3.8 A at 240 VDC for China only
Maximum rated input power	940 W at 100 VAC 900 W at 200 VAC 897 W at 240 VDC for China only
BTUs per hour	3067 at 100 VAC 2958 at 200 VAC 2949 at 240 VAC for China only
<b>Power supply output</b>	—
Rated steady-state power	800 W at 100 VAC to 127 VAC input 800 W at 100 VAC to 240 VAC input 800 W at 240 VDC input for China only
Maximum peak power	800 W at 100 VAC to 127 VAC input 800 W at 100 VAC to 240 VAC input 800 W at 240 VDC input for China only

## HPE 1000 W Flex Slot Titanium Hot-plug Power Supply



Specification	Value
<b>Input requirements</b>	—
Rated input voltage	100 VAC to 127 VAC 200 VAC to 240 VAC 240 VDC for China
Rated input frequency	50 Hz to 60 Hz
Rated input current	11.3 A at 100 VAC 6.1 A at 200 VAC
Maximum rated input power	1130 W at 100 VAC 1090 W at 200 VAC
BTUs per hour	3764 at 100 VAC 3629 at 200 VAC
<b>Power supply output</b>	—
Rated steady-state power	1000 W at 100 VAC to 127 VAC 1000 W at 200 VAC to 240 VAC input
Maximum peak power	1000 W at 100 VAC to 127 VAC 1000 W at 200 VAC to 240 VAC

## HPE 1600 W Flex Slot Platinum Hot-plug Low Halogen Power Supply

Specification	Value
<b>Input requirements</b>	—
Rated input voltage	200 VAC to 240 VAC 240 VDC for China only
Rated input frequency	50 Hz to 60 Hz
Rated input current	8.7 A at 200 VAC 7.5 A at 230 VAC 7.2 A at 240 VDC
Maximum rated input power	1734 W at 200 VAC 1720 W at 240 VAC
BTUs per hour	5918 at 200 VAC 5891 at 230 VAC
<b>Power supply output</b>	—
Rated steady-state power	1600 W at 200 VAC to 240 VAC input 1600 W at 240 VDC input
Maximum peak power	1600 W for 1 ms (turbo mode) at 200 VAC to 240 VAC input

## HPE 1600 W Flex Slot -48 VDC Hot-plug Power Supply

Specification	Value
<b>Input requirements</b>	—
Rated input voltage	-40 VDC to -72 VDC
Rated input frequency	DC
Nominal input current	45 A DC at -40 VDC input 36.6 A DC at -48 VDC input 24.4 A DC at -72 VDC input
Maximum Rated Input Wattage Rating	1798 W at -40 VDC input 1758 W at -48 VDC input 1755 W at -72 VDC input
BTUs per hour	6026 at -40 VDC input 6000 at -48 VDC input 5989 at -72 VDC input
<b>Power supply output</b>	—
Rated steady-state power	1600 W at -40 VDC to -72 VDC
Maximum peak power	1600 W at -40 VDC to -72 VDC

## HPE 1800-2200 W Flex Slot Titanium Power Supply

Specification	Value
<b>Input requirements</b>	—
Rated input voltage	200 VAC to 240 VAC 240 VDC for China only
Rated input frequency	50 Hz to 60 Hz
Rated input current	10 A at 200 VAC 10 A at 240 VAC 10 A at 240 VDC for China only
Maximum rated input power	1946 W at 200 VAC 2375 W at 240 VAC 2375 W at 240 VDC for China only
BTUs per hour	6497 at 200 VAC 7962 at 240 VAC
<b>Power supply output</b>	—
Rated steady-state power	1800 W at 200 VAC 2200 W at 240 VAC
Maximum peak power	2200 W for 1 ms (turbo mode) at 200 VAC to 240 VAC input

## Websites

### General websites

Single Point of Connectivity Knowledge (SPOCK) Storage compatibility matrix

<https://www.hpe.com/storage/spock>

Product white papers and analyst reports

<https://www.hpe.com/us/en/resource-library>

For additional websites, see [Support and other resources](#).

### Product websites

HPE ProLiant ML350 Gen11 Server user documents

<https://www.hpe.com/info/ml350gen11-docs>

## Support and other resources

- [Accessing Hewlett Packard Enterprise Support](#)
- [Accessing updates](#)
- [Remote support](#)
- [Warranty information](#)
- [Regulatory information](#)
- [Documentation feedback](#)

### Subtopics

[Accessing Hewlett Packard Enterprise Support](#)

[Accessing updates](#)

[Remote support](#)

[Warranty information](#)

[Regulatory information](#)

[Documentation feedback](#)

## Accessing Hewlett Packard Enterprise Support

- For live assistance, go to the Contact Hewlett Packard Enterprise Worldwide website:  
<https://www.hpe.com/info/assistance>
- To access documentation and support services, go to the Hewlett Packard Enterprise Support Center website:  
<https://www.hpe.com/support/hpesc>

### Information to collect

- Technical support registration number (if applicable)

- Product name, model or version, and serial number
- Operating system name and version
- Firmware version
- Error messages
- Product-specific reports and logs
- Add-on products or components
- Third-party products or components

## Accessing updates

- Some software products provide a mechanism for accessing software updates through the product interface. Review your product documentation to identify the recommended software update method.

- To download product updates:

Hewlett Packard Enterprise Support Center

<https://www.hpe.com/support/hpesc>

My HPE Software Center

<https://www.hpe.com/software/hpesoftwarecenter>

- To subscribe to eNewsletters and alerts:

<https://www.hpe.com/support/e-updates>

- To view and update your entitlements, and to link your contracts and warranties with your profile, go to the Hewlett Packard Enterprise Support Center More Information on Access to Support Materials page:

<https://www.hpe.com/support/AccessToSupportMaterials>



### IMPORTANT

Access to some updates might require product entitlement when accessed through the Hewlett Packard Enterprise Support Center. You must have an HPE Account set up with relevant entitlements.

## Remote support

Remote support is available with supported devices as part of your warranty or contractual support agreement. It provides intelligent event diagnosis, and automatic, secure submission of hardware event notifications to Hewlett Packard Enterprise, which initiates a fast and accurate resolution based on the service level of your product. Hewlett Packard Enterprise strongly recommends that you register your device for remote support.

If your product includes additional remote support details, use search to locate that information.

HPE Get Connected

<https://www.hpe.com/services/getconnected>

HPE Tech Care Service

<https://www.hpe.com/services/techcare>

HPE Complete Care Service

## Warranty information

To view the warranty information for your product, see the [warranty check tool](#).

## Regulatory information

To view the regulatory information for your product, view the Safety and Compliance Information for Server, Storage, Power, Networking, and Rack Products, available at the Hewlett Packard Enterprise Support Center:

<https://www.hpe.com/support/Safety-Compliance-EnterpriseProducts>

## Additional regulatory information

Hewlett Packard Enterprise is committed to providing our customers with information about the chemical substances in our products as needed to comply with legal requirements such as REACH (Regulation EC No 1907/2006 of the European Parliament and the Council). A chemical information report for this product can be found at:

<https://www.hpe.com/info/reach>

For Hewlett Packard Enterprise product environmental and safety information and compliance data, including RoHS and REACH, see:

<https://www.hpe.com/info/ecodata>

For Hewlett Packard Enterprise environmental information, including company programs, product recycling, and energy efficiency, see:

<https://www.hpe.com/info/environment>

## Documentation feedback

Hewlett Packard Enterprise is committed to providing documentation that meets your needs. To help us improve the documentation, use the Feedback button and icons (at the bottom of an opened document) on the Hewlett Packard Enterprise Support Center portal (<https://www.hpe.com/support/hpesc>) to send any errors, suggestions, or comments. This process captures all document information.